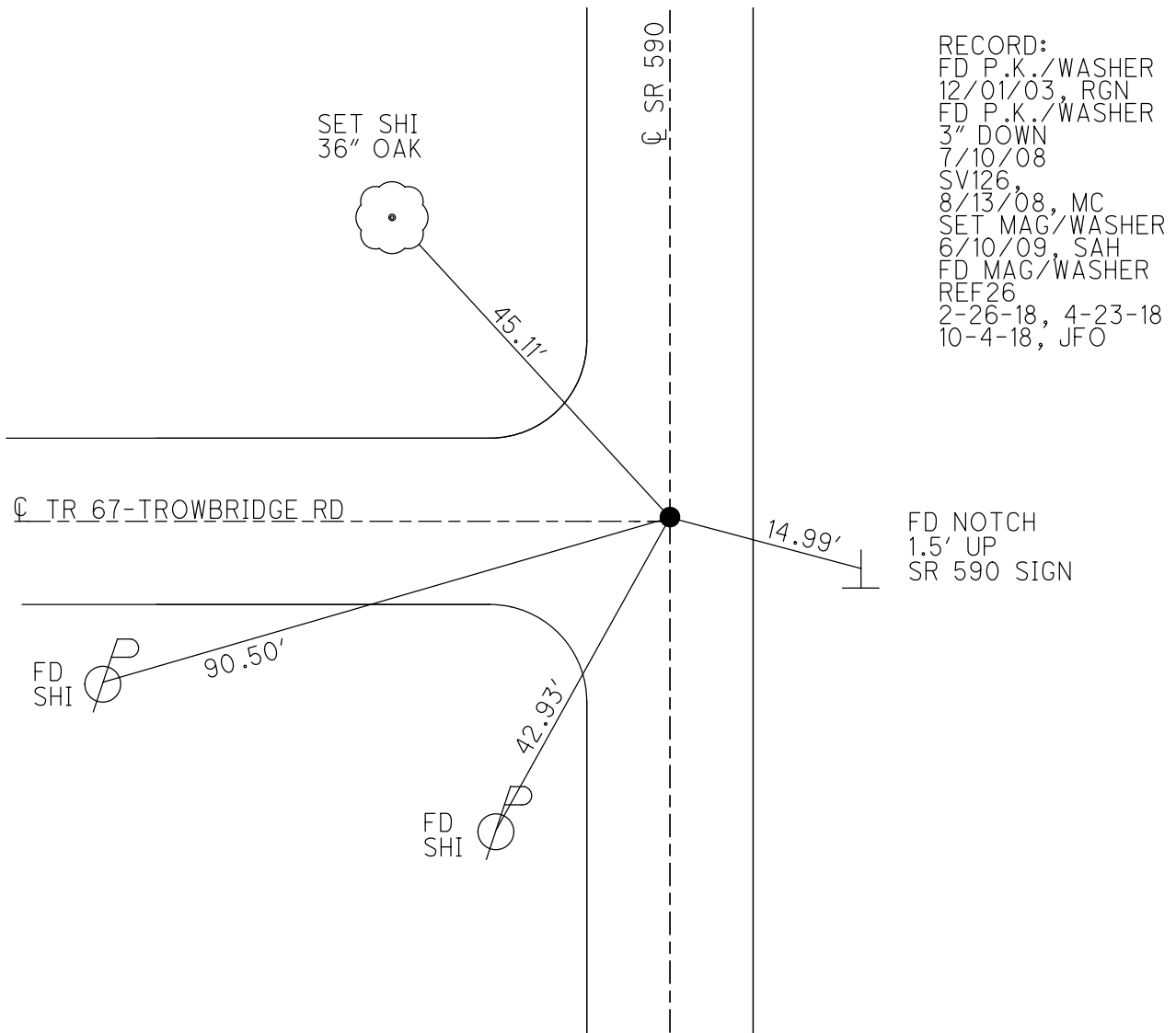
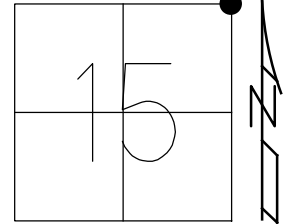


O.D.O.T. DISTRICT 2 SURVEY OFFICE (USE ONLY)

PERSONNEL _____ REFERENCE NO. 26 SHEET 28 OF 30
 NOTES RHOADES DATE 2/26/18 ROUTE SR 590
 H.C. O'DONNELL WEATHER SUNNY COUNTY OTTAWA
 R.C. RHOADES TEMP. 48° TOWNSHIP BENTON
 DWG BY MILLER PID 101240 SECTION 15
 T 7 N R 14 E

TYPE MONUMENT MAG/WASHER
 ON SURFACE - ~~BELOW~~ ON _____
 OFFSET C PAVEMENT 0.8' LT : ~~RT~~
10.4' TO RT EDGE PAVEMENT
 STATION: 426+47

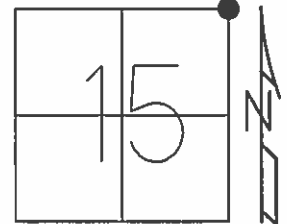
HORZ.DATUM: NAD83-2011 GEOID: NAVD88-2012A
 GRID: NORTHING: 695984.719 EASTING: 1770941.998



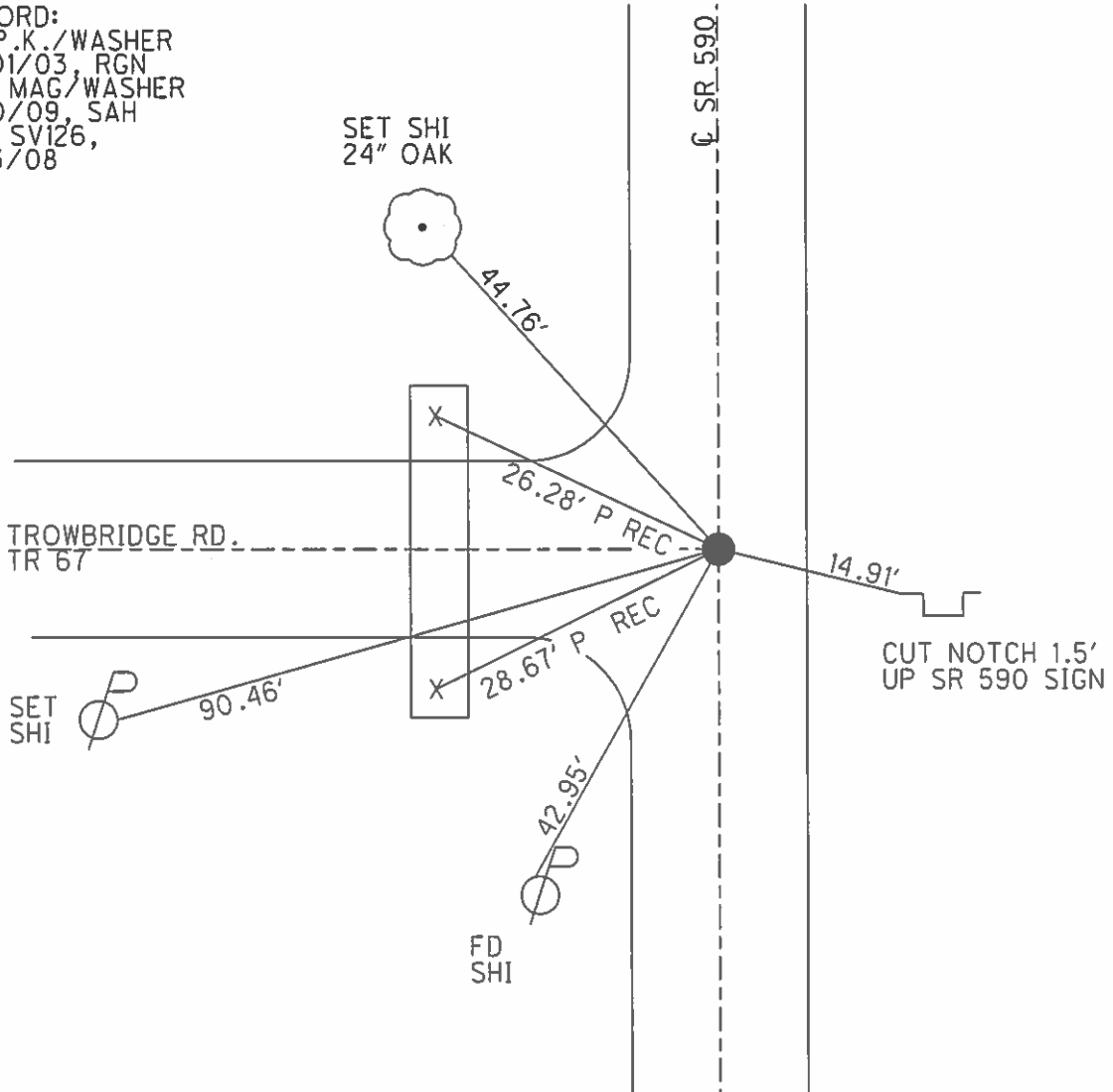
O.D.O.T. DISTRICT 2 SURVEY OFFICE (USE ONLY)

PERSONNEL _____ REFERENCE NO. 26 SHEET 28 OF 30
 NOTES CANTERBURY DATE 7/10/08 ROUTE SR 590
 H.C. HUSS WEATHER FAIR/WINDY COUNTY OTTAWA
 R.C. CANTERBURY TEMP. 78° TOWNSHIP BENTON
 _____ SECTION 15
 _____ T 7 N R 14 E

TYPE MONUMENT P.K./WASHER
~~ON SURFACE~~ - BELOW 3"
 LEFT - ☉ PAV'T - ~~RIGHT~~ 0.8 (1.1' NORTH OF C.R. 67)
10.4' TO RT EDGE PAVEMENT
 S.L.M. 426+47
 GRID: NORTHING: 695984.638 EASTING: 1770941.960



RECORD:
 FD P.K./WASHER
 12/01/03, RGN
 SET MAG/WASHER
 6/10/09, SAH
 GPS SV126,
 8/13/08



O.D.O.T. DISTRICT 2 SURVEY OFFICE

PERSONNEL _____

REFERENCE NO. 26

SHEET 3 OF 3

NOTES BARNHISEL

H.C. PEUNTY

R.C. SLOVAK

DATE 9-14-94

WEATHER clear - Windy

TEMP. +85°

ROUTE 590

COUNTY OTTAWA

TOWNSHIP BENTON

SECTION 15

T. 7 N R. 14 E

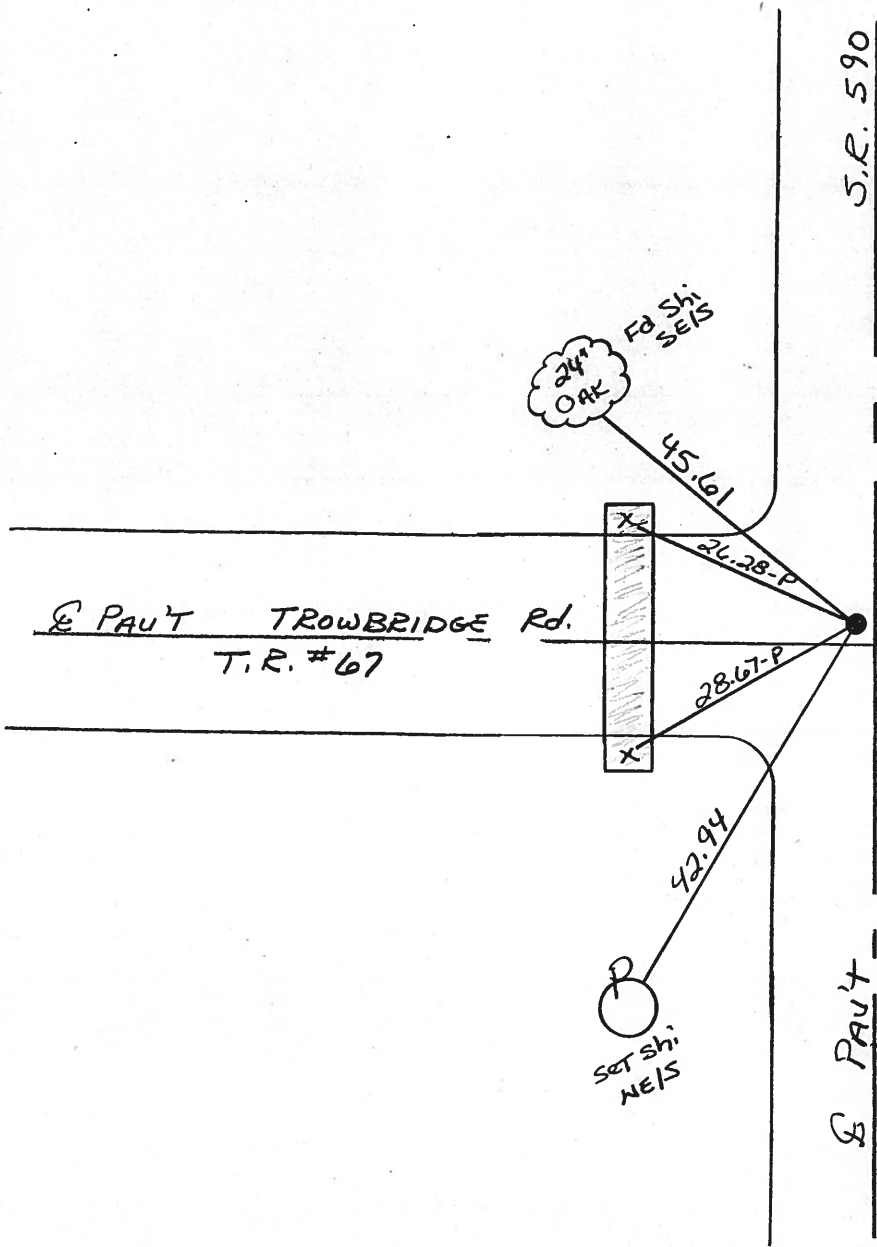
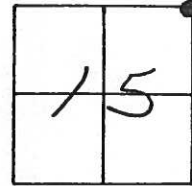
TYPE MONUMENT P.K. & WASHER

~~ON SURFACE~~ - BELOW 3"

LEFT-~~E~~ PAU'T. - ~~RIGHT~~ 0.9

10.4 TO RT EDGE PAVEMENT

S.L.M. 426+69.36 ^{MEAN} (426+69.70) ^{PLAN} 1/1 NORTH & WEST



O.D.O.T. DISTRICT 2 SURVEY OFFICE

PERSONNEL

REFERENCE NO. 26

SHEET 9 OF 1

NOTES Ripple

H.C. BARBOUR

DATE 8/06/90 DRAWN 8/08/90

ROUTE SR#590

R.C. Geyman

WEATHER Cloudy

COUNTY OTTAWA

TEMP. 62°

TOWNSHIP Benton

SECTION 10, 11, 14 & 15

T 7 N R 14 E

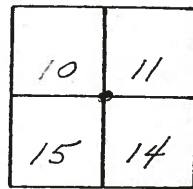
TYPE MONUMENT Dig when Needed

ON SURFACE - BELOW P.K. Washer & Top RR. Spike

LEFT - ☉ PAV'T. - RIGHT ☉ P.V.T.

TO EDGE PAVEMENT

S.L.M. 8.10



Plant sta 426+69.70

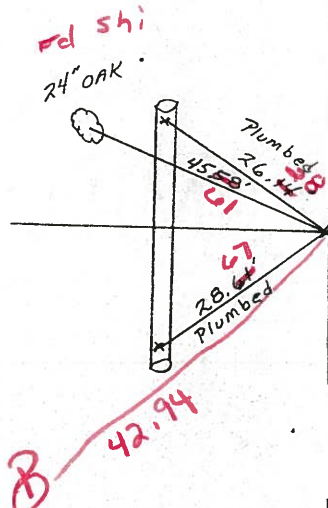
0.9 LT ☉

1.1 N. OF ☉ WEST

10.4 LT OF RT EDGE

3" down

Trowbridge Rd.
T.R # 67



Fd P.K. & WASHER
3" down
9-12-94

d. SR. #590

O.D.O.T. DISTRICT 2 SURVEY OFFICE

PERSONNEL

REFERENCE NO. 26

SHEET 9 OF 1

NOTES Ripple

H.C. BARBOUR

DATE 8/06/90 DRAWN 8/08/90

ROUTE SR #590

R.C. Geyman

WEATHER Cloudy

COUNTY OTTAWA

TEMP. 62°

TOWNSHIP BENTON

SECTION 10, 11, 14 & 15

T 7 N R 14 E

TYPE MONUMENT Dig when Needed

ON SURFACE - BELOW P.K. Washer A Top RR. Spike

LEFT - € PAV'T. - RIGHT € P.V.T.

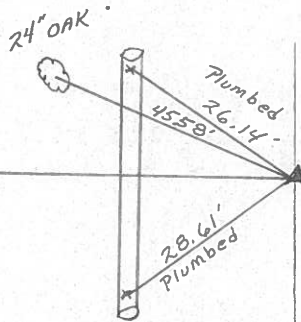
TO EDGE PAVEMENT

S.L.M. _____

10	11
15	14



Trowbridge Rd.
T.R # 67



d. SR. #590

County Ottawa S.R. # 590

Township Benton

Section 10, 11, 14 & 15

TZN, R/4E

Personnel Cronin - Draw

Ripple

Geyman

Mosser

Barbour

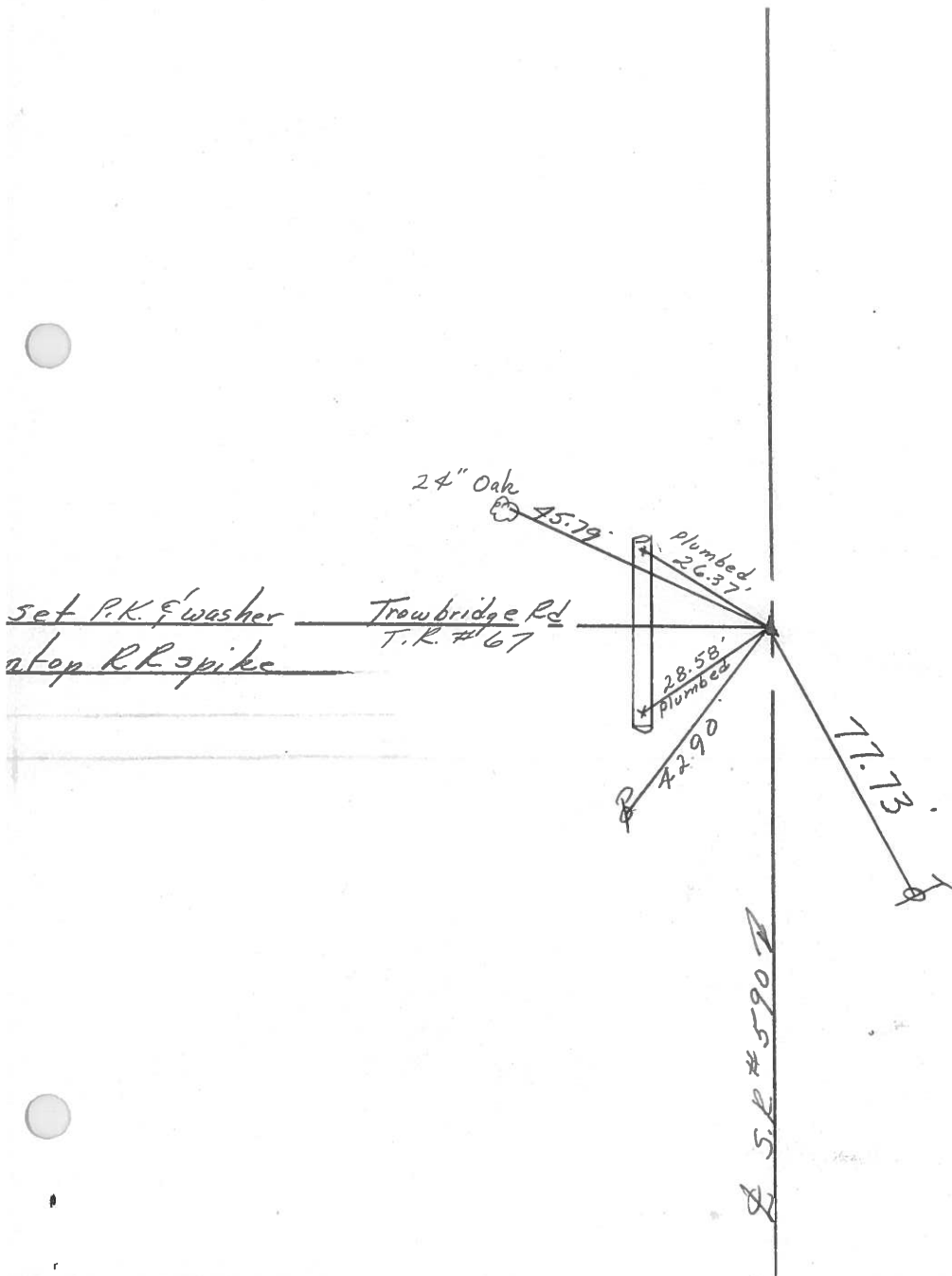
26

Date 7/19/82 Drawn 8/5/82

Weather sunny-humid

Temp. 85°

10	11
15	14



PERSONNEL TITLE PERSONNEL TITLE

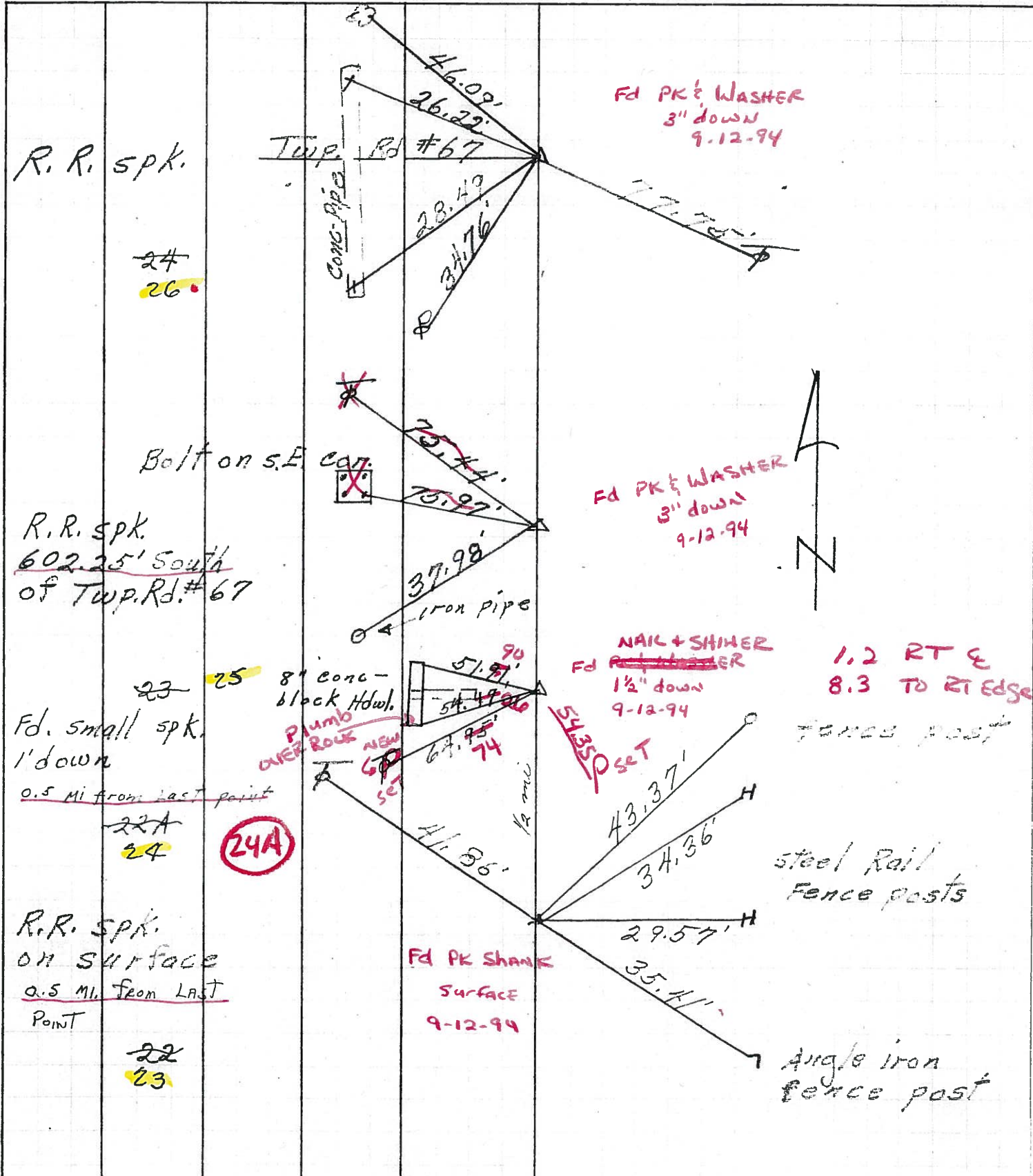
COUNTY Ottawa DATE 7-27-71

S. R. 590 WEATHER Fair

SEC. 15 & 14 TEMP. 75°

DESCRIPTION S.R.#163 to S.R.#2 Benton Twp. JOB NO. _____

LEFT CENTER LINE RIGHT



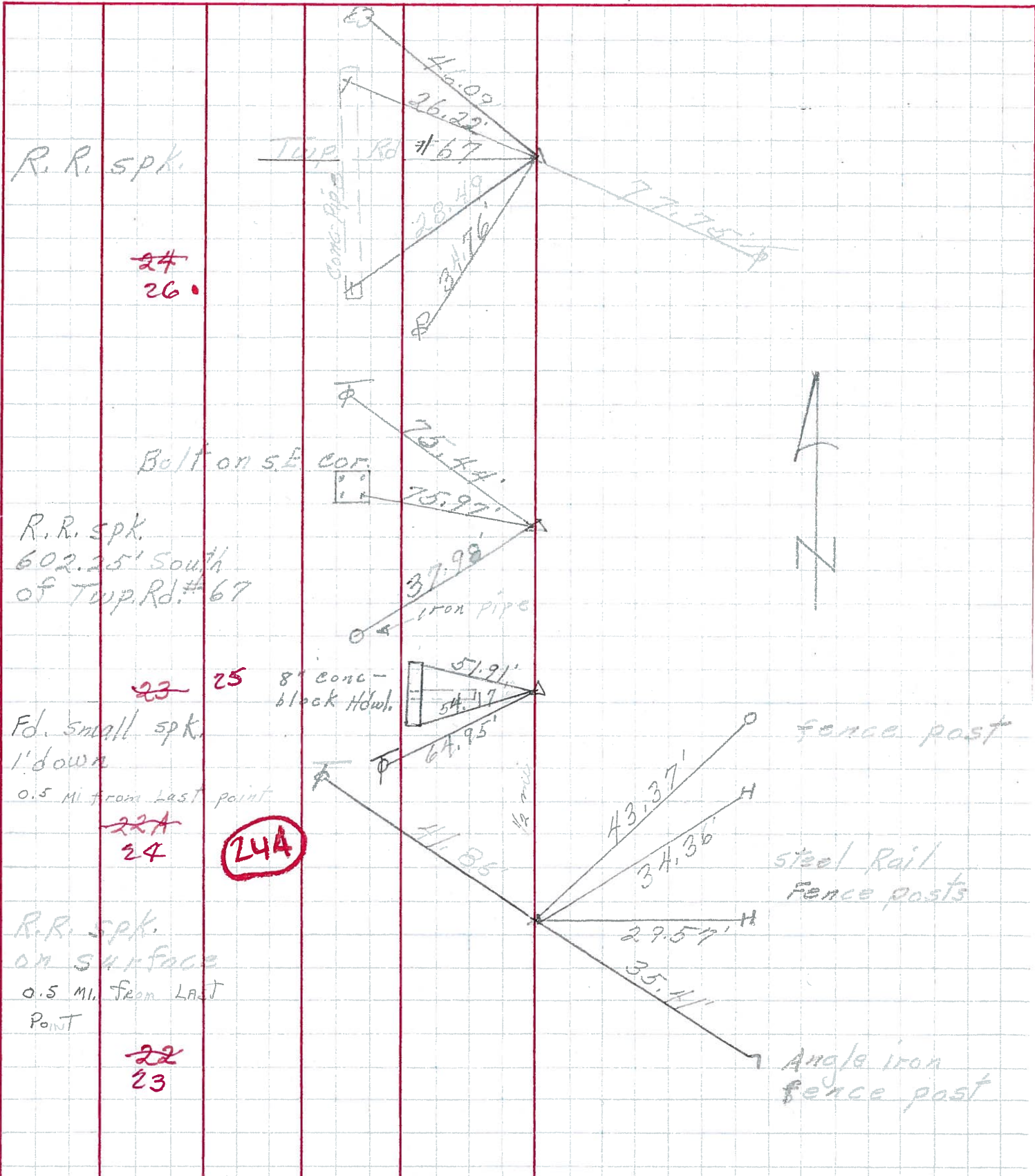
PERSONNEL TITLE PERSONNEL TITLE

COUNTY Ottawa DATE 7-27-71

S. R. 590 WEATHER Fair

SEC. 15 E 14 TEMP. 75°

DESCRIPTION S.R.#163 to S.R.#2 Benton Twp. JOB NO. _____



24
26

23 25

22A
24

24A

22
23

PERSONNEL TITLE PERSONNEL TITLE

Schneider

Mosser

Barbour

COUNTY Ottawa

DATE 6-21-68

S. R. 590

WEATHER Cloudy-wind

SEC. S.R. #163 to S.R. 2

TEMP. 75°

DESCRIPTION

Ties for Control Points

JOB NO.

LEFT

CENTER LINE

RIGHT

