

O.D.O.T. DISTRICT 2 SURVEY OFFICE (USE ONLY)

PERSONNEL _____ REFERENCE NO. 2 SHEET 2 OF 2

NOTES	<u>O'DONNELL</u>	DATE	<u>11/22/16</u>	ROUTE	<u>SR 795</u>
H.C.	<u>O'DONNELL</u>	WEATHER	<u>SUNNY</u>	COUNTY	<u>OTTAWA</u>
R.C.	<u>TODD</u>	TEMP.	<u>35°</u>	TOWNSHIP	<u>ALLEN</u>
				SECTION	<u>18</u>
				T	<u>7</u> N R <u>13</u> E

TYPE MONUMENT MONBOX W/1" IPIN

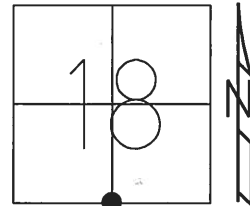
ON SURFACE - ~~BELOW~~ ON

~~LEFT~~ - CL PAV'T - RIGHT 2.5'

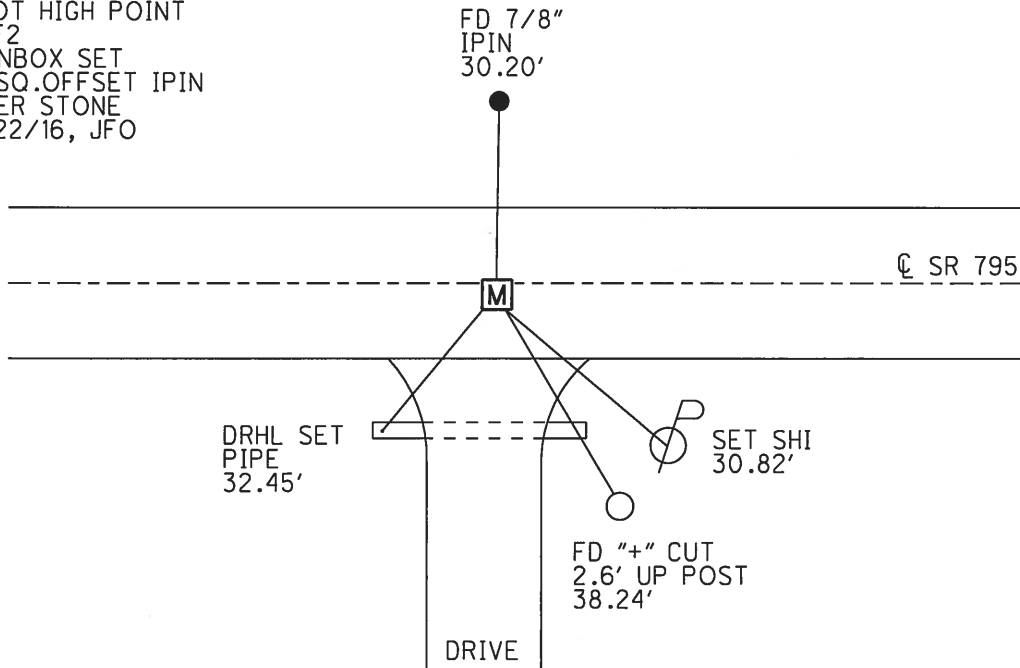
7' TO RT EDGE PAVEMENT

S.L.M. 23+50

Grid: Northing: 690853.710 Easting: 1720382.549



RECORD:
 FD MAG NAIL
 5/15/00, VD
 SET P.K.NAIL
 8/15/00, SAH
 FD MAG SPIKE
 REF2
 4/6/16, JFO
 FD 6X4" STONE
 2.05' DOWN
 SHOT HIGH POINT
 REF2
 MONBOX SET
 W/SQ.OFFSET IPIN
 OVER STONE
 11/22/16, JFO



OTTAWA COUNTY ENGINEERS OFFICE

REFERENCE NO. 18-7-13-H
 SOUTH QUARTER POST SEC. 18
 ALLEN TWP.
 SHEET 1 OF 1.

ROUTE: STATE ROUTE #795

TOWNSHIP: ALLEN

SECTION: 18

T 7 N R 13 E.

PERSONNEL:

M. WITTMAN, P.S.
 J. ALLEN
 J. O'DONNELL, P.S. - ODOT
 D. TODD - ODOT

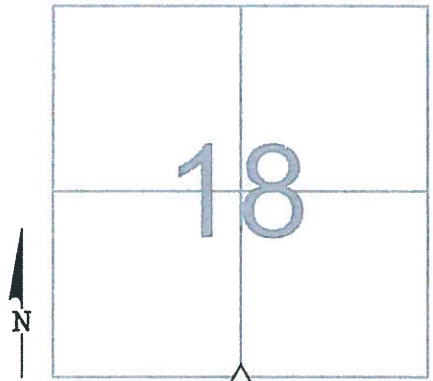
NORTHING:

EASTING:

DATE / WEATHER / TEMP:

NOVEMBER 22, 2016
 SUNNY
 35° F

DATUM:



MONUMENT INFORMATION

MONUMENT TYPE: 6" x 4" POINTED HARDHEAD
 ON SURFACE - BELOW: 2.05'
 LEFT - CL PAV'T - RIGHT: 1.50'

USED CENTER OF HIGH RIDGE ON STONE.

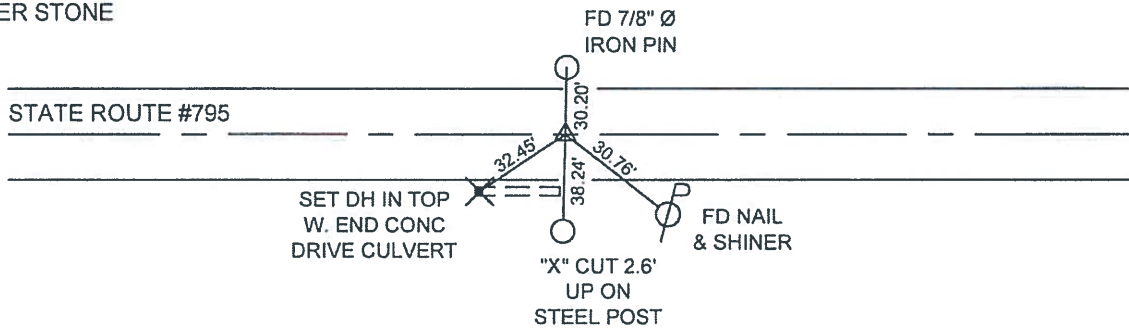


MISC. INFORMATION

FD MAG SPIKE ON SURFACE, TIED WITH GPS AND
 DUG FOR STONE. FD GOLF BALLS AND RR SPIKES
 ON WAY TO STONE. POINT USED ON STONE WAS
 0.08' SOUTH AND 0.02' WEST OF SURFACE MAG
 SPIKE. SET 1" SQUARE IRON PIN IN ROUND ODOT
 MONUMENT BOX OVER STONE.

NOVEMBER 22, 2016

SET 1" SQUARE IRON PIN IN
 ROUND ODOT MONUMENT BOX
 OVER STONE



O.D.O.T. DISTRICT 2 SURVEY OFFICE

PERSONNEL

REFERENCE NO. 2

SHEET 2 OF 2

NOTES VAN DUSEN

H.C. CORDES

R.C. VAN DUSEN

DATE 5-15-00

WEATHER CLOUDY

TEMP. +65°F

ROUTE 795

COUNTY OTTAWA

TOWNSHIP ALLEN

SECTION 18

T. 7 NR 13 E

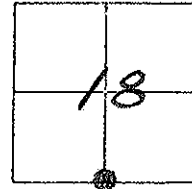
TYPE MONUMENT MAG. NAIL

ON SURFACE - ~~BELOW~~ YES

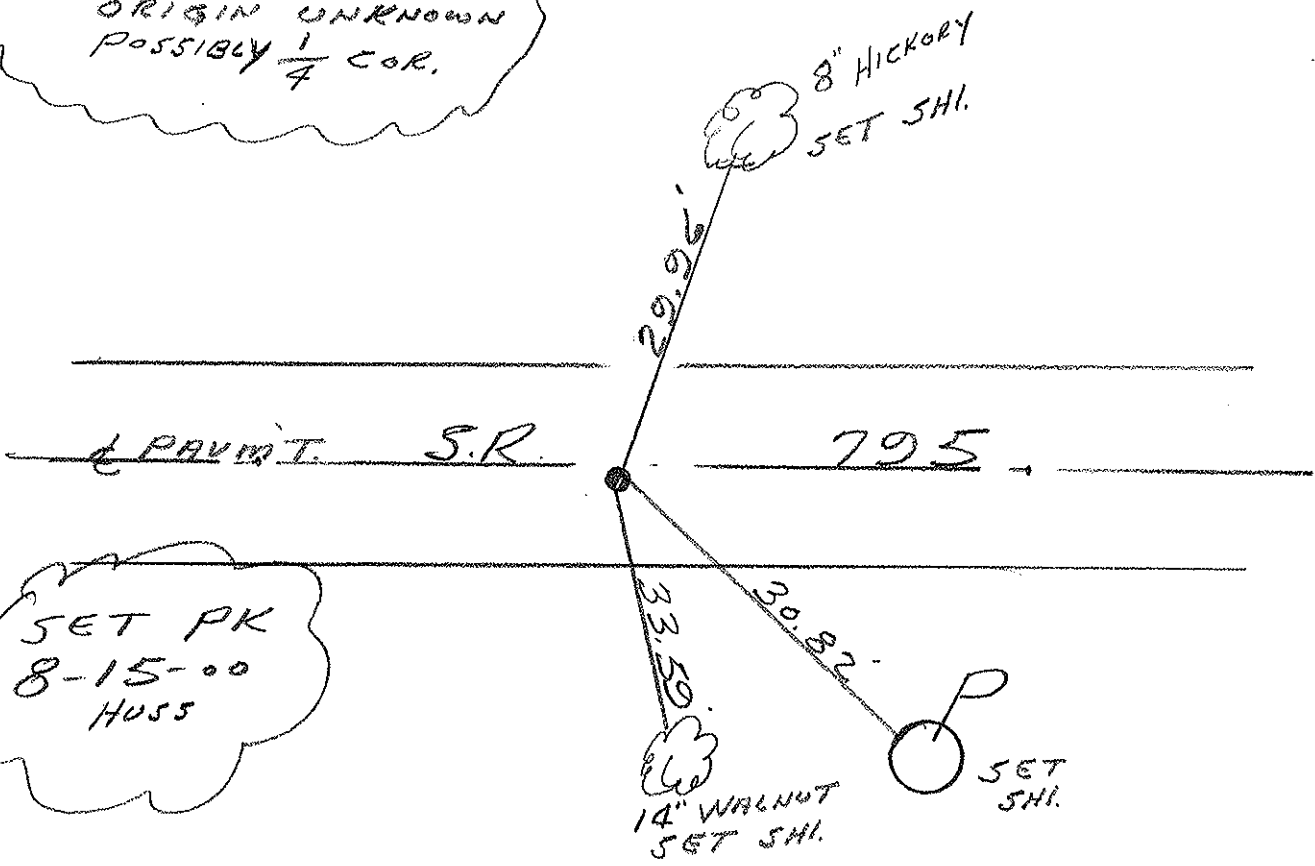
~~LEFT~~ - & PAV'T. - RIGHT 2.5

2' JORT. EDGE PAVEMENT

S.L.M. 23+50±



REC. FOUND MAG. NAIL
ORIGIN UNKNOWN
POSSIBLY $\frac{1}{4}$ COR.



SET PK
8-15-00
HUSS

14" WALNUT
SET SHI.

SET SHI.