

O.D.O.T. DISTRICT 2 SURVEY OFFICE

PERSONNEL _____

REFERENCE NO. 14

SHEET 24 OF 26

NOTES HOMAN

DATE 8/12/09

ROUTE US 6

H.C. HOMAN

WEATHER CLOUDY

COUNTY SANDUSKY

R.C. ROUSOS

TEMP. 75°

TOWNSHIP WASHINGTON

SECTION 31

T 5 N R 14 E

TYPE MONUMENT R.R.SPIKE

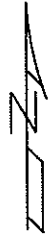
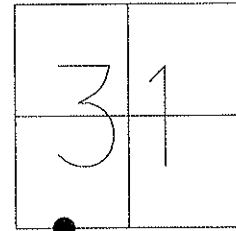
ON SURFACE - ~~BELOW~~ ON

~~LEFT~~ - Q PAV'T - RIGHT ON

11.5 TO LT EDGE PAVEMENT

S.L.M. 330+12

GPS Northing: 611103.315 Easting: 1749543.381



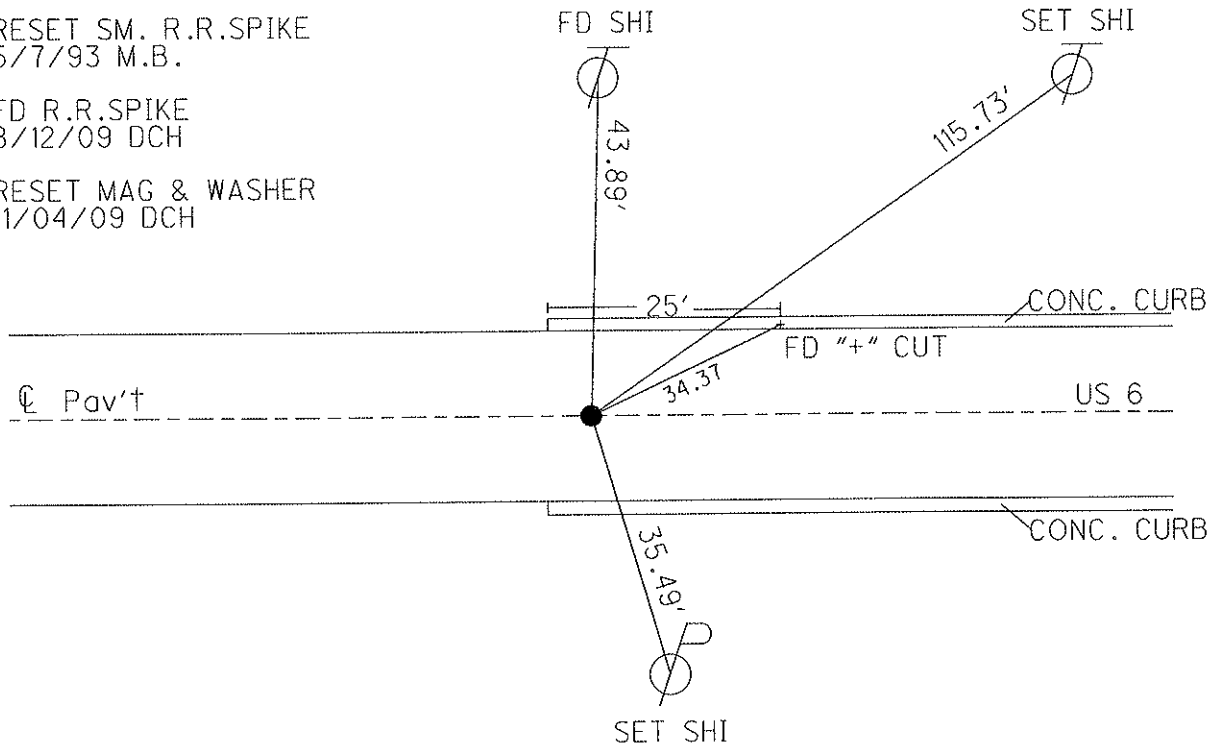
RECORD 329+31.23
WEST CORP. HELENA

FD LG. R.R. SPIKE
4/06/93

RESET SM. R.R.SPIKE
5/7/93 M.B.

FD R.R.SPIKE
8/12/09 DCH

RESET MAG & WASHER
11/04/09 DCH



O.D.O.T. DISTRICT 2 SURVEY OFFICE

PERSONNEL

REFERENCE NO. 14

SHEET OF

NOTES BARNHISEL

H.C. VAN DUSEN

R.C. CORDES

GREEN

DATE 4-6-93

WEATHER Sunny

TEMP. +40°

ROUTE 456

COUNTY SANDUSKY

TOWNSHIP WASHINGTON

SECTION 31

T5 N R 14 E

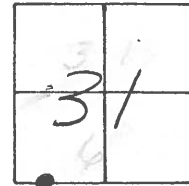
TYPE MONUMENT Lg RR Spk

ON SURFACE - ~~BELOW~~ yes

LEFT- & PAV'T. - ~~RIGHT~~ 1.0

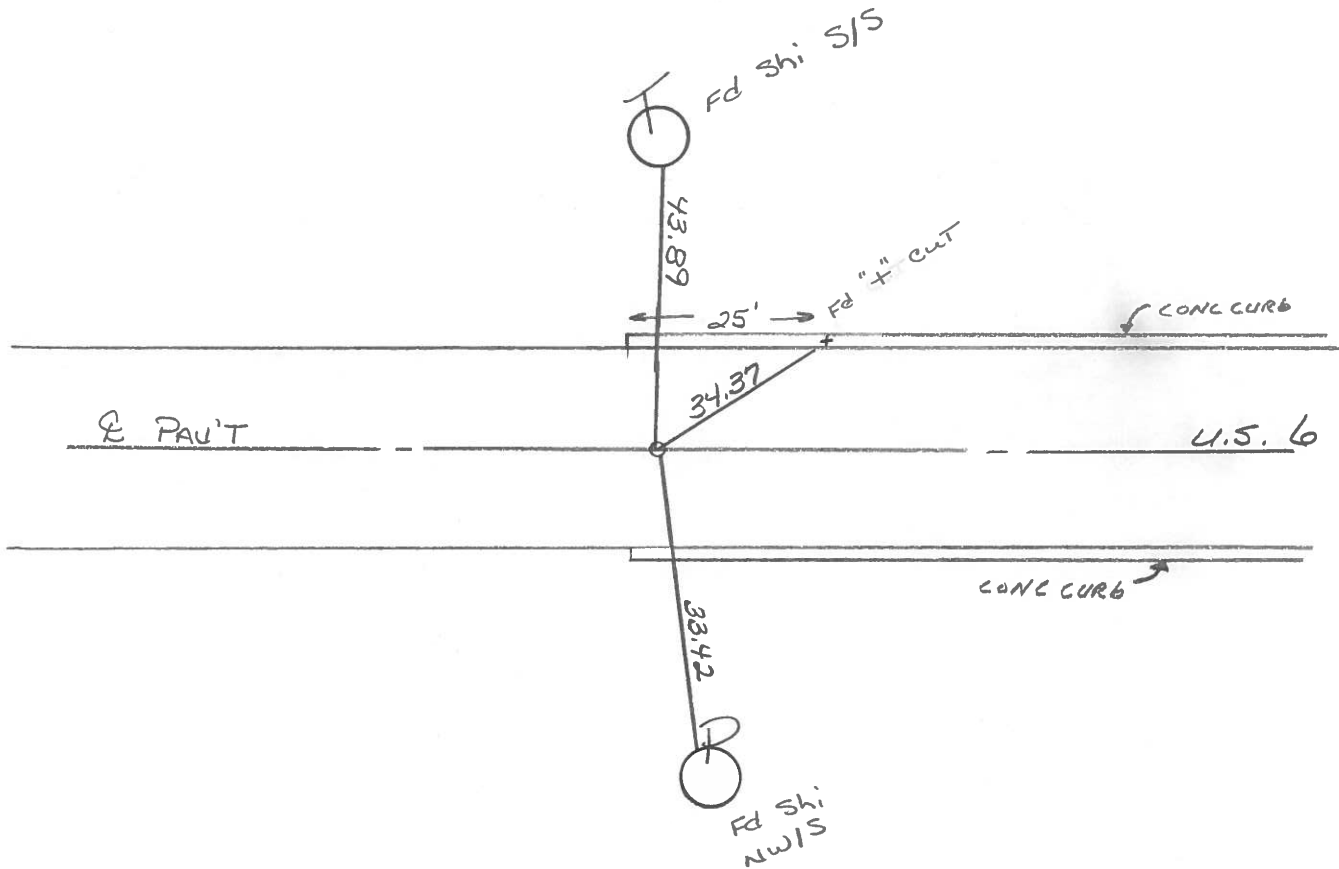
11.5 TO LT EDGE PAVEMENT

S.L.M. 330+12



RECORD
329+31.23
WEST CORP HELENA

Reset Sm. RR Spk
5-7-93
M.B.



County SANDUSKY S.R. USC6

Date 8-31-83

Township WASHINGTON

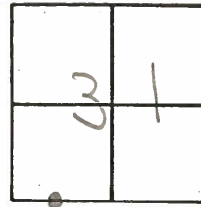
Weather P. CLEAR

Section 31

Temp. + 80°

TSN, R E

Personnel HOFFMAN



LOERKE

BARNHISEL

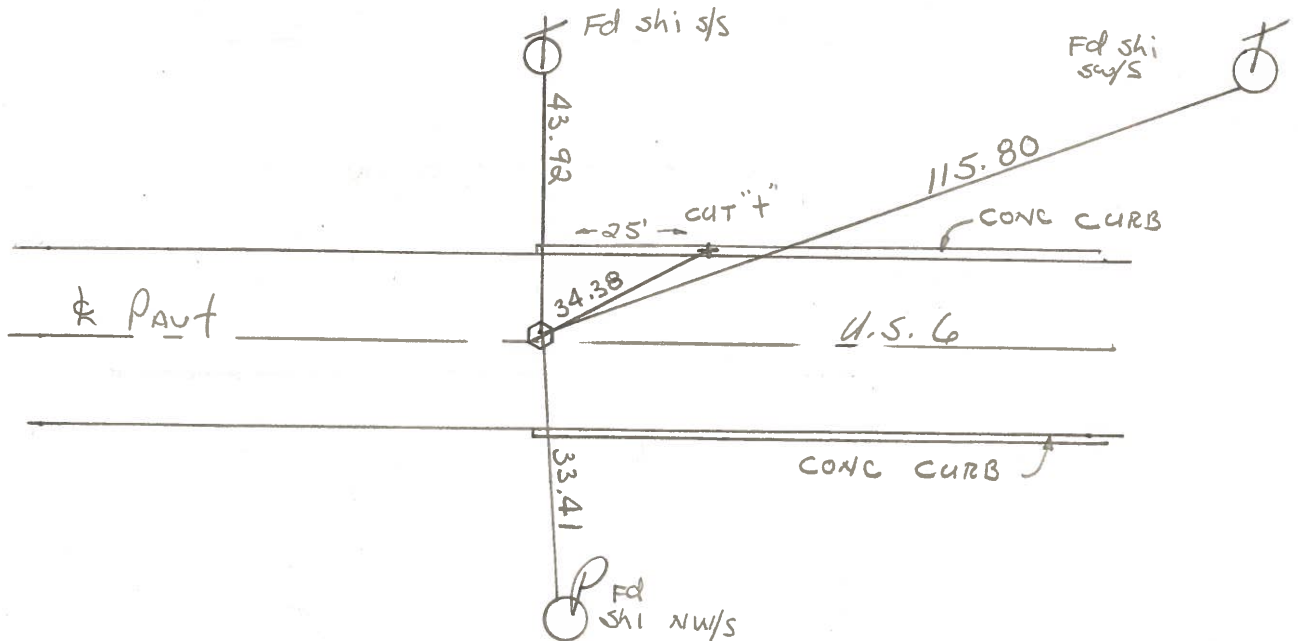
14

Fd LARGE R.R. SPK 6" Below SURFACE
ON & PAUT

S&M = 330+08

RECORD:
329+31.23
WEST CORP Helena

SET R.R. SPK. /+ ON TOP
9/21/83
S.W.H.



PERSONNEL TITLE PERSONNEL TITLE

Schneider _____

Potts _____

COUNTY sandusky

DATE Dec-1967

Mosser _____

S. R. U.S. #6

WEATHER _____

Barbour _____

HELENA O

SEC. HELENA - East

TEMP. _____

Redding _____

DESCRIPTION

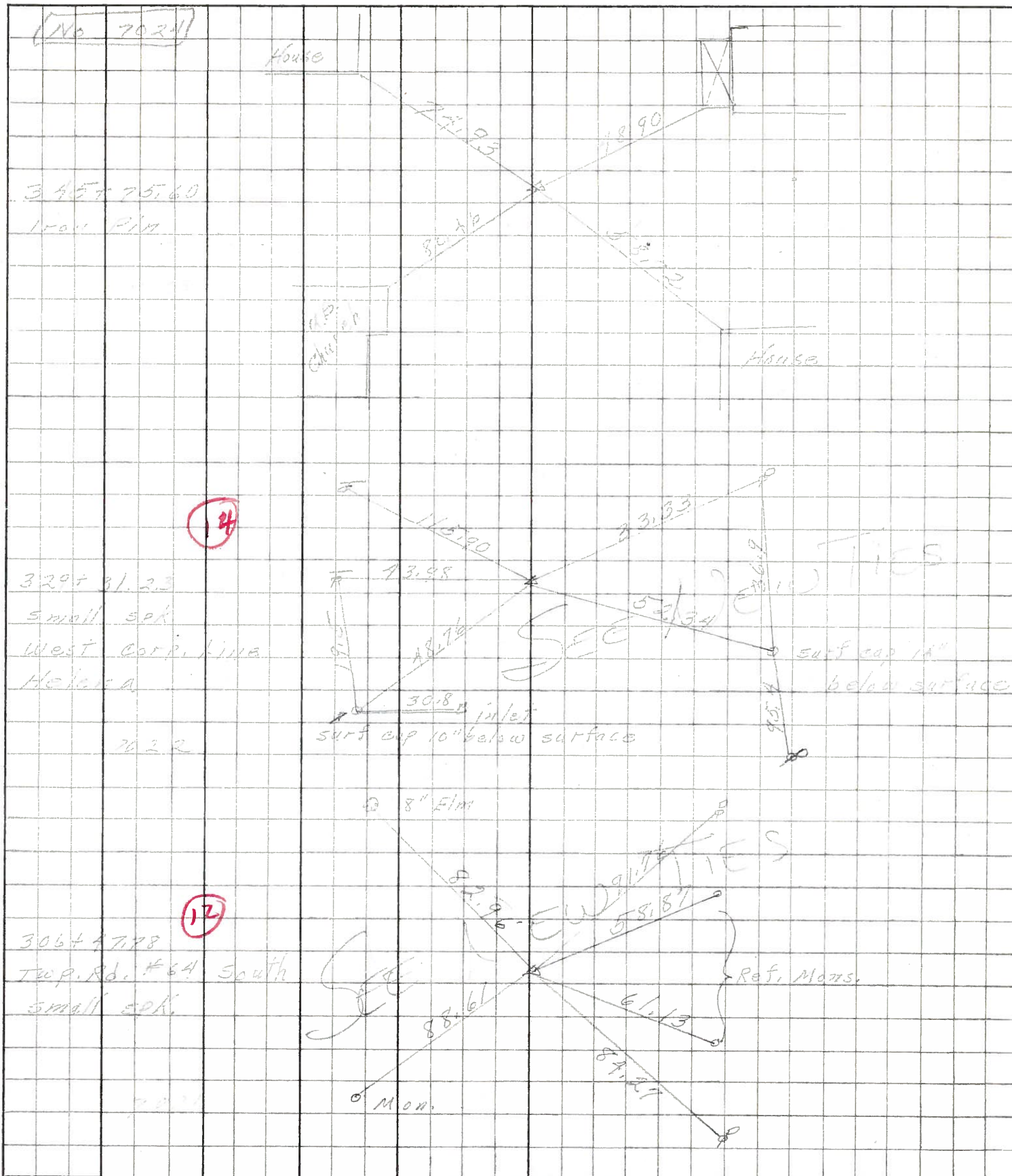
Ties for Control Points

JOB NO. _____

LEFT

CENTER LINE

RIGHT



(No 7024)

345 + 75.60

1-00 P.M.

329 + 31.23

Small Spk

West Corp. Line

Helena

7022

306 + 47.78

Twp. Rd. #64 South

Small Spk

7021

8" Elm

82.96

58.87

61.13

88.61

87.27

Mon.

Ref. Mon.

surf cap 10" below surface

surf cap 10" below surface

SEE

TIES

TIES

14

12