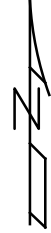
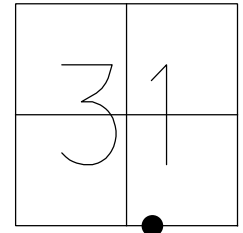


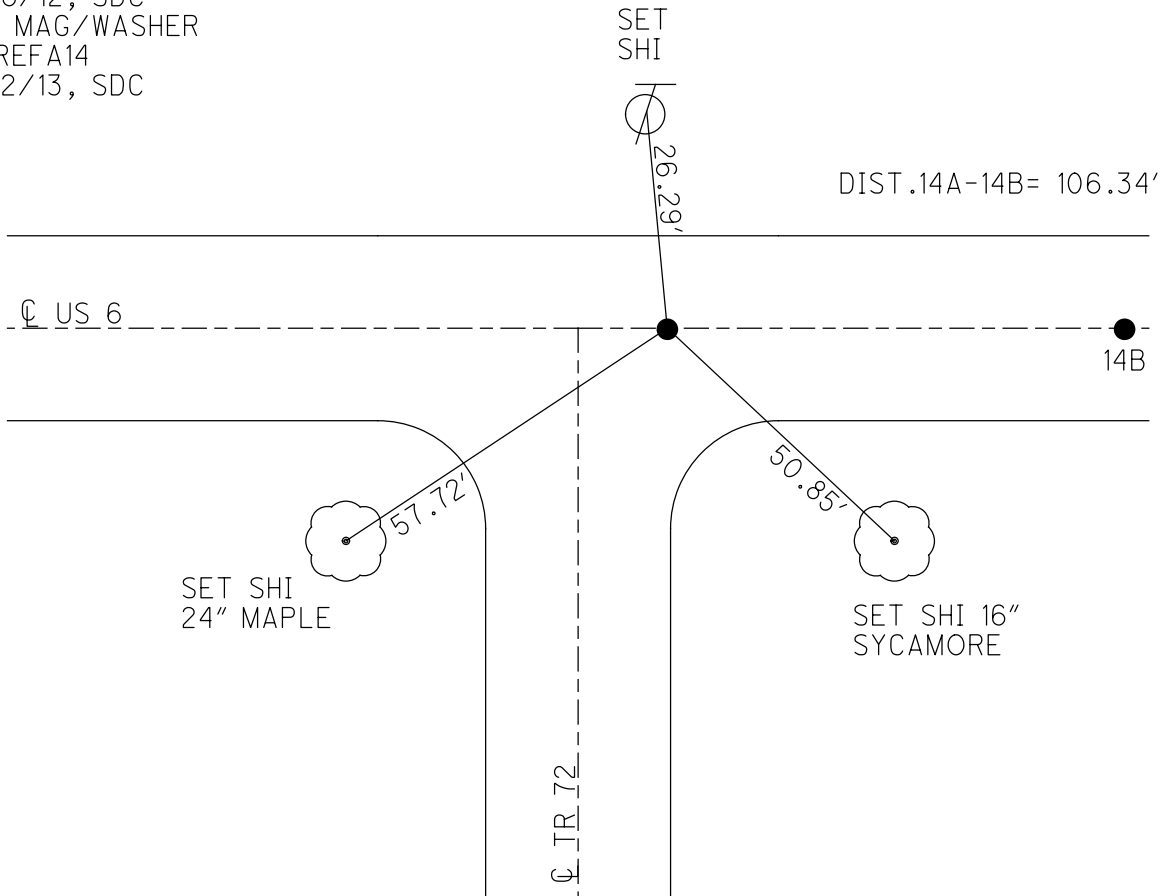
O.D.O.T. DISTRICT 2 SURVEY OFFICE (USE ONLY)

PERSONNEL _____ REFERENCE NO. 14 A SHEET 25 OF 27
 NOTES RHOADES DATE 9/26/12 ROUTE US 6
 H.C. CODER WEATHER MISTY COUNTY SANDUSKY
 R.C. RHOADES TEMP. 70° TOWNSHIP WASHINGTON
 _____ SECTION 31
 _____ T 5 N R 14 E

TYPE MONUMENT P.K.SHANK
~~ON SURFACE~~ - BELOW 1"
 LEFT - ℄ PAV'T - ~~RIGHT~~ 0.5'
21.9' TO LT EDGE PAVEMENT
 S.L.M. 345+50.66
 GPS NORTHING: 611104.554 EASTING: 1751080.507



RECORD:
 STA.345+75.60
 FD IPIN
 4/6/93, MB
 SET SM.R.R.SPIKE
 5/7/33, MB
 FD P.K.SHANK
 1" DOWN
 9/26/12, SDC
 SET MAG/WASHER
 FINREFA14
 5/22/13, SDC



O.D.O.T. DISTRICT 2 SURVEY OFFICE

PERSONNEL

REFERENCE NO. 14A

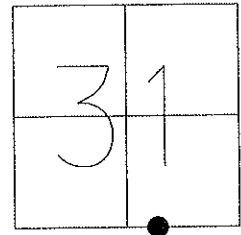
SHEET 25 OF 26

NOTES BARNHISEL
 H.C. VANDUSEN
 R.C. CORDES
GREEN

DATE 4/07/93
 WEATHER SUNNY
 TEMP. 40°

ROUTE US 6
 COUNTY SANDUSKY
 TOWNSHIP WASHINGTON
 SECTION 31
T 5 N R 14 E

TYPE MONUMENT IRON PIN
~~ON SURFACE - BELOW~~ 3"
 LEFT - Q PAV'T - ~~RIGHT~~ 0.5'
21.9 TO LT. EDGE PAVEMENT
 S.L.M. 346+57
 GPS Northing: _____ Easting: _____



RECORD 345+75.60
 IRON PIN

FD IRON PIN
 4/06/93

RESET SM. R.R. SPIKE
 5/7/93 M.B.

