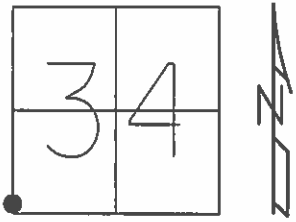


O.D.O.T. DISTRICT 2 SURVEY OFFICE (USE ONLY)

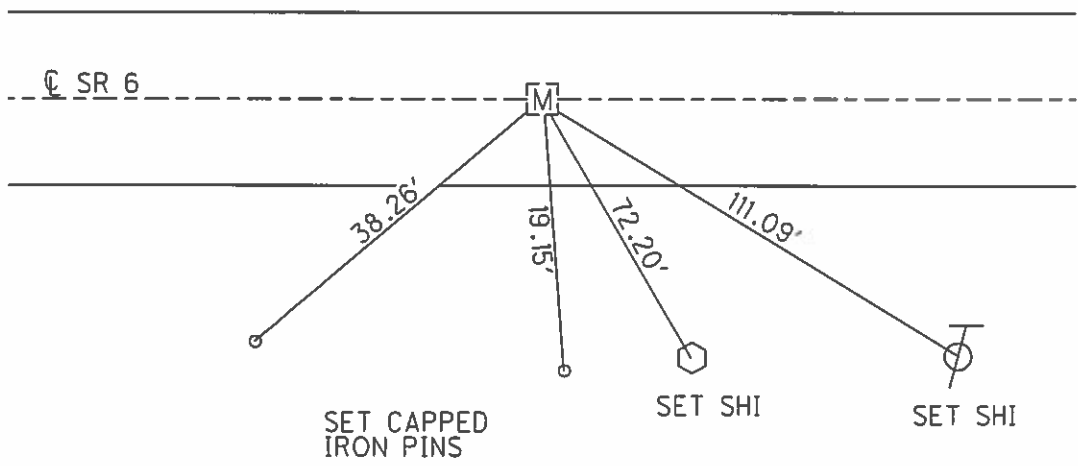
PERSONNEL \_\_\_\_\_ REFERENCE NO. 20 A SHEET 8 OF 25  
 NOTES HOMAN DATE 07/06/04 ROUTE SR 6  
 H.C. NUHFER WEATHER CLOUDY COUNTY SANDUSKY  
 R.C. CANTERBURY TEMP. +75° TOWNSHIP WASHINGTON  
ADKINS SECTION 34  
 T 5 N R 14 E

TYPE MONUMENT MON BOX W/ IRON PIN  
 ON SURFACE - ~~BELOW~~ ON  
~~LEFT~~ - Q PAV'T - ~~RIGHT~~ ON  
11.6' TO RT EDGE PAVEMENT  
 S.L.M. 478+04  
 GRID: NORTHING: 611001.353 EASTING: 1764406.547



RECORD: 478+00.19

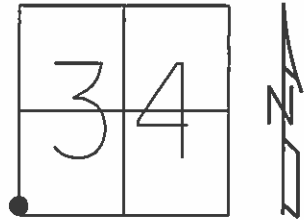
REFA20  
 FD MON BOX  
 W/ 1" IPIN  
 06-22-16  
 DCH, JLL



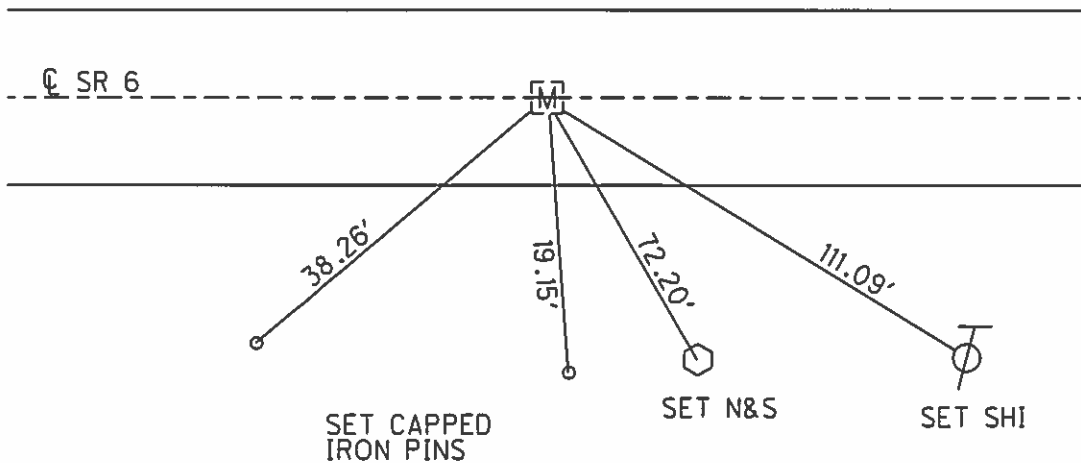
O.D.O.T. DISTRICT 2 SURVEY OFFICE (USE ONLY)

PERSONNEL \_\_\_\_\_ REFERENCE NO. 20 A SHEET 8 OF 25  
 NOTES HOMAN DATE 7-6-04 ROUTE SR 6  
 H.C. NUHFER WEATHER CLOUDY COUNTY SANDUSKY  
 R.C. CANTERBURY TEMP. +75° TOWNSHIP WASHINGTON  
ADKINS SECTION 34  
 T 5 N R 14 E

TYPE MONUMENT MON BOX W/ IRON PIN  
 ON SURFACE - ~~BELOW~~ ON  
 LEFT - ☉ PAV'T - RIGHT ON  
11.6' TO RT EDGE PAVEMENT  
 S.L.M. 478+04  
 GRID: NORTHING: \_\_\_\_\_ EASTING: \_\_\_\_\_



RECORD: 478+00.19



PERSONNEL TITLE PERSONNEL TITLE

schneider \_\_\_\_\_ Potts \_\_\_\_\_

COUNTY Sandusky DATE Dec. 1967

Mosser \_\_\_\_\_

S. R. U.S. # 6 WEATHER \_\_\_\_\_

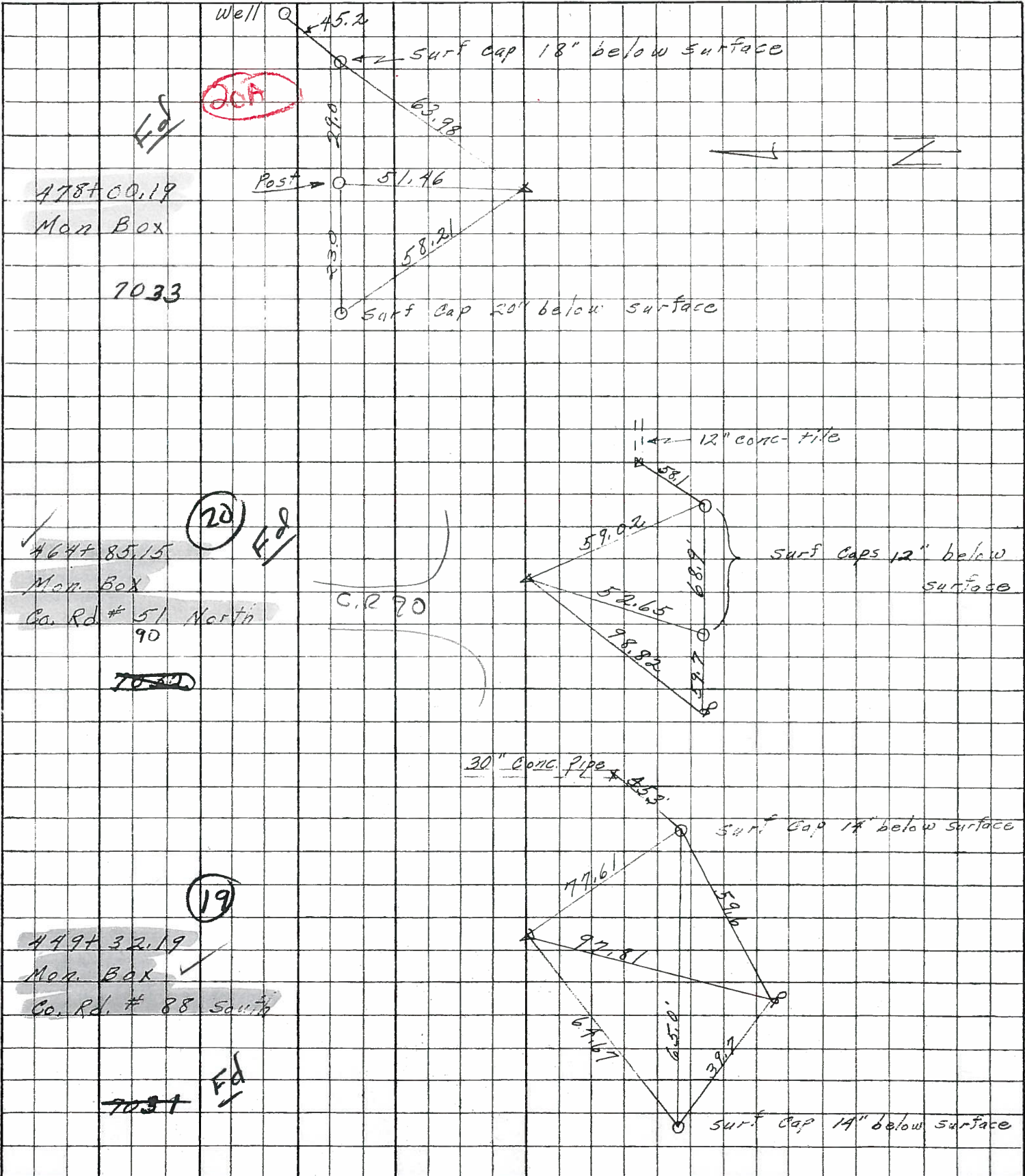
Barbour \_\_\_\_\_

SEC. Helena East TEMP. \_\_\_\_\_

Redding \_\_\_\_\_

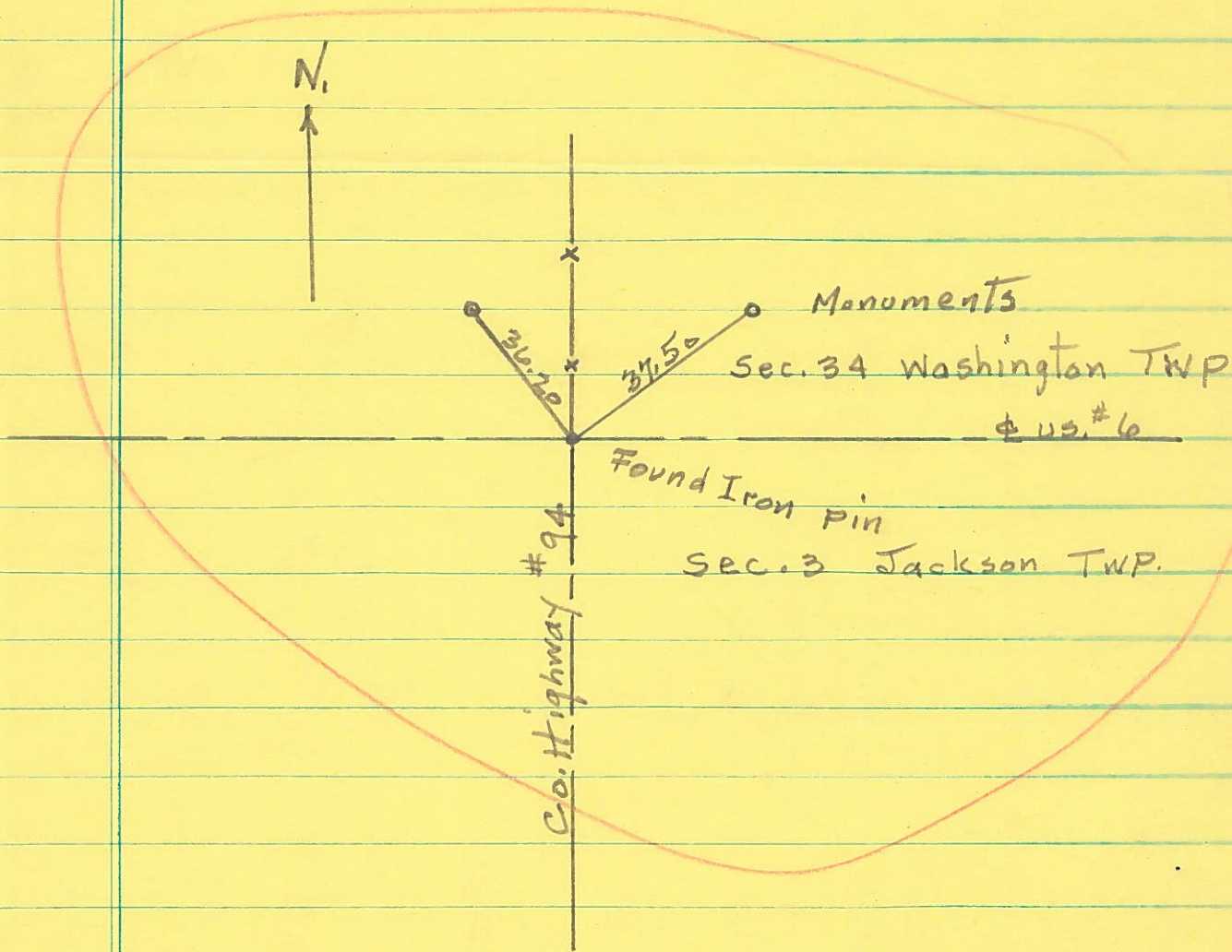
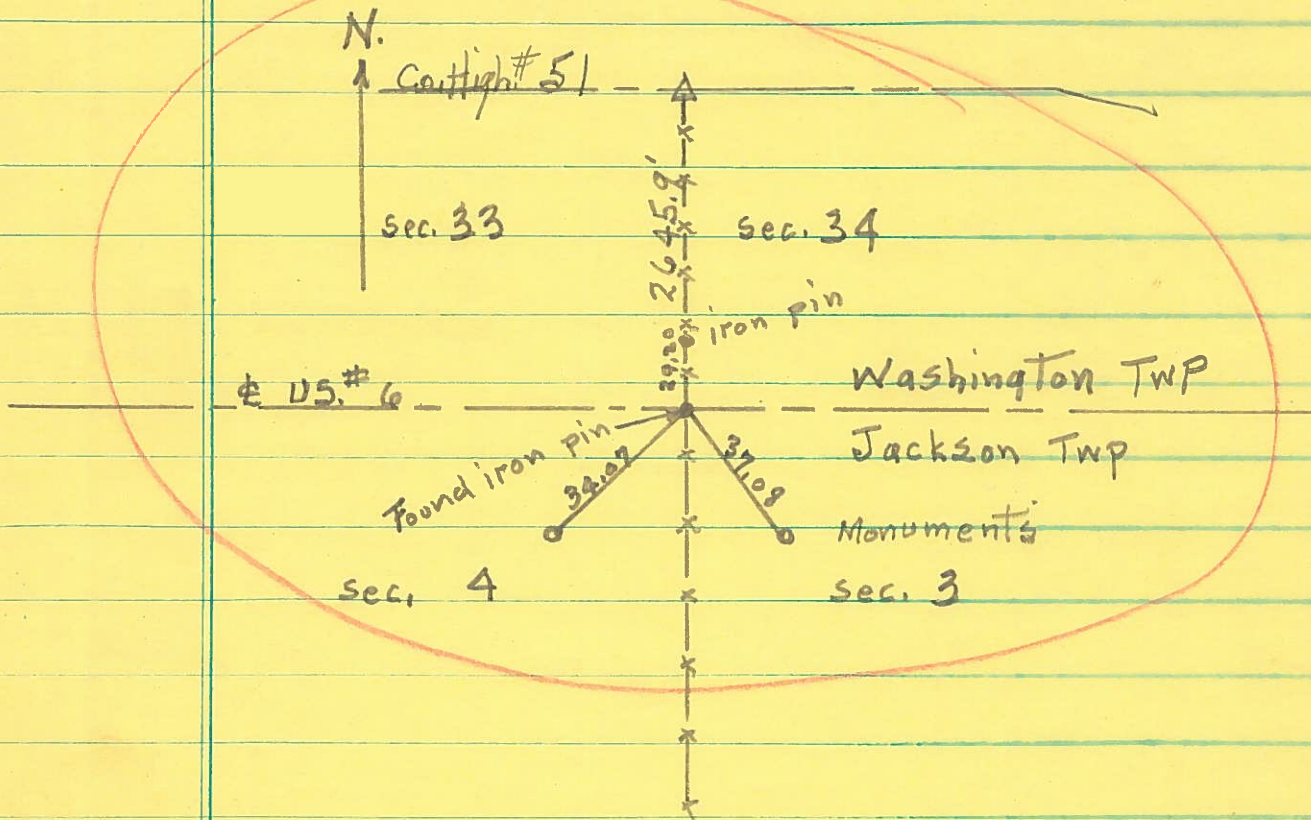
DESCRIPTION Ties for control points JOB NO. \_\_\_\_\_

LEFT CENTER LINE RIGHT



New

Cor. Stone 39+28.75



Copy

PERSONNEL	TITLE	PERSONNEL	TITLE	COUNTY	DATE
Arndt		Gerber		Sandusky	9/12/60
Hawk		Swartz		S. R. 6	WEATHER
Schneider		Pfefferle		Sang (6.78-9.28)	TEMP.
Mosser				SEC. SAN 590 (6.56)	
DESCRIPTION	SE 33 = SW 34	TSN R 14 E	Washington Twp	JOB NO.	
	LEFT	CENTER LINE	RIGHT		

Material Encountered: STA 477 + 99

0" = Ground Level = 668.8

0"-3" Blacktop

3"-6 1/2" Brick

6 1/2"-7" Sand

7"-12" Concrete (No Reinforcing)

Dug to 30" below top of pavement. Found several small (4"-5" diam.) Granite Stones, none of which could be positive identified as the corner stone.

∴ USE plus @ PI 478 + 00.19

Fd Man Box

PERSONNEL	TITLE	PERSONNEL	TITLE
Arnot		Gerber	
Hawke		Swartz	
Schneider		Pfefferle	
Masser			

COUNTY Sandusky DATE 9/15/60

S. R. 6 WEATHER

SEC. SAN 6 (6.78-9.28) SAN 590 (6.56) TEMP.

DESCRIPTION NE 4 = NW 3 T4N, R14E JACKSON TWP JOB NO.

LEFT CENTER LINE RIGHT

Material Encountered:

0" = Ground Level = 669.1

0"-3" Black top

3"-6 1/2" Brick

6 1/2"-7" Sand

7"-12" Concrete (No Reinforcing)

STA. 475+47

NO BOX, but possible NAIL SET @ THIS LOCATION

SEE ALSO 193-X

DUG TO 2'9" Found no stone or other survey mark.