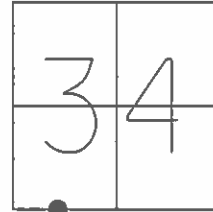


O.D.O.T. DISTRICT 2 SURVEY OFFICE (USE ONLY)

PERSONNEL _____ REFERENCE NO. 21 SHEET 9 OF 25
 NOTES HOMAN DATE 07/06/04 ROUTE SR 6
 H.C. NUHFER WEATHER CLOUDY COUNTY SANDUSKY
 R.C. CANTERBURY TEMP. +80° TOWNSHIP WASHINGTON
ADKINS SECTION 34
 T 5 N R 14 E

TYPE MONUMENT MON BOX W/ IRON PIN
 ON SURFACE - ~~BELOW~~ ON
~~LEFT~~ - Q PAV'T - ~~RIGHT~~ ON
12.9' TO LT EDGE PAVEMENT
 S.L.M. 489+08



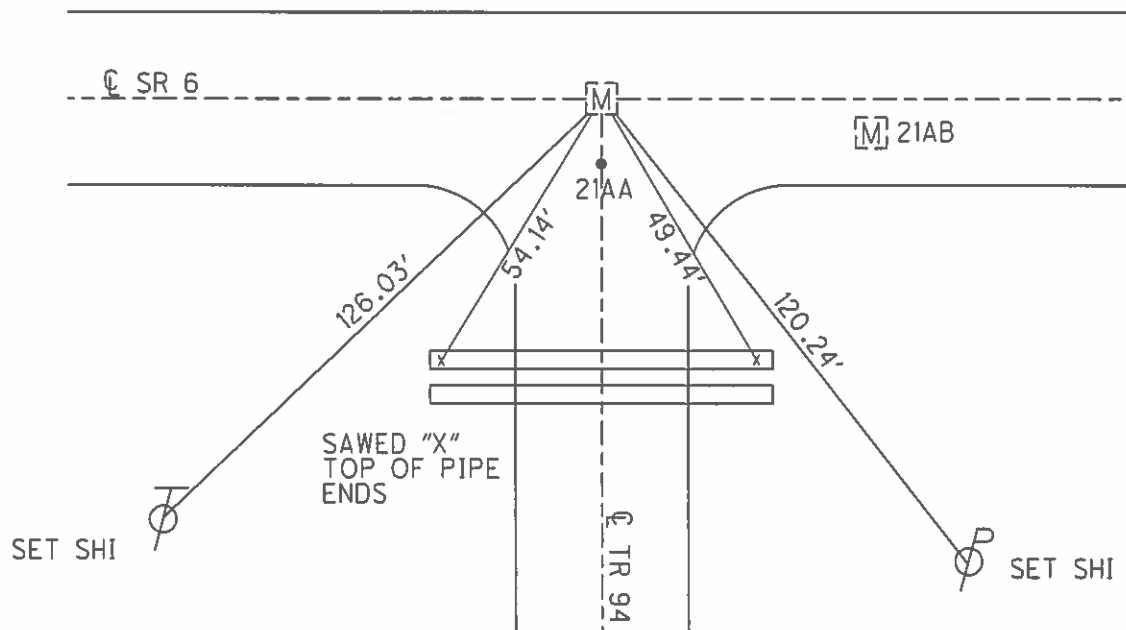
GRID: NORTHING: 611003.222 EASTING: 1765514.291

DISTANCE 21-21AA = 1.70'

RECORD: 489+08.34

REF21
 FD MON BOX
 W/1" IPIN
 06-22-16
 DCH, JLL

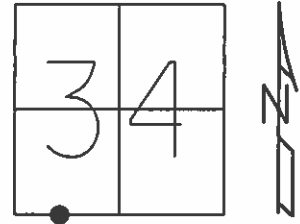
UNCOVERED PK NAIL
 09-12-16 DCH



O.D.O.T. DISTRICT 2 SURVEY OFFICE (USE ONLY)

PERSONNEL _____ REFERENCE NO. 21 SHEET 9 OF 25
 NOTES HOMAN DATE 7-6-04 ROUTE SR 6
 H.C. NUHFER WEATHER CLOUDY COUNTY SANDUSKY
 R.C. CANTERBURY TEMP. +80° TOWNSHIP WASHINGTON
ADKINS SECTION 34
 T 5 N R 14 E

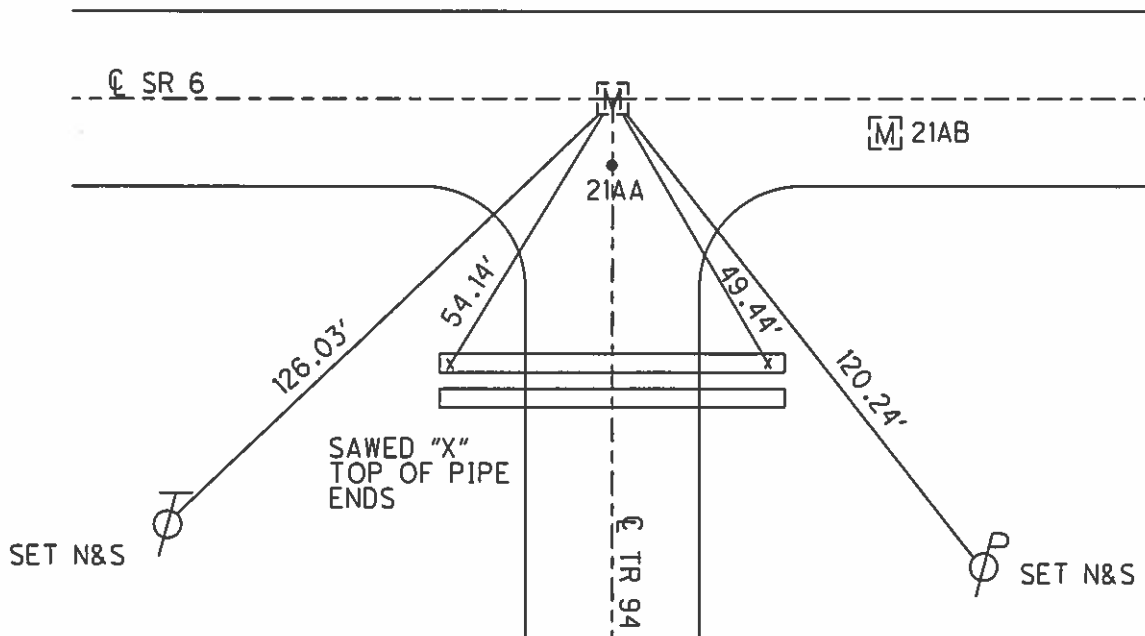
TYPE MONUMENT MON BOX W/ IRON PIN
 ON SURFACE - ~~BELOW~~ ON
 LEFT - ☉ PAV'T - RIGHT ON
12.9' TOLT EDGE PAVEMENT
 S.L.M. 489+08



GRID: NORTHING: _____ EASTING: _____

DISTANCE 21-21AA = 1.70'

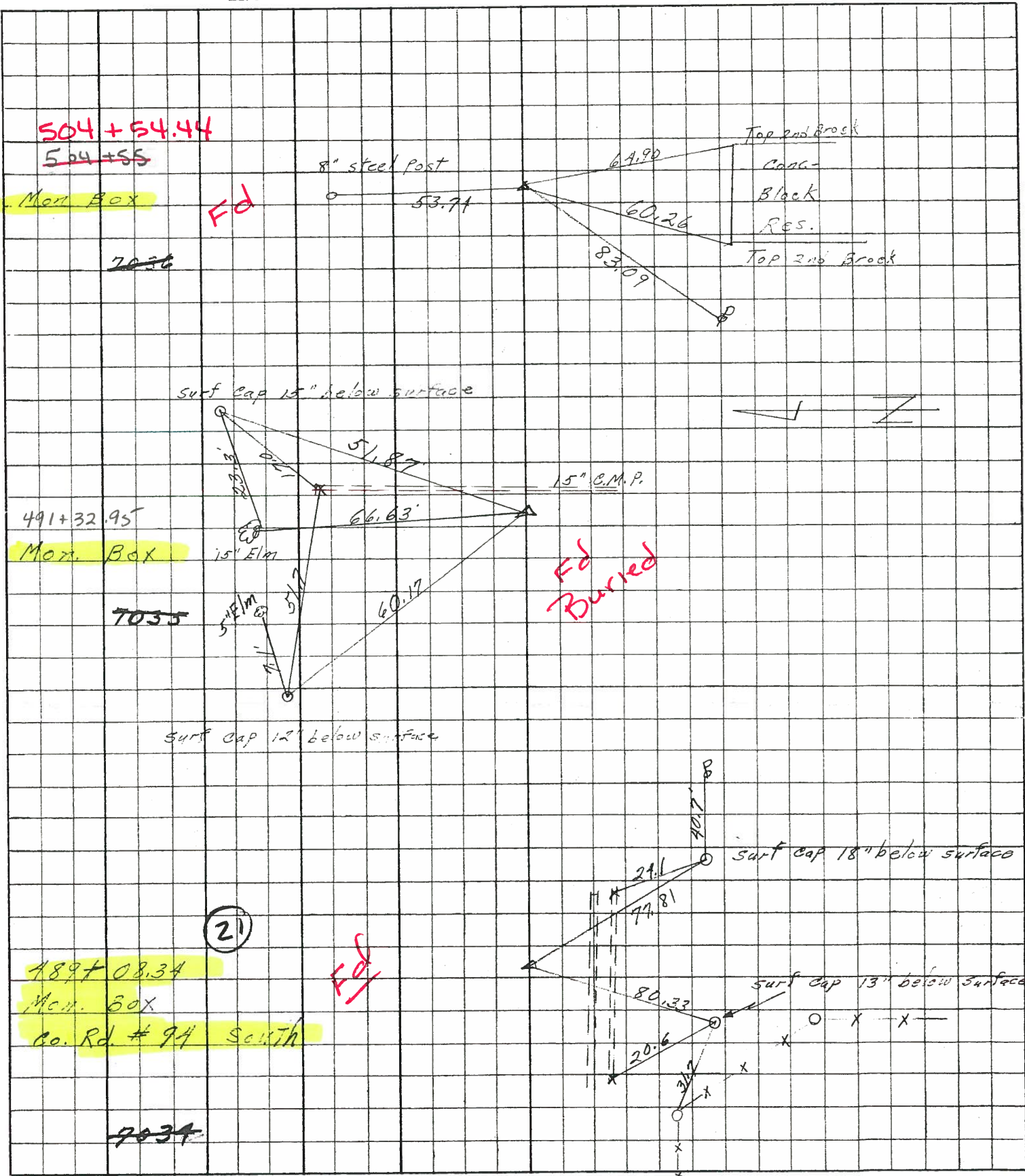
RECORD: 489+08.34



PERSONNEL	TITLE	PERSONNEL	TITLE
Schneider		Potts	
Mosser			
Barbour			
Seaman			

COUNTY SANDUSKY DATE DEC-1967
 S. R. 115 # 6 WEATHER _____
 SEC. Highway East TEMP. _____

DESCRIPTION Ties for Control Points JOB NO. _____



PERSONNEL TITLE PERSONNEL TITLE

Schneider Potts

COUNTY Sandusky DATE Dec-1967

Mosser

S. R. U.S. # 6 WEATHER

Barbour

SEC. Helena E TEMP.

Redding

DESCRIPTION Ties for Control Points JOB NO.

LEFT CENTER LINE RIGHT

