

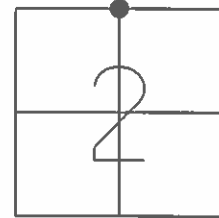
**O.D.O.T. DISTRICT 2 SURVEY OFFICE (USE ONLY)**

PERSONNEL \_\_\_\_\_ REFERENCE NO. 23 SHEET 16 OF 25

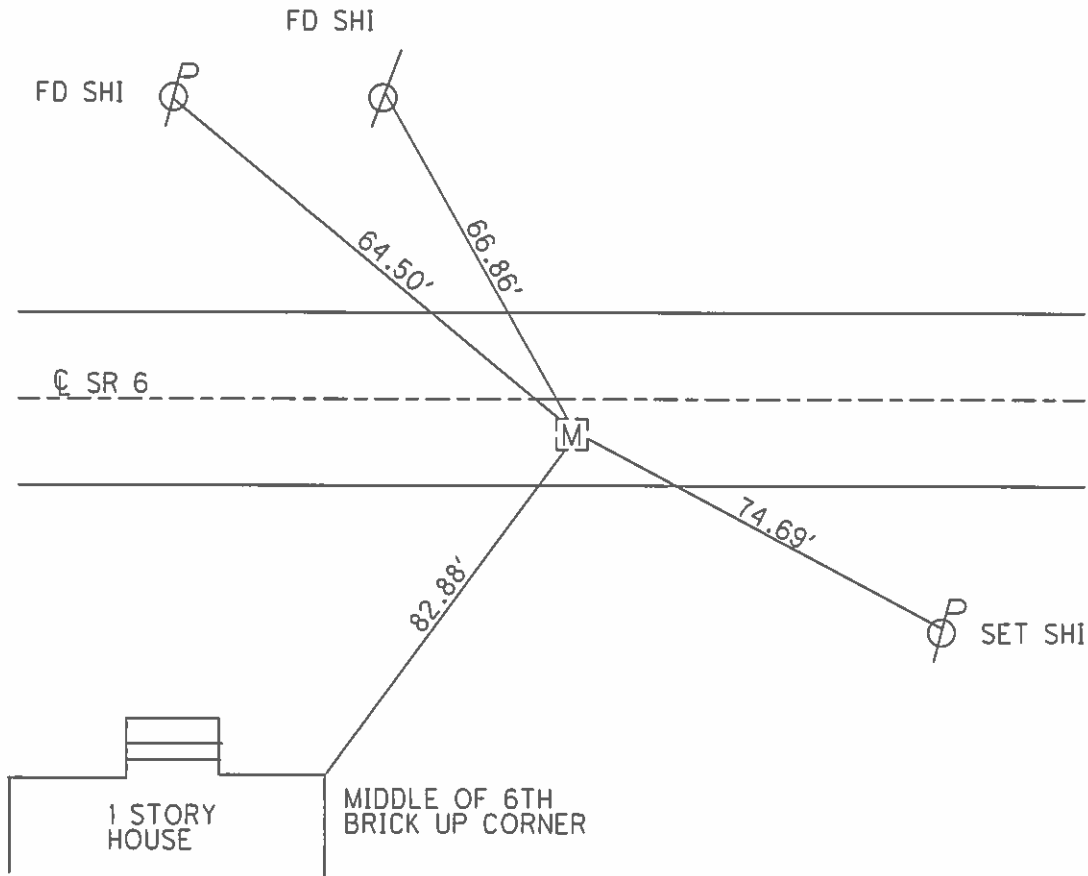
NOTES	<u>HOMAN</u>	DATE	<u>07/07/04</u>	ROUTE	<u>SR 6</u>
H.C.	<u>NUHFER</u>	WEATHER	<u>CLOUDY</u>	COUNTY	<u>SANDUSKY</u>
R.C.	<u>CANTERBURY</u>	TEMP.	<u>+75°</u>	TOWNSHIP	<u>JACKSON</u>
	<u>BARNHISEL</u>			SECTION	<u>2</u>
	<u>HUSS ADKINS</u>			T <u>4</u> N R <u>14</u> E	

TYPE MONUMENT MON BOX W/ IRON PIN  
 ON SURFACE - ~~BELOW~~ ON  
~~LEFT - C PAV'T - RIGHT~~ 5.4'  
6.6' TO RT. EDGE PAVEMENT  
 S.L.M. 556+30

GRID: NORTHING: 611045.934 EASTING: 1772228.033



REF23  
 FD MON BOX  
 W/ 1" IPIN  
 06-23-16  
 DCH, JLL

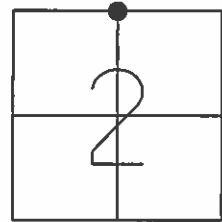


O.D.O.T. DISTRICT 2 SURVEY OFFICE (USE ONLY)

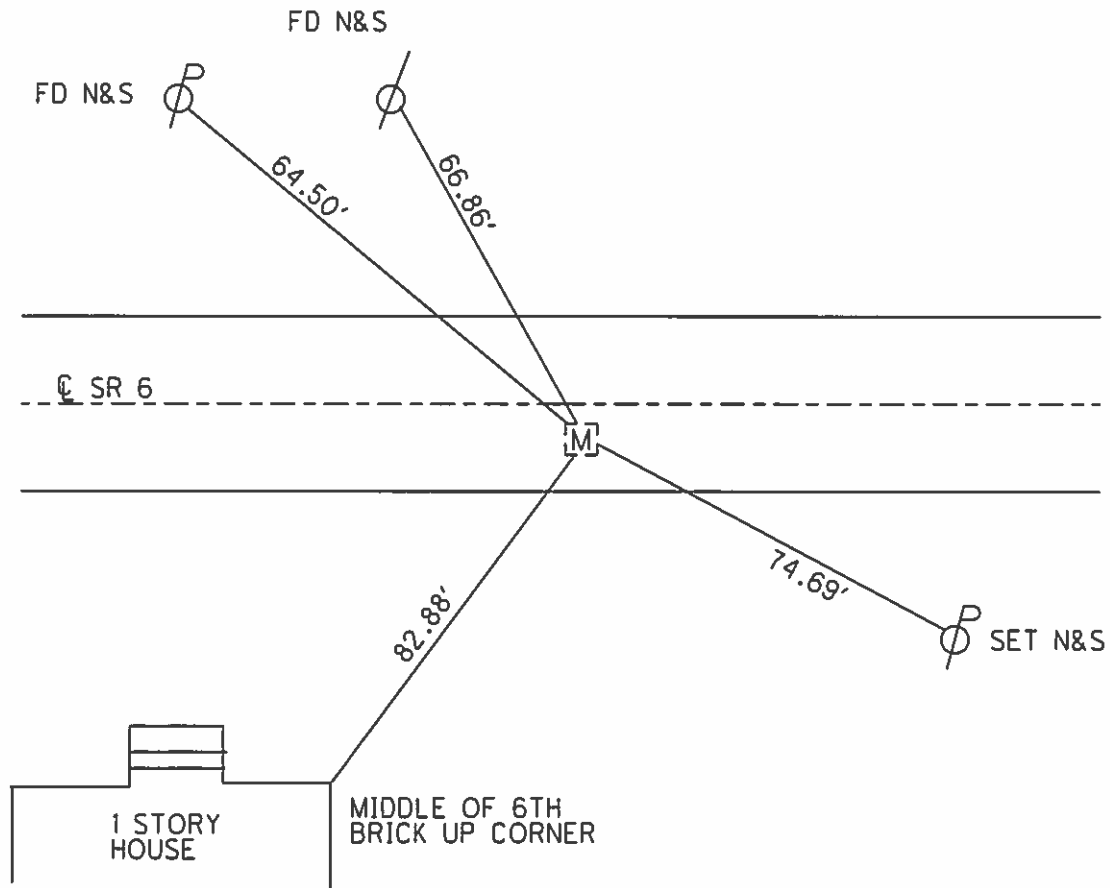
PERSONNEL \_\_\_\_\_ REFERENCE NO. 23 SHEET 16 OF 25

NOTES HOMAN \_\_\_\_\_ DATE 7-7-04 ROUTE SR 6  
 H.C. NUHFER \_\_\_\_\_ WEATHER CLOUDY COUNTY SANDUSKY  
 R.C. CANTERBURY \_\_\_\_\_ TEMP. +75° TOWNSHIP JACKSON  
 BARNHISEL \_\_\_\_\_ SECTION 2  
 HUSS ADKINS \_\_\_\_\_ T 4 N R 14 E

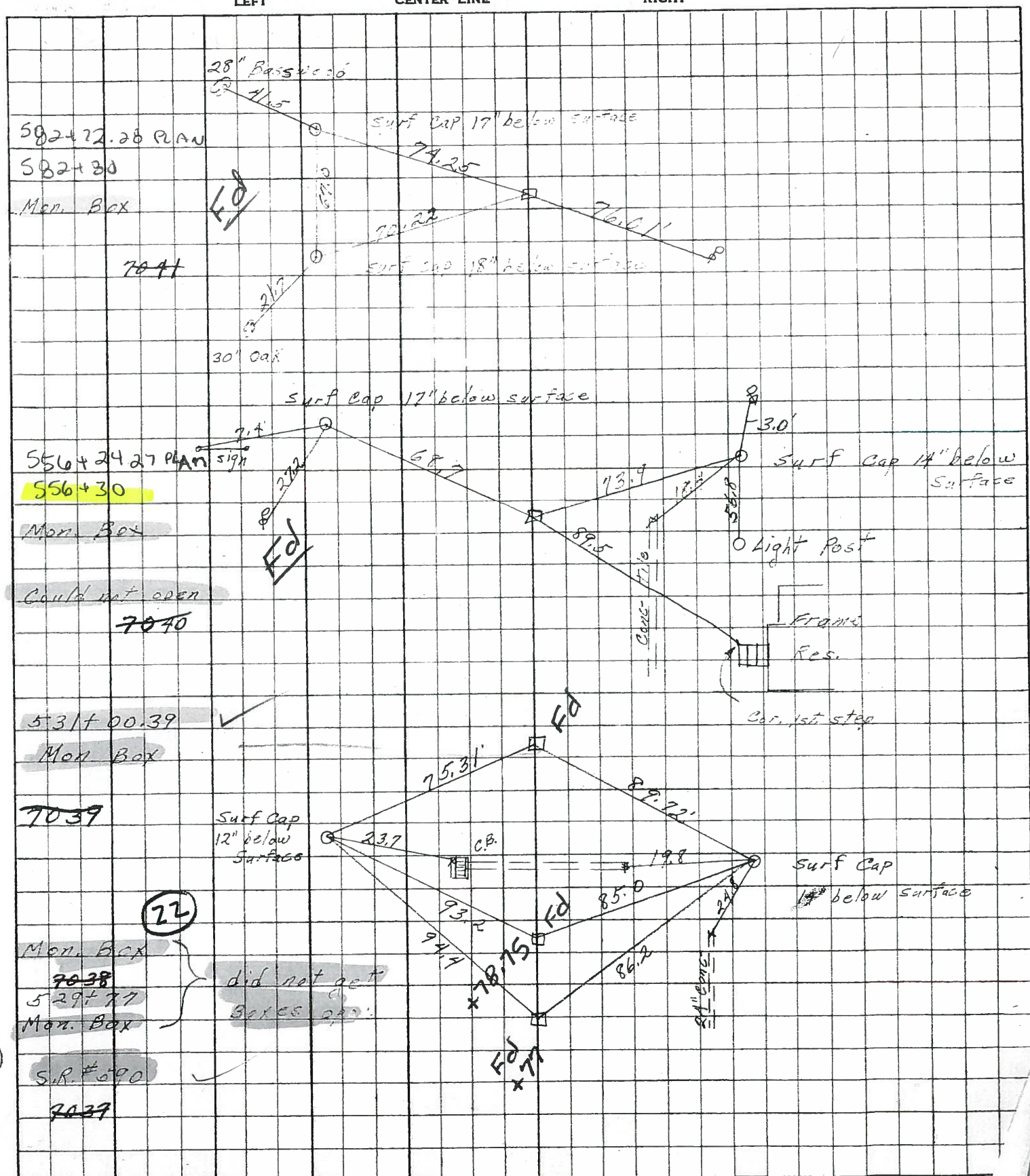
TYPE MONUMENT MON BOX W/ IRON PIN  
 ON SURFACE - ~~BELOW~~ ON \_\_\_\_\_  
~~LEFT~~ - Q PAV'T - RIGHT 5.4'  
6.6' TO RT EDGE PAVEMENT  
 S.L.M. 556+30



GRID: NORTHING: \_\_\_\_\_ EASTING: \_\_\_\_\_



PERSONNEL TITLE PERSONNEL TITLE COUNTY Sandusky DATE Dec-1967  
Schneider \_\_\_\_\_  
Barosyr \_\_\_\_\_ S. R. U.S. # 6 WEATHER \_\_\_\_\_  
Reidling \_\_\_\_\_  
P. S. \_\_\_\_\_ SEC. Helena East TEMP \_\_\_\_\_  
 DESCRIPTION Ties for Center Line JOB NO. \_\_\_\_\_



PERSONNEL	TITLE	PERSONNEL	TITLE	COUNTY	DATE
ARNOT		Gerber		Sandusky	9/9/60
HAWK		SWARTZ		S. R. 6	WEATHER
SCHNEIDER		PFEFFERLE		San 6 (6.78-9.28)	TEMP.
Mosser				San 590 (6.56)	
DESCRIPTION	N 1/4 Sec 2 T 4 N R 14 E		Jackson Twp		JOB NO.
	LEFT	CENTER LINE	RIGHT		

Material Encountered:

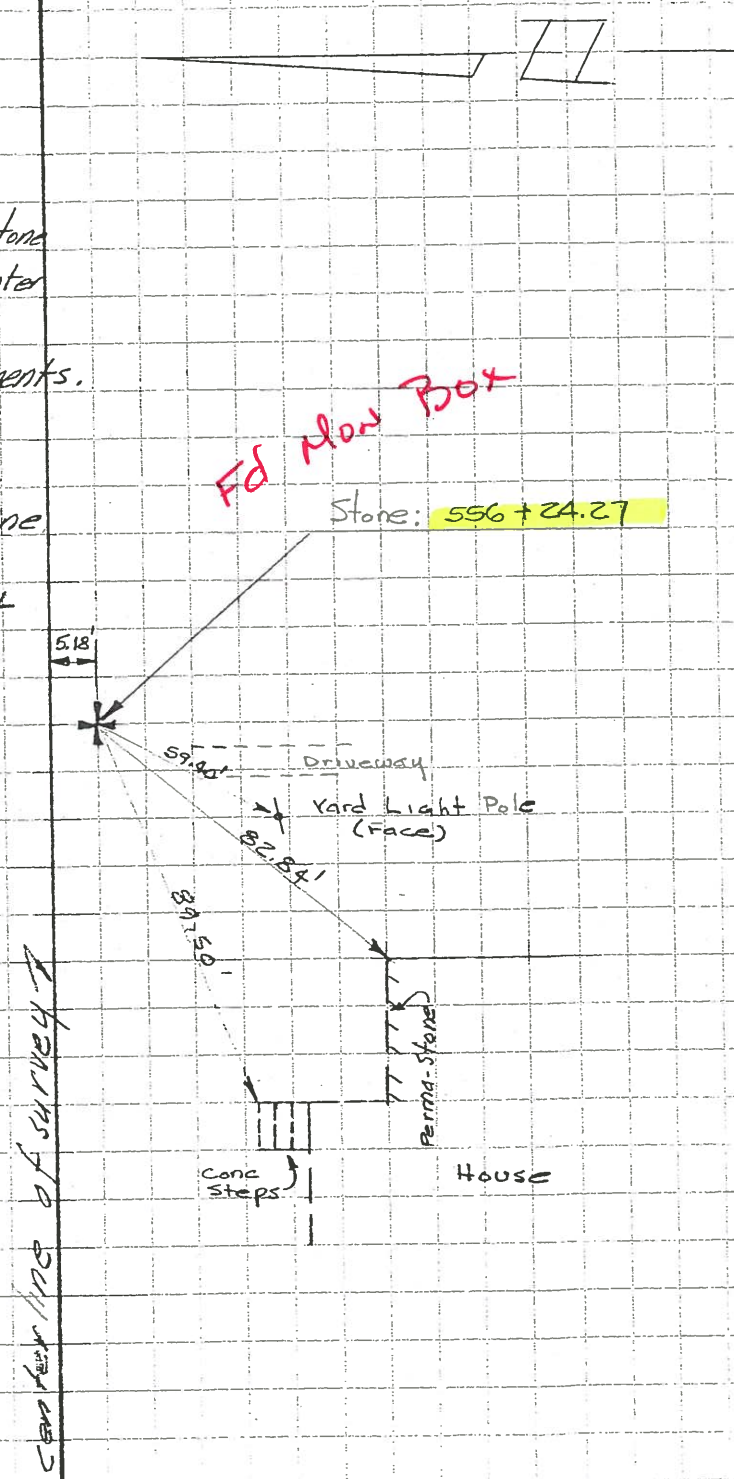
0" = Ground Level = 661.5

0"-2" Blacktop

2"-1'2" Base

1' 3" Found rectangularly-cut limestone 6"x4", with 1 1/2" slot in center of top, running in E-W direction, with tile fragments.

Set 1" Iron Pipe over center of 1 1/2" slot in stone. Top of pipe about 2"± below top of pavement



CENTER LINE OF SURVEY



COPY

PERSONNEL	TITLE	PERSONNEL	TITLE	COUNTY	DATE	S. R.	WEATHER
ARNOT		Gerber		Sandusky	9/9/60	6	
HAWK		Swartz				Sang (6.78-9.28)	
Schneider		Peffferle				San 590 (6.56)	
Mosser							TEMP.
DESCRIPTION	Test Hole STA 560+61						JOB NO.
	LEFT	CENTER LINE	RIGHT				

Material Encountered:

0" = Ground level = 661.4

0"-2 1/4" Black top

2 1/2"-14 1/2" Base

STA 560+61 ±

4' ± RIGHT

Ed Hole in Rd  
with possible NAIL  
according to LOCATOR

560+71  
0.2' CT E  
R TO THE NORTH