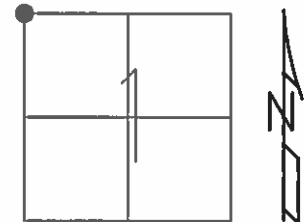


**O.D.O.T. DISTRICT 2 SURVEY OFFICE (USE ONLY)**

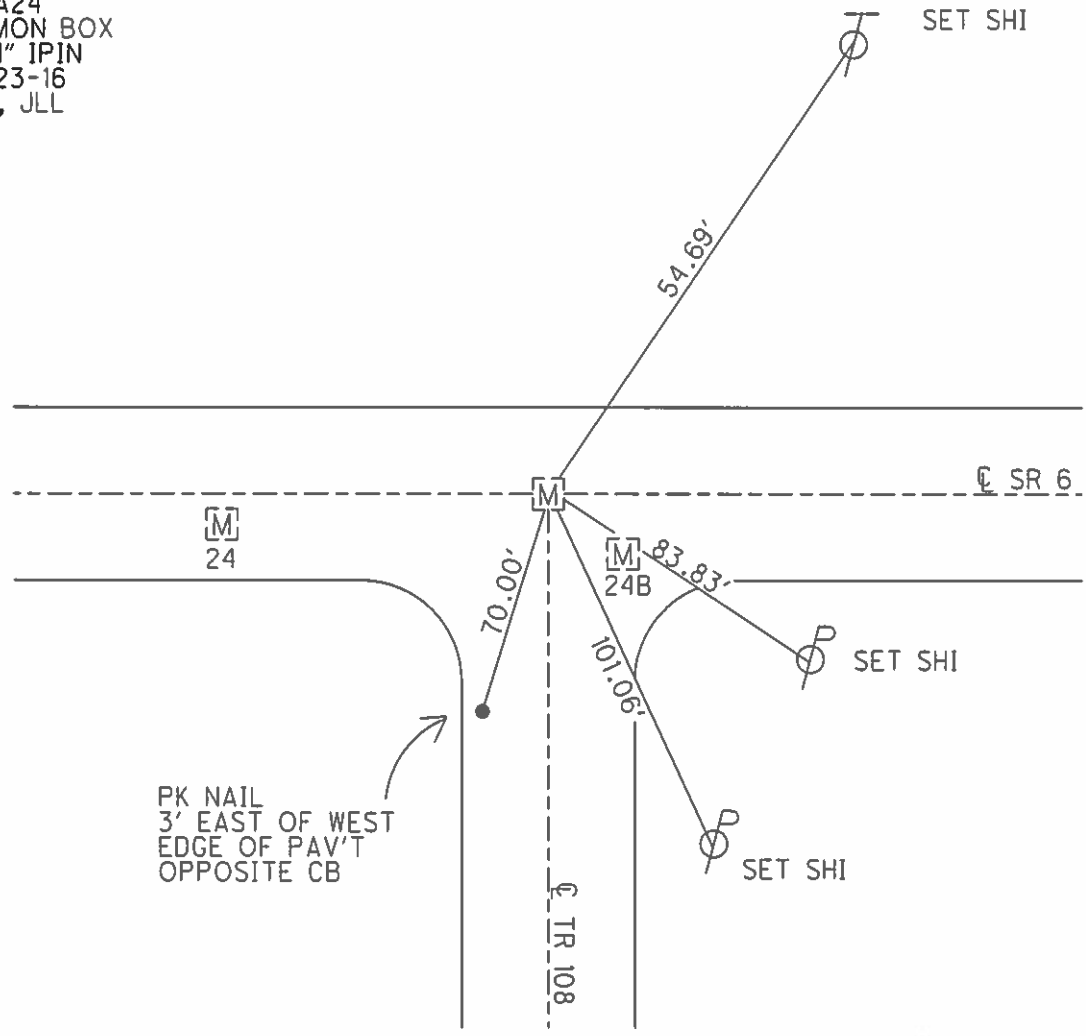
PERSONNEL \_\_\_\_\_ REFERENCE NO. 24 A SHEET 18 OF 25  
 NOTES HOMAN DATE 07/07/04 ROUTE SR 6  
 H.C. NUHFER WEATHER CLOUDY COUNTY SANDUSKY  
 R.C. CANTERBURY TEMP. +75° TOWNSHIP JACKSON  
           BARNHISEL SECTION 1  
           HUSS ADKINS T 4 N R 14 E

TYPE MONUMENT MON BOX W/ IRON PIN  
 ON SURFACE - ~~BELOW~~ ON  
~~LEFT~~ - CL PAV'T - ~~RIGHT~~ ON  
 -      TO      EDGE PAVEMENT  
 S.L.M. 585+84  
 GRID: NORTHING: 611087.577 EASTING: 1775185.001



RECORD: 585+82

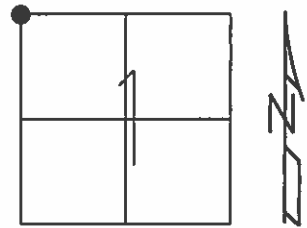
REFA24  
 FD MON BOX  
 W/ 1" IPIN  
 06-23-16  
 DCH, JLL



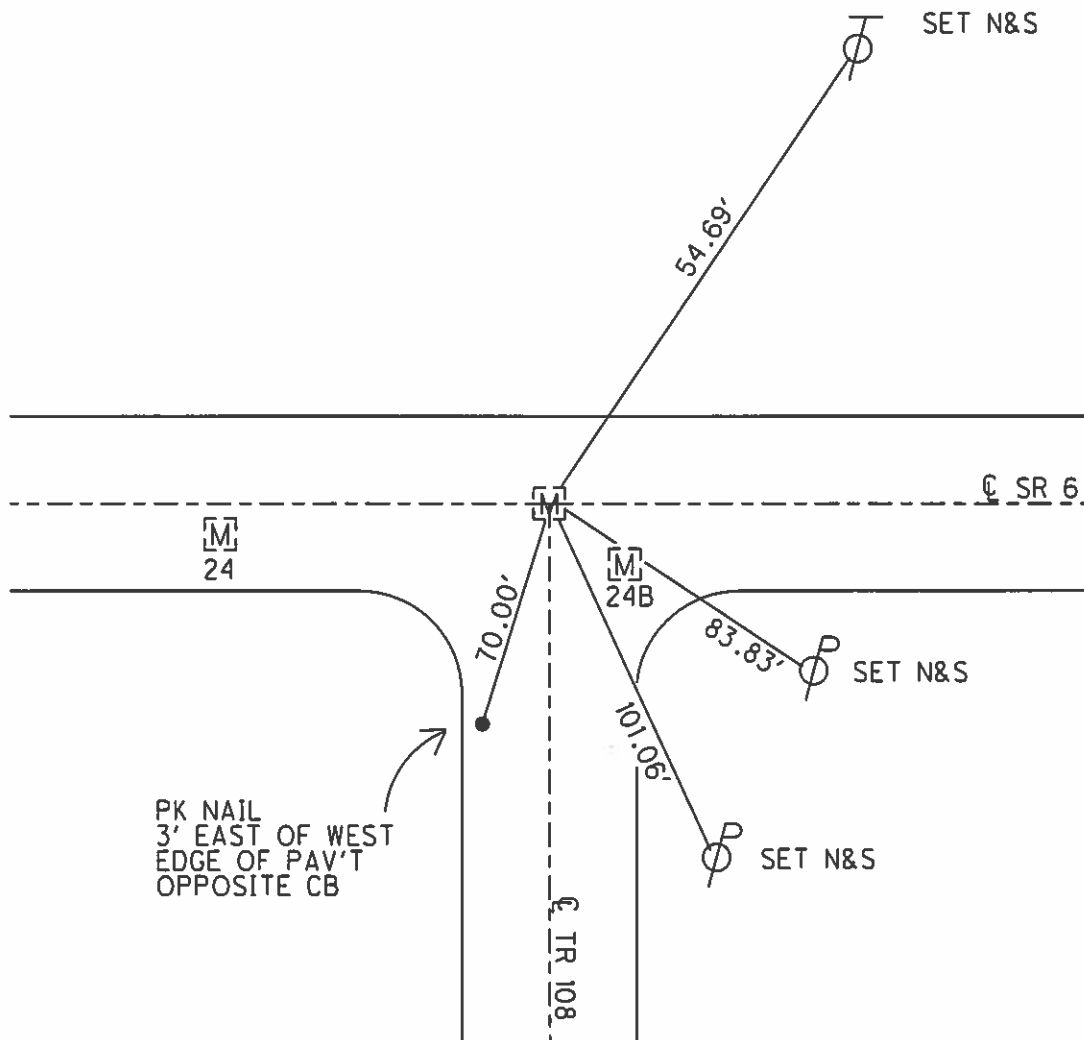
**O.D.O.T. DISTRICT 2 SURVEY OFFICE (USE ONLY)**

PERSONNEL	REFERENCE NO.	24 A	SHEET	18	OF	25
NOTES	HOMAN	DATE	7-7-04	ROUTE	SR 6	
H.C.	NUHFER	WEATHER	CLOUDY	COUNTY	SANDUSKY	
R.C.	CANTERBURY	TEMP.	+75°	TOWNSHIP	JACKSON	
	BARNHISEL			SECTION	1	
	HUSS ADKINS			T	4	N
				R	14	E

TYPE MONUMENT MON BOX W/ IRON PIN  
 ON SURFACE - ~~BELOW~~ ON  
 LEFT - ☉ PAV'T - RIGHT ON  
- TO - EDGE PAVEMENT  
 S.L.M. 585+84  
 GRID: NORTHING: \_\_\_\_\_ EASTING: \_\_\_\_\_



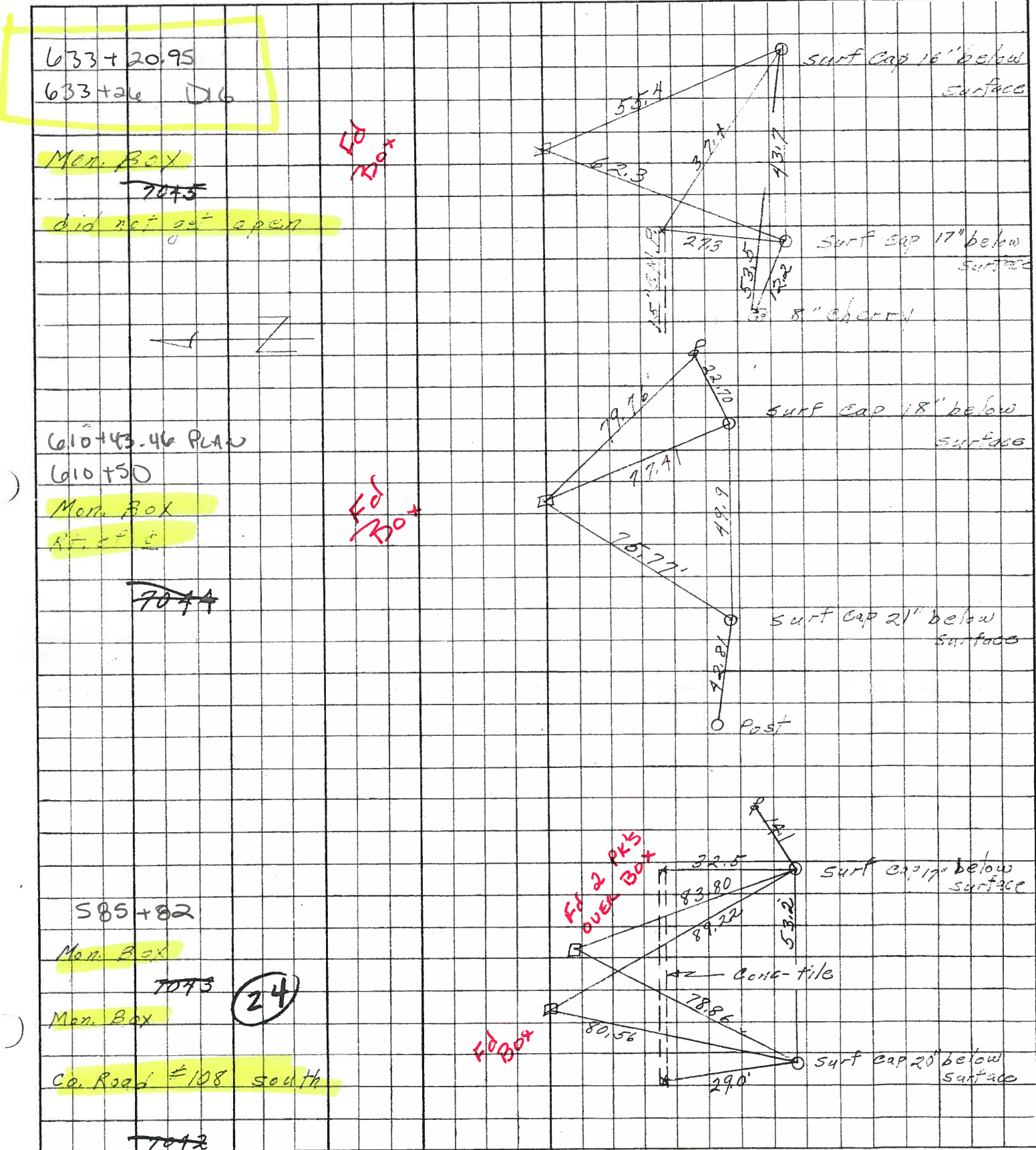
RECORD: 585+82



PERSONNEL	TITLE	PERSONNEL	TITLE
Schneider			
Barker			
Redding			

COUNTY Sardusky DATE Dec. 1952  
 S. R. U.S. #6 WEATHER \_\_\_\_\_  
 SEC. Section East TEMP. \_\_\_\_\_

DESCRIPTION ings for JOB NO. \_\_\_\_\_



633+20.95  
 633+26 D16

Men. Box  
~~7045~~  
 did not get open

610+43.46 PLAN  
 610+50  
 Men. Box  
 Rt. 2' 5"

~~7044~~

585+82  
 Men. Box  
 7073 (24)  
 Men. Box  
 Co. Road #108 south

~~7042~~

PERSONNEL	TITLE	PERSONNEL	TITLE	COUNTY	DATE	WEATHER
ARNOT		GERBER		Sandusky	9/8/60	
HAWK		SWARTZ		S. R. 6		
SCHNEIDER		PFEFFERLE				
MOSSER						
DESCRIPTION SE 35-SW 36 TSN R14E				SEC. San 6 (6.78-9.28)	TEMP.	
				San 590 (6.56)		
				WASHINGTON Twp		
					JOB NO.	
LEFT		CENTER LINE		RIGHT		

Material Encountered:  
 0" = Ground Level = 655.7

0"-2" Blacktop  
 2"-10" Base  
 10"- YELLOW Clay

Hole opened to 30"±  
 Depth. No Stone or other  
 survey mark encountered.

Hole opened @ Sta.  
 583+87± 9' RIGHT

?

DID NOT FIND  
 Anything

Centerline of Survey

