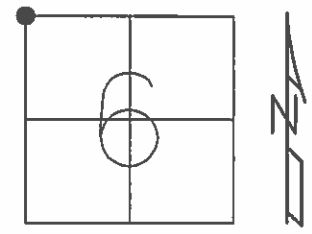


O.D.O.T. DISTRICT 2 SURVEY OFFICE (USE ONLY)

PERSONNEL \_\_\_\_\_ REFERENCE NO. 25 AB SHEET 22 OF 25  
 NOTES HOMAN DATE 07/08/04 ROUTE SR 6  
 H.C. NUHFER WEATHER CLOUDY COUNTY SANDUSKY  
 R.C. CANTERBURY/HUSS TEMP. +65° TOWNSHIP BALLVILLE  
BARNHISEL SECTION 6  
HUSS/ADKINS T 4 N R 15 E

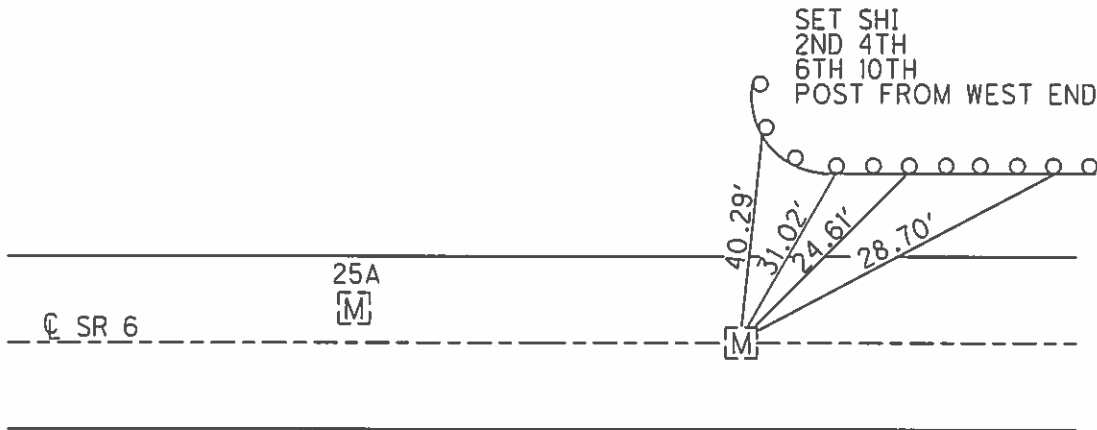
TYPE MONUMENT MON BOX W/ IRON PIN  
 ON SURFACE - ~~BELOW~~ ON  
 LEFT - ~~C PAV'T~~ - ~~RIGHT~~ 0.5'  
11.7' TO LT. EDGE PAVEMENT  
 S.L.M. 636+74



GRID: NORTHING: 61182.124 EASTING: 1780265.867

RECORD: 636+67.30

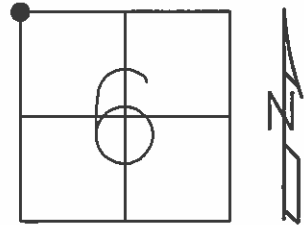
REFB25  
 FD MON BOX  
 W/ 1" IPIN  
 06/23/16  
 DCH, JLL



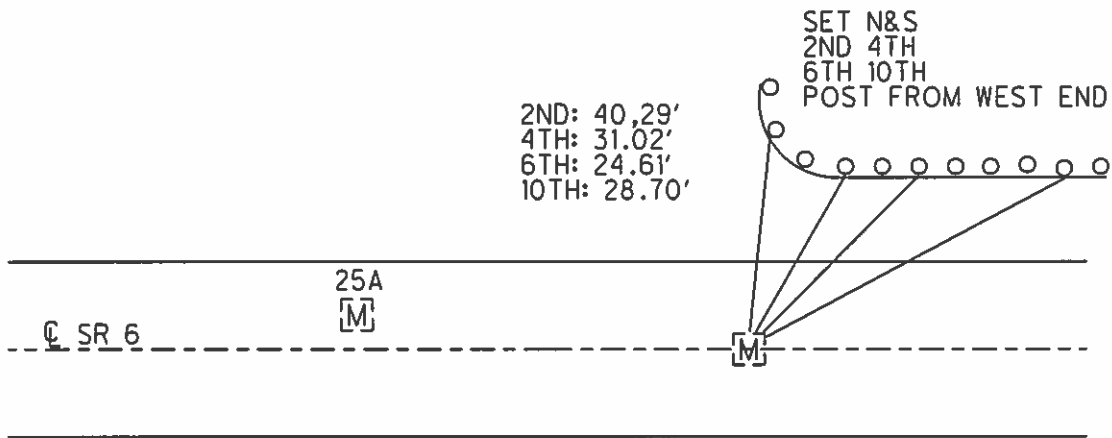
**O.D.O.T. DISTRICT 2 SURVEY OFFICE (USE ONLY)**

PERSONNEL	REFERENCE NO.	25 AB	SHEET	22	OF	25
NOTES	HOMAN	DATE	7-8-04	ROUTE	SR	6
H.C.	NUHFER	WEATHER	CLOUDY	COUNTY	SANDUSKY	
R.C.	CANTERBURY/HUSS	TEMP.	+65°	TOWNSHIP	BALLVILLE	
	BARNHISEL			SECTION	6	
	HUSS/ADKINS			T	4	N R 15 E

TYPE MONUMENT MON BOX W/ IRON PIN  
 ON SURFACE - ~~BELOW~~ ON  
 LEFT - ☉ PAV'T ~~RIGHT~~ 0.5'  
11.7' TO LT EDGE PAVEMENT  
 S.L.M. 636+74  
 GRID: NORTHING: \_\_\_\_\_ EASTING: \_\_\_\_\_

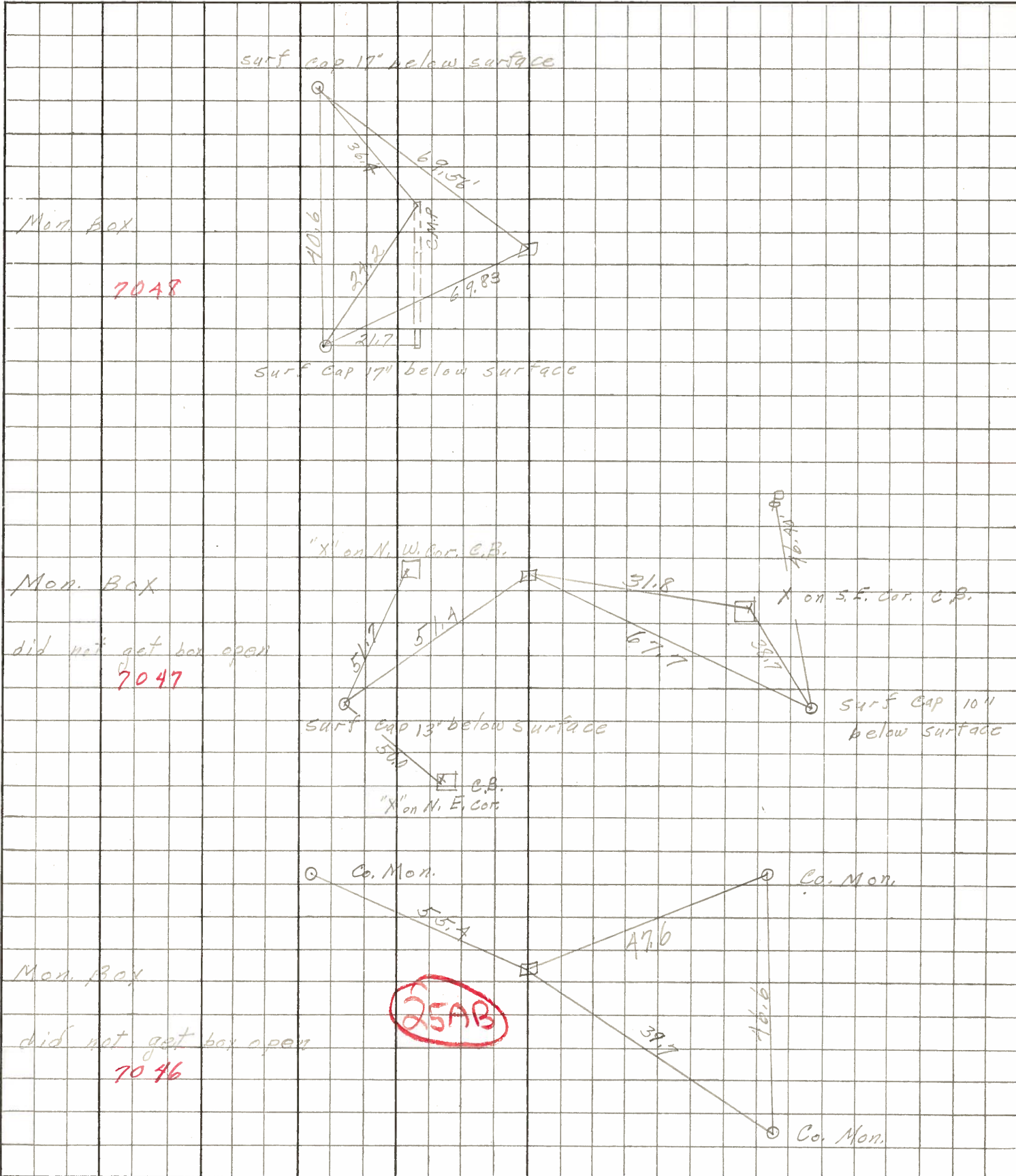


RECORD: 636+67.30



PERSONNEL	TITLE	PERSONNEL	TITLE	COUNTY	DATE	WEATHER	TEMP.
Schneider				Sandusky	Dec-8; 1967	Cloudy	
Barbour				S. R. U.S. # 6			
Reading				SEC. Helena E. T.			
Potts							

DESCRIPTION Ties for Control Points JOB NO. \_\_\_\_\_



PERSONNEL	TITLE	PERSONNEL	TITLE	COUNTY	DATE
ARNOT		GERBER		Sandusky	9/9/60
HAWK		SWARTZ		S. R.	6
SCHNEIDER		Pafferle		SEC.	San 6 (6.78-9.28)
MOSSER					San 590 (6.56)
WEATHER					TEMP.
DESCRIPTION	Int T4-SN & R14-15 E			JOB NO.	
	LEFT	CENTER LINE	RIGHT		

Material Encountered:

Sta 636+67.30

0" - Ground Level = 648.8

0-4" Black top & Sand cushion

4" - Concrete slab (no apparent marks)

SEE  
172-X

Did not dig further - construction plans 1928 indicated considerable earth work in this area for bridge. Original fieldwork as to location of this point skimpy & of questionable accuracy.

Fd Box

centerline of survey

PERSONNEL	TITLE	PERSONNEL	TITLE	COUNTY	DATE	WEATHER	TEMP
Hank		Barbour		Sand.	4-3-60	Snow Partly-Cloudy	30
Schneider				S. R.	U.S.#6		
Kowaleski				SEC	Helena East		
Messer							

DESCRIPTION 1/2 sec. Line Ties JOB NO. \_\_\_\_\_

