

O.D.O.T. DISTRICT 2 SURVEY OFFICE

PERSONNEL

REFERENCE NO. 30-B

SHEET 8 OF 17

NOTES HOMAN

DATE 8/06/09

ROUTE US 6

H.C. HOMAN

WEATHER SUNNY

COUNTY SANDUSKY

R.C. ROUSOS

TEMP. 80°

TOWNSHIP RILEY

SECTION 19

T 5 N R 16 E

TYPE MONUMENT P.K. & WASHER

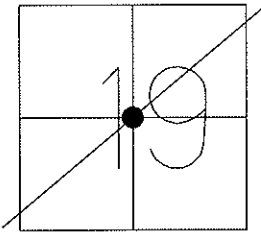
~~ON SURFACE - BELOW~~ 3"

~~LEFT - C PAV'T - RIGHT~~ 2.5'

TO EDGE PAVEMENT

S.L.M. 1086+30.81

GPS Northing: 624241.837 Easting: 1815386.030

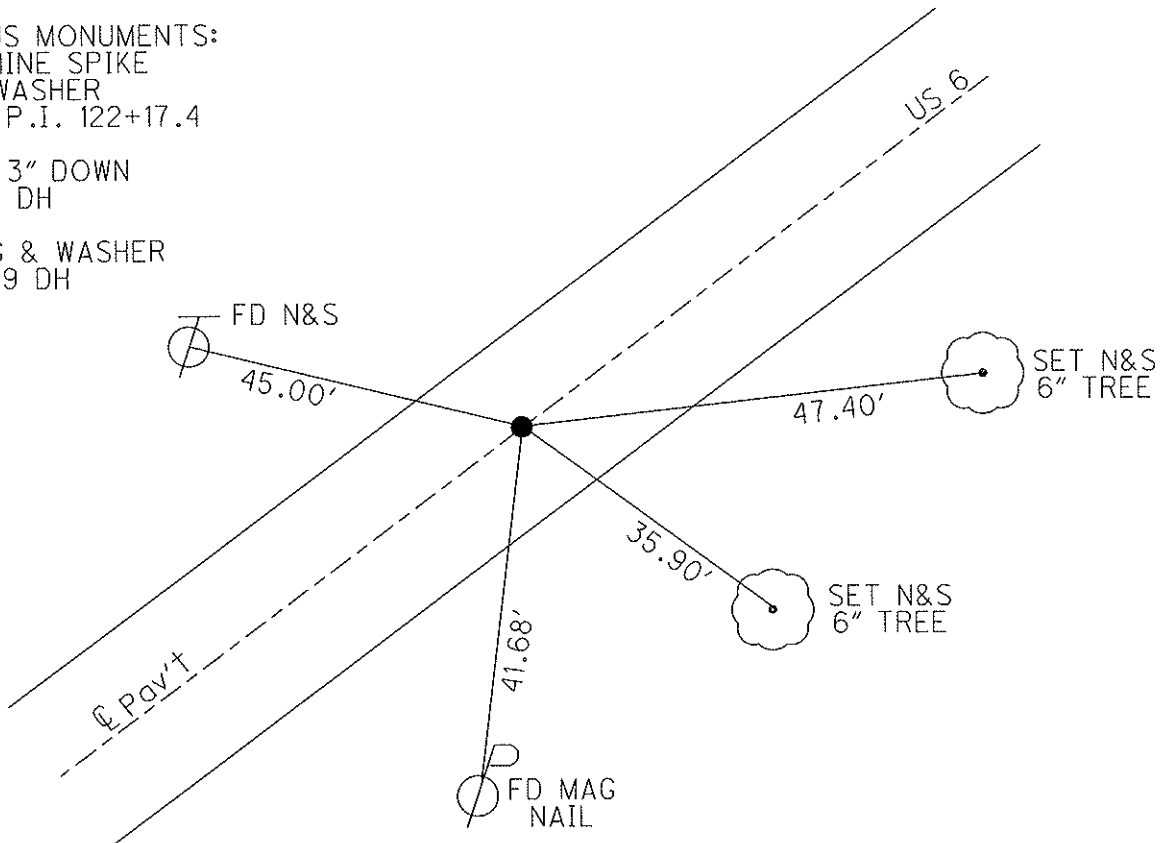


NOTE: 9/03/91  
P.I. WAS CHANGED IN THE  
FIELD. DOES NOT CONFORM  
WITH 1926 PLAN, STA. 122+17.4  
JACK CRONIN 1975

PREVIOUS MONUMENTS:  
SMALL MINE SPIKE  
P.K. & WASHER  
RECORD P.I. 122+17.4

FD P.K. 3" DOWN  
6/10/09 DH

SET MAG & WASHER  
10/29/09 DH



# O.D.O.T. DISTRICT 2 SURVEY OFFICE

PERSONNEL \_\_\_\_\_

REFERENCE NO. 30-B

SHEET 5 OF 39

NOTES RIPPLE

H.C. BARBOUR

R.C. GEYMAN

DATE 9-3-1991

WEATHER \_\_\_\_\_

TEMP. 90°

ROUTE 6

COUNTY SANDUSKY

TOWNSHIP RILEY

SECTION 19

T. \_\_\_\_\_ R. \_\_\_\_\_

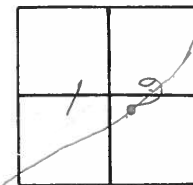
TYPE MONUMENT PK/WASHER

ON SURFACE - ~~BELOW~~ yes

~~LEFT~~ - ~~CL~~ PAV'T. - RIGHT 2.5'

\_\_\_\_\_ TO \_\_\_\_\_ EDGE PAVEMENT

S.L.M. 1094+67



PREVIOUS MONUMENTS:

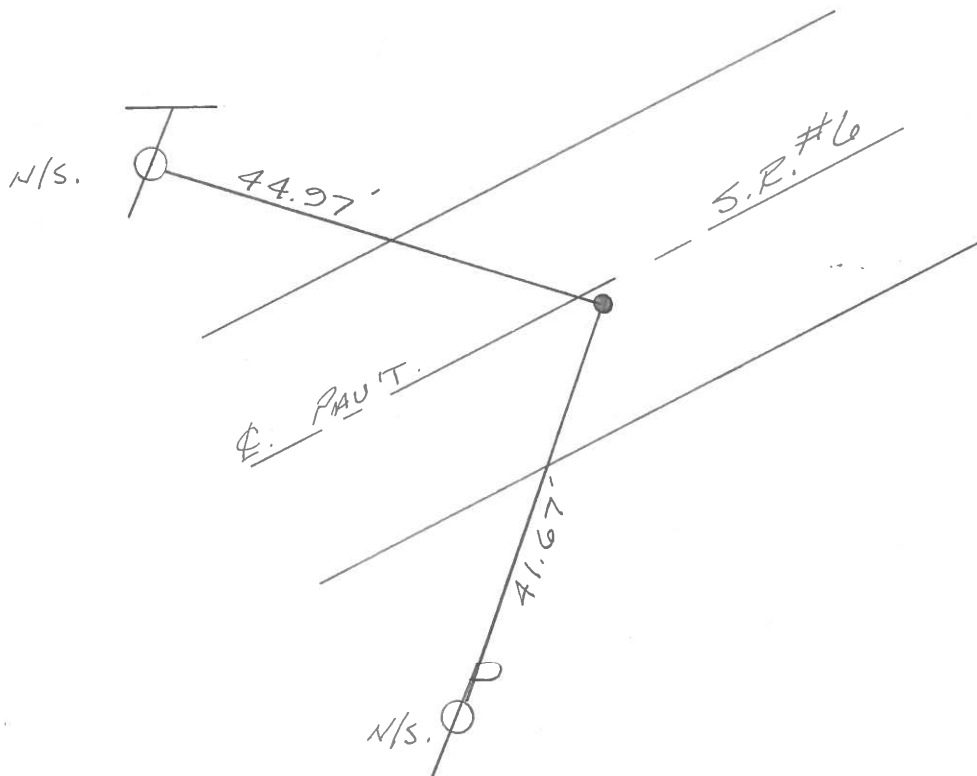
P.K/WASHER

SMALL MINE SPIKE

RECORDS:

P.I. 122+17.4

\*NOTE: P.I. HAS BEEN CHANGED, DOES NOT CONFORM WITH 1926 PLANS. OLD STA. 122+17.4  
 JACK CROWLIN 1975



PERSONNEL TITLE PERSONNEL TITLE

SHEET NO. 4

Crosby Schneider  
Coyne Messer  
Barbour

COUNTY Sandusky

DATE 7/28/75

S. R. #6

WEATHER sunny

SEC. 4 - Fremont - East

TEMP. 80°

DESCRIPTION Ties for Control Points

JOB NO.

LEFT

CENTER LINE

RIGHT

Riley Twp

Sec. 20

4-25-79

70°

1131+98

Reset P.K. & washer

8/13/79 70°

4/02/91

39°

Set P.K. & Washer

9/03/91 Temp. 90°

P.I.

159+54.15

set small spike

and shiner

2' E. & Fremont

17.10'

28" e/m STump  
New N.E.S.  
ON TOP of

Sec. 20

Sec. 19

R. S. C. #6

30B

Set P.K. & Washer

9/03/91

39° Temp. 90°

Note: P.I. was changed  
in the field. Does  
not conform with  
1925 Plans

P.I.

1094+67

122+17.4

Set small mine spike

2.5' E. & Fremont

Reset P.K. & washer

8/03/79

44.98'

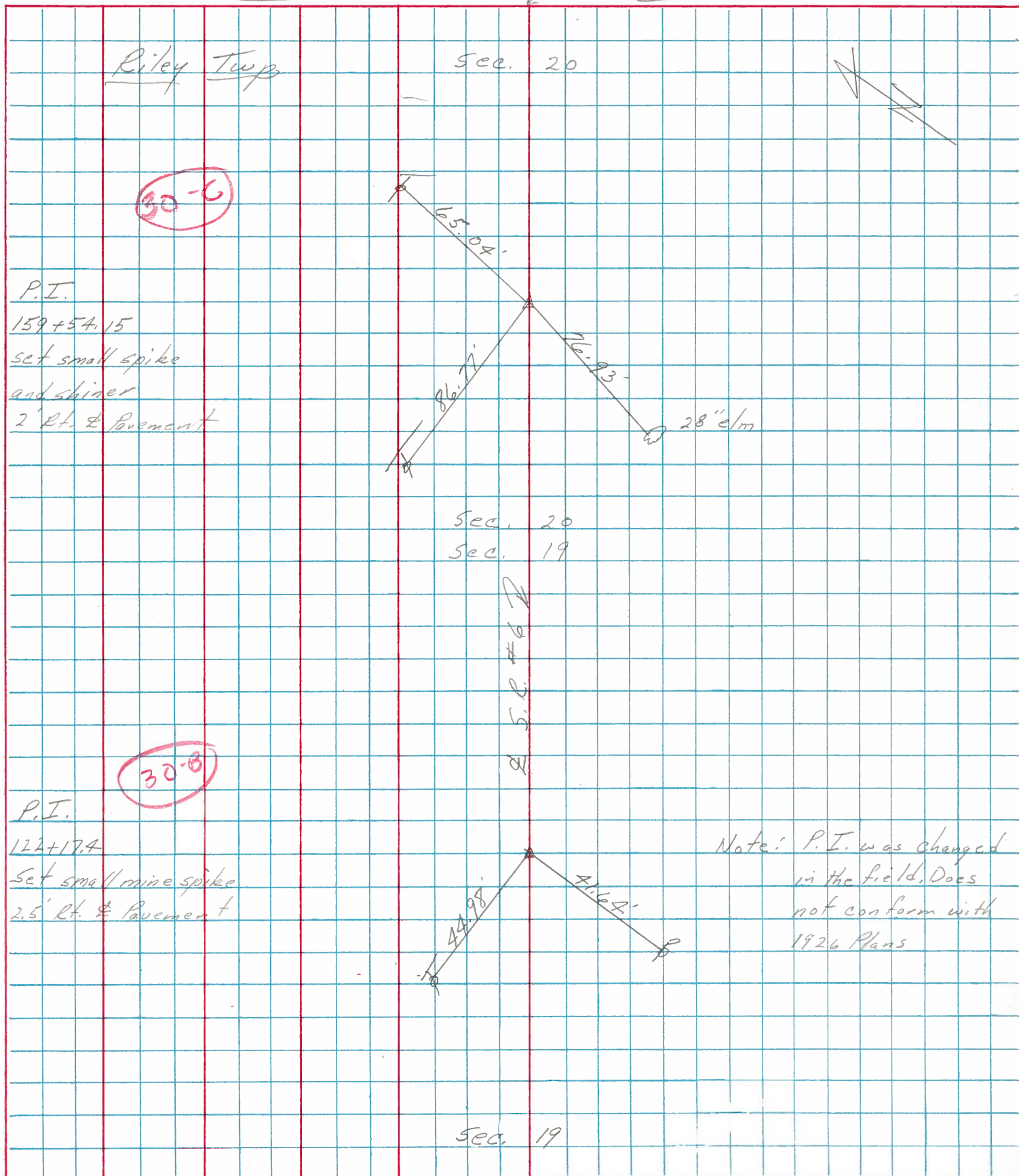
71.67'

Sec. 19

| PERSONNEL | TITLE | PERSONNEL | TITLE |
|-----------|-------|-----------|-------|
| Cronin    |       | Schneider |       |
| Geyman    |       | Messer    |       |
|           |       | Barbour   |       |

COUNTY Sandusky DATE 7/28/75  
 S. R. # 6 WEATHER Sunny  
 SEC. "4" - Fremont - East TEMP. 80°

DESCRIPTION Ties for Control Points JOB NO. \_\_\_\_\_



Note: P.I. was changed in the field. Does not conform with 1926 Plans