

O.D.O.T. DISTRICT 2 SURVEY OFFICE (USE ONLY)

PERSONNEL

REFERENCE NO. 39 A

SHEET 8 OF 34

NOTES ROUSOS

DATE 3/16/02

ROUTE US 6

H.C. VAN DUSEN

WEATHER WINDY

COUNTY SANDUSKY

R.C. MOSSER

TEMP. 28°

TOWNSHIP RILEY

HOMAN

SECTION 11

DWG BY AUBLE PID 95769

T 5 N R 16 E

TYPE MONUMENT 1" IPIN

ON SURFACE - BELOW -

OFFSET \varnothing PAVEMENT - LT : RT

35' LT TO LT EDGE PAVEMENT

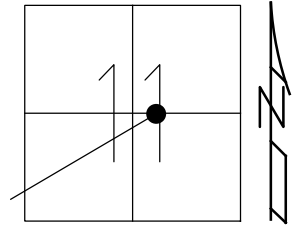
STATION: 1337+24

HORIZ.DATUM: NAD83 (2011)

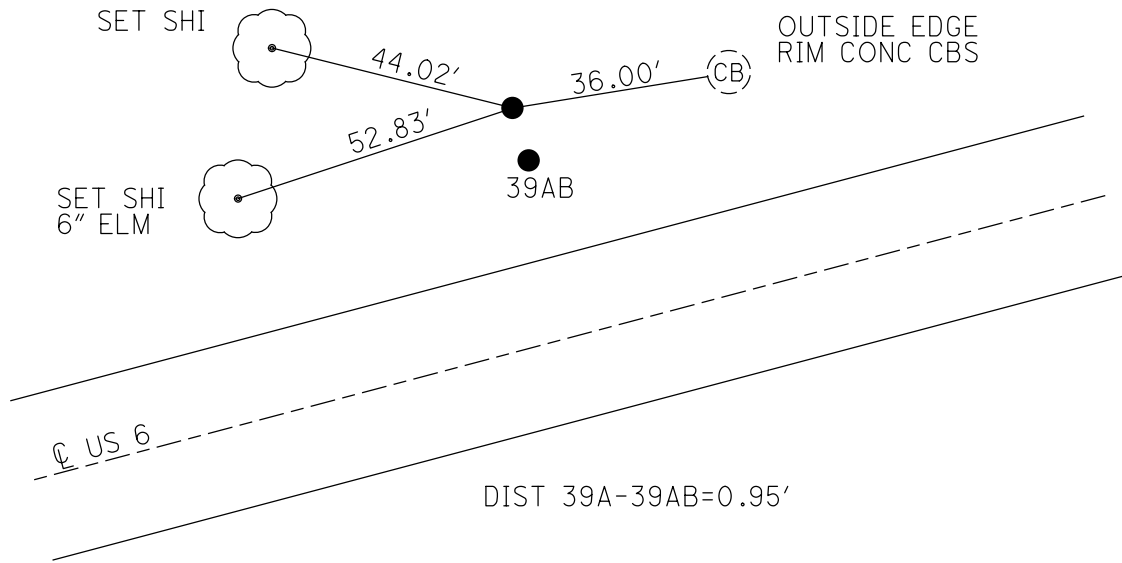
GEOID: 2012A

GRID: NORTHING: 634939.065

EASTING: 1836799.243



RECORD: P.I.
 CONST.
 OLD STA 1338+85.97
 FD 1" IPIN
 3/16/02, DCH
 FD 1" IPIN
 2" DOWN
 REFB39
 11/22/17, DCH



O.D.O.T. DISTRICT 2 SURVEY OFFICE (USE ONLY)

PERSONNEL

REFERENCE NO. 39 A

SHEET 8 OF 34

NOTES ROUSOS

DATE 3/16/02

ROUTE US 6

H.C. VAN DUSEN

WEATHER WINDY

COUNTY SANDUSKY

R.C. MOSSER

TEMP. 28°

TOWNSHIP RILEY

HOMAN

SECTION 11

DWG BY AUBLE

PID 95769

T 5 N R 16 E

TYPE MONUMENT 1" IPIN

ON SURFACE - BELOW -

OFFSET \odot PAVEMENT - $\overline{\overline{\text{L}}}$: RT

35' LT TO LT EDGE PAVEMENT

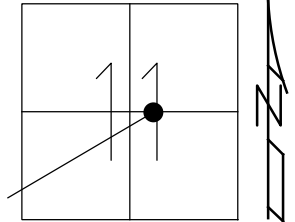
STATION: 1337+24

HORZ.DATUM: NAD83 (2011)

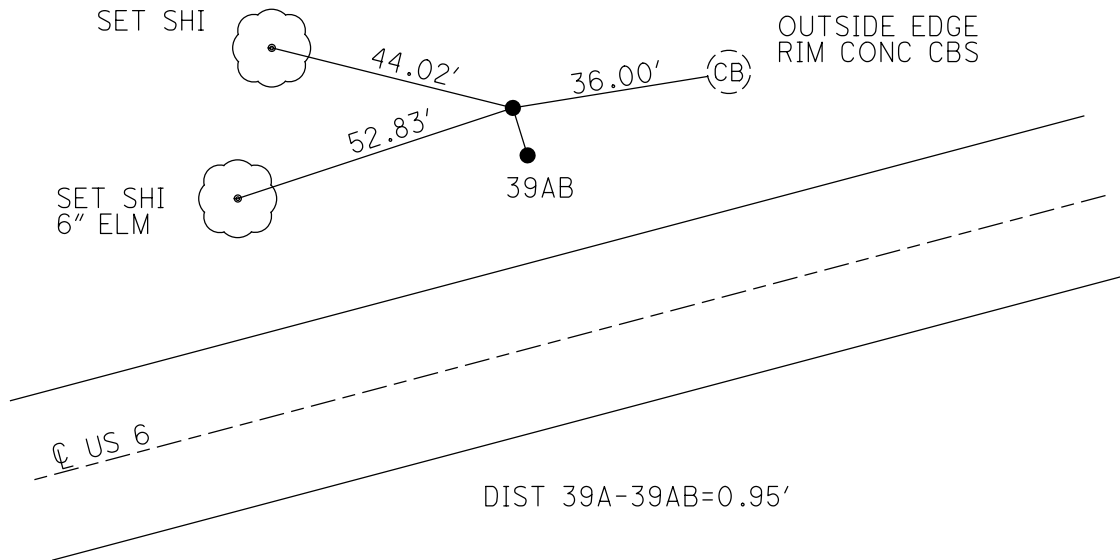
GEOID: 2012A

GRID: NORTHING: 634939.065

EASTING: 1836799.243



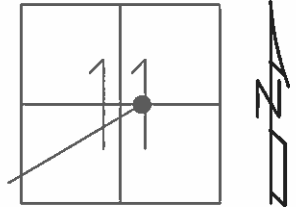
RECORD: P.I.
 CONST.
 OLD STA 1338+85.97
 FD 1" IPIN
 3/16/02, DCH
 FD 1" IPIN
 2" DOWN
 REFB39
 11/22/17, DCH



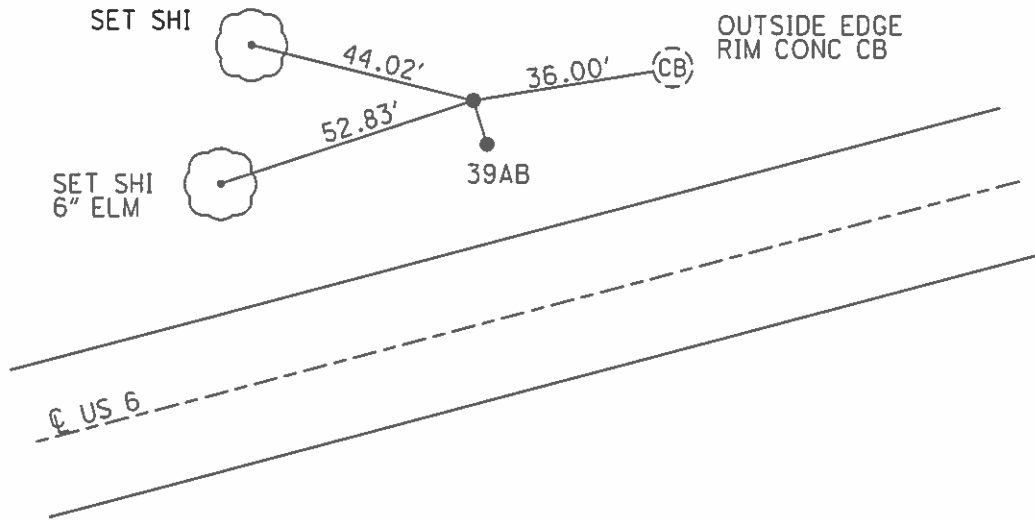
O.D.O.T. DISTRICT 2 SURVEY OFFICE (USE ONLY)

PERSONNEL _____ REFERENCE NO. 39 A SHEET 7 OF 31
 NOTES ROUSOS DATE 03/16/02 ROUTE US 6
 H.C. VAN DUSEN WEATHER WINDY COUNTY SANDUSKY
 R.C. MOSSER TEMP. 28° TOWNSHIP RILEY
 _____ HOMAN _____ SECTION 11
 _____ T. 5 N R. 16 E

TYPE MONUMENT 1" IPIN
 ON SURFACE - BELOW _____
 LEFT - ☉ PAV'T - RIGHT _____
35.0' TO N EDGE PAVEMENT
 S.L.M. 1337+24
 GRID: NORTHING: _____ EASTING: _____



RECORD:
 OLD STA 1338+85.97 (SAN-6-22.64-25.02)
 PT. CONST
 DIST 39A-39AB=0.95'



O.D.O.T. DISTRICT 2 SURVEY OFFICE

PERSONNEL

REFERENCE NO. 39-A

SHEET 7 OF 27

NOTES ROUSOS

DATE 3/16/02

ROUTE ~~SR~~ ^{US} 6

H.C. VAN DUSEN

WEATHER WINDY

COUNTY SANDUSKY

R.C. MOSSER

TEMP. 28°

TOWNSHIP RILEY

HOMAN

SECTION 11

T5 N R16 E

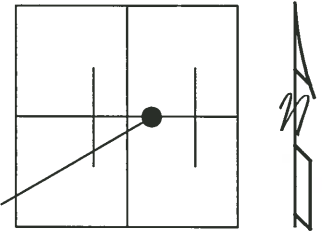
TYPE MONUMENT "A"=1" ROD "B"=1" O. D. PIPE

ON SURFACE - BELOW

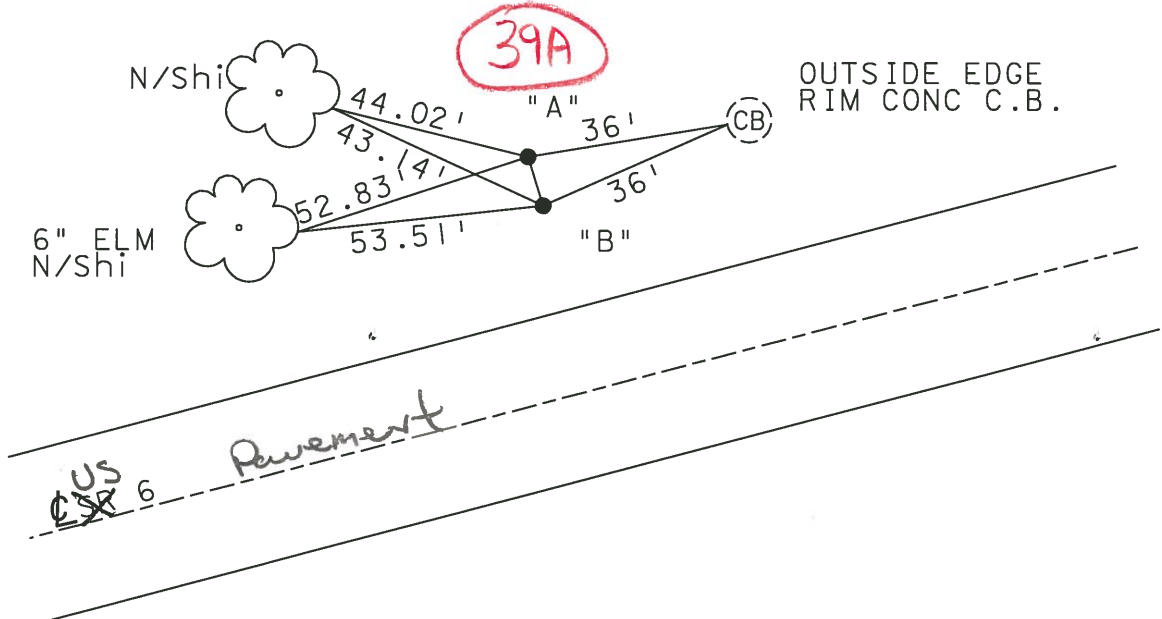
~~LEFT - C PAV'T - RIGHT~~

35' TO N EDGE PAVEMENT

S.L.M. 1337+24



"A"
 OLD STA 1338+85.97 (SAN-6-22.64-25.02)
 P.I., CONST.
 "B"
 OLD STA 96+68.12 (SAN-6-22.64-25.02)
 P.I. SURVEY & R/W 1338+85.77



DIST "A" - "B" = 0.95'

O.D.O.T. DISTRICT 2 SURVEY OFFICE

PERSONNEL _____

REFERENCE NO. _____

SHEET 19 OF 39

NOTES CHENEY

H.C. RIPPLE

DATE 9-16-1991

ROUTE 6

R.C. BARBOUR

WEATHER SUNNY

COUNTY SANDUSKY

TEMP. 85°

TOWNSHIP RILEY

SECTION 11

T 5 N R 16 E

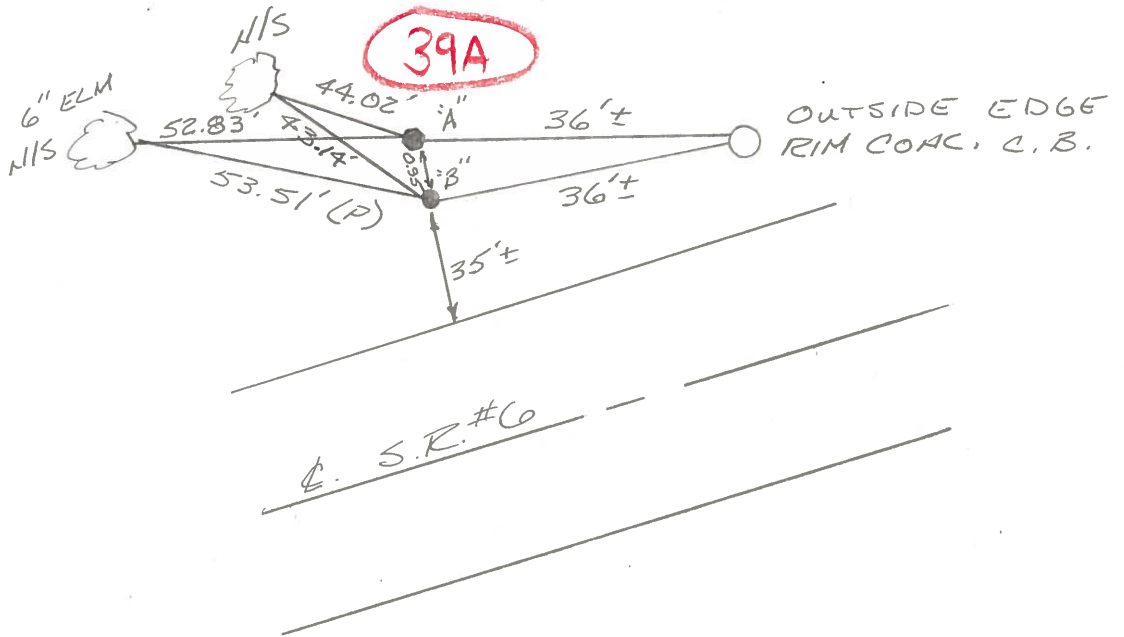
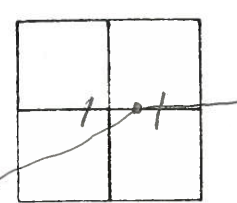
TYPE MONUMENT "A" = 1" ROD "B" = 1" O.D. PIPE

ON SURFACE - BELOW _____

LEFT - ☉ PAV'T. - RIGHT _____

35' S. TO N EDGE PAVEMENT

S.L.M. 1337+24



"A"

OLD STA. 1338+85.97 (SAN-6-[22.64-25.02])

P.I. CONST.

"B"

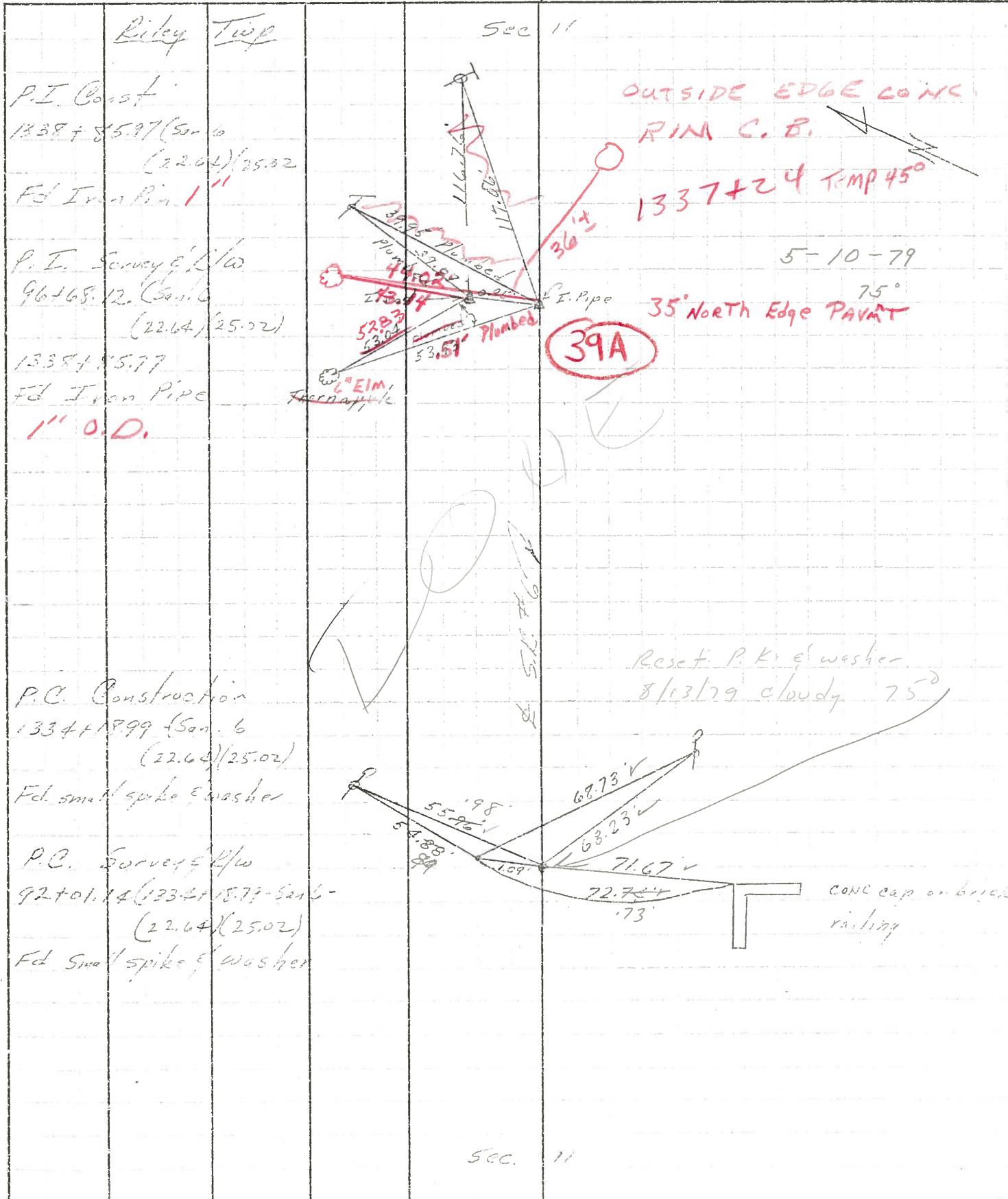
OLD STA. 96+68.12 (SAN-6-[22.64-25.02])

P.I. SURVEY & R/W. 1338+85.77

PERSONNEL	TITLE	PERSONNEL	TITLE
Crain		Schneider	
Ash		Muser	
Gayman		Boebur	

COUNTY Sandusky DATE 7/29/75
 S. R. # 6 WEATHER SUNNY
 SEC. "I" - Fremont-East TEMP. 80°

DESCRIPTION Ties for Control Points JOB NO. _____



SEC. 11

PERSONNEL TITLE PERSONNEL TITLE

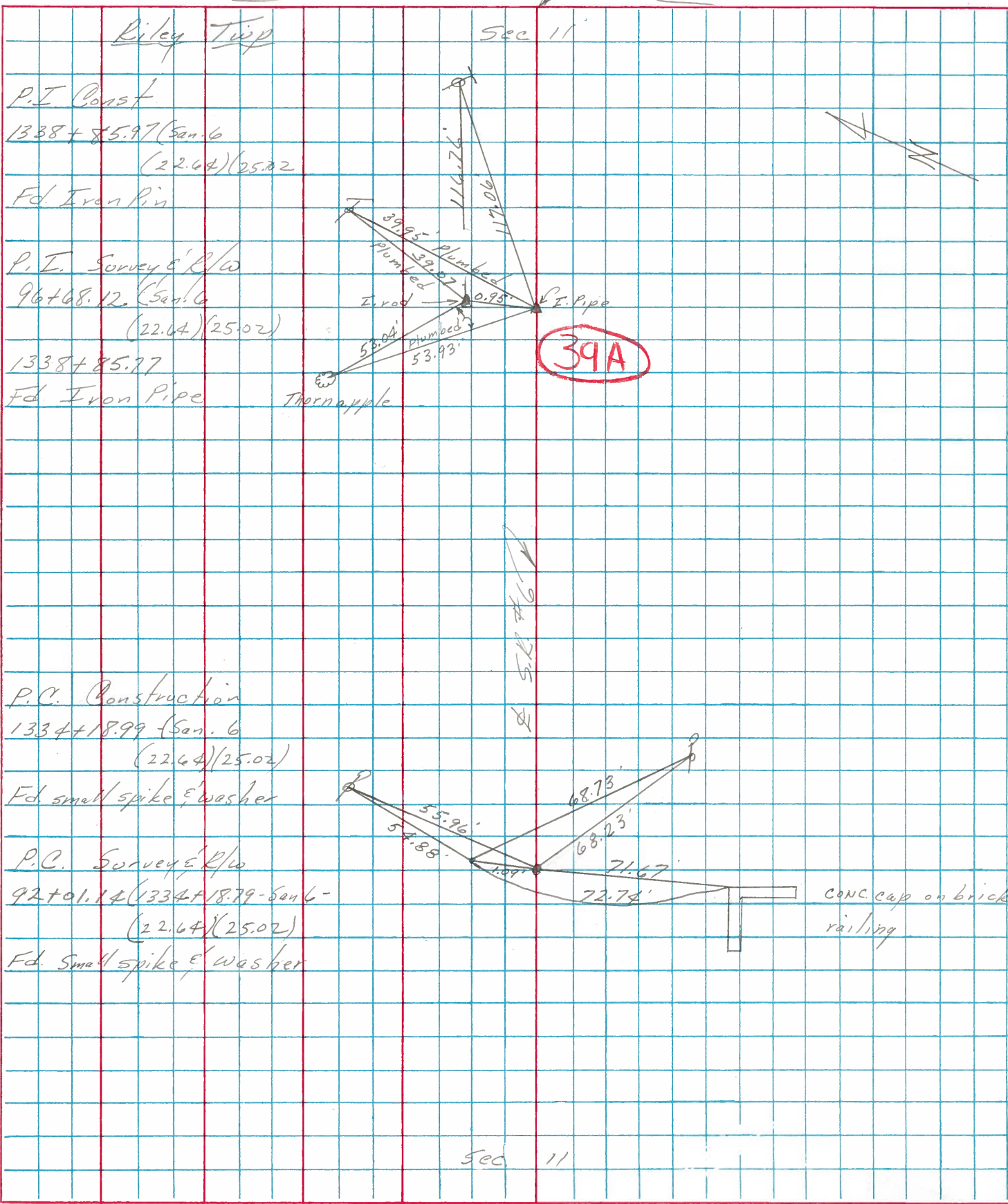
Croazin Schneider
Ash Mosser
Geyman Barbour

COUNTY Sandusky DATE 7/29/75

S. R. #6 WEATHER sunny

SEC. "I" - Fremont-East TEMP. 80°

DESCRIPTION Ties for Control Points LEFT CENTER LINE RIGHT JOB NO.



PERSONNEL	TITLE	PERSONNEL	TITLE	COUNTY	DATE
Schneider		Potts		Sandusky	Dec-19

Mosser				S. R.	WEATHER
Barbour				U.S. # 6	

Redding				SEC.	TEMP.
				Fremont-East	

DESCRIPTION	Ties for Control Points	JOB NO.
-------------	-------------------------	---------

