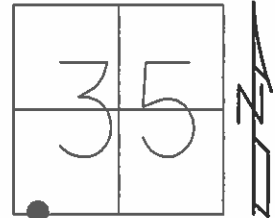


O.D.O.T. DISTRICT 2 SURVEY OFFICE (USE ONLY)

PERSONNEL _____ REFERENCE NO. 1 SHEET 1 OF 25
 NOTES WESTFALL DATE 5-6-15 ROUTE SR 12
 H.C. O'DONNELL WEATHER SUNNY COUNTY SANDUSKY
 R.C. LEU TEMP. 65°F TOWNSHIP JACKSON
 _____ SECTION 35
 _____ T 4 N R 14 E

TYPE MONUMENT PK/WASHER
 ON SURFACE - ~~BELOW~~ ON
 LEFT - Q PAV'T - RIGHT ON
- TO - EDGE PAVEMENT
 S.L.M. 0+00



GRID: NORTHING: 578805.4063 EASTING: 1769210.153

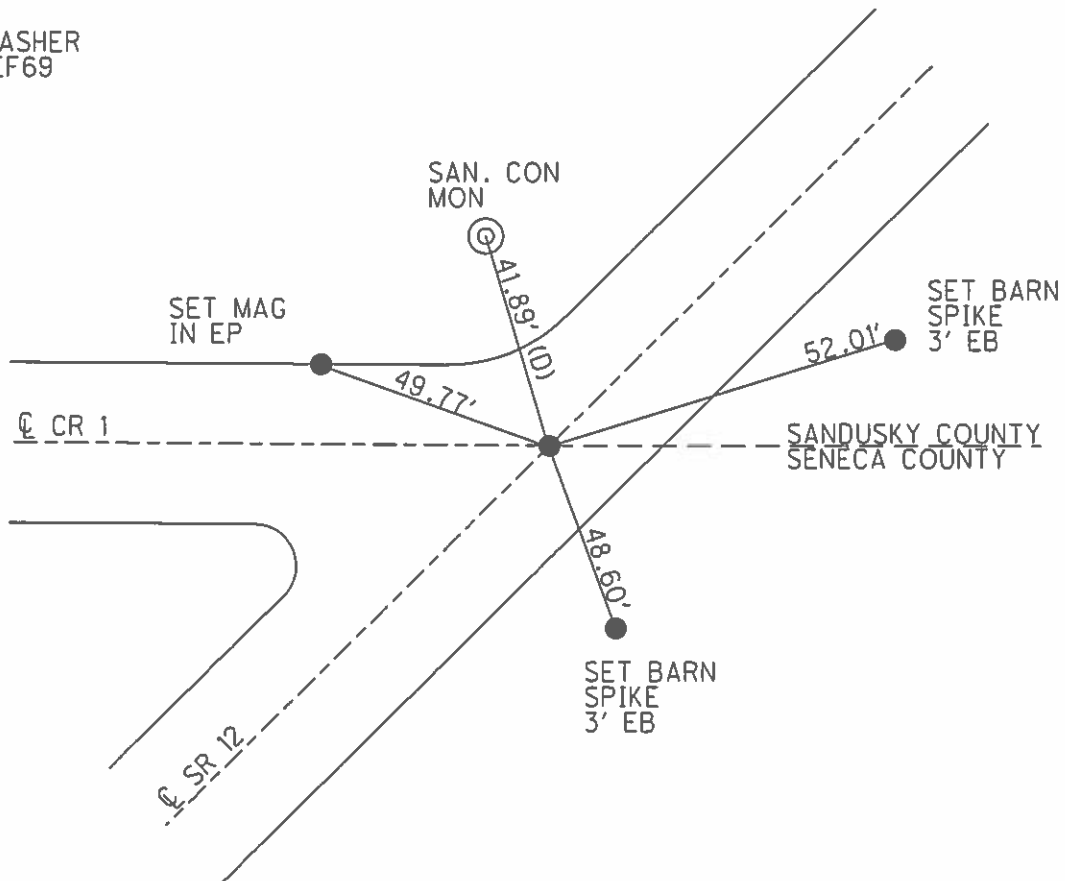
RECORD:
 PK/WASHER
 ATOP RR. SPK

NOTE: SEN SR 12=REF69

SET MAG/WASHER
 4-24-03, DCH

FD MAG/WASHER
 2-5-13

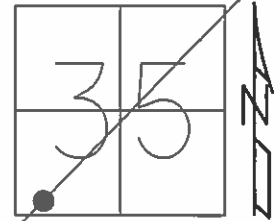
SET MAG/WASHER
 GPS, NEWREF69
 9-2-16



O.D.O.T. DISTRICT 2 SURVEY OFFICE (USE ONLY)

PERSONNEL _____ REFERENCE NO. 1 A SHEET 2 OF 25
 NOTES WESTFALL DATE 05-06-15 ROUTE SR 12
 H.C. O'DONNELL WEATHER SUNNY COUNTY SANDUSKY
 R.C. LEU TEMP. 65°F TOWNSHIP JACKSON
 _____ SECTION 35
 _____ T 4 N R 14 E

TYPE MONUMENT PK/WASHER
~~ON SURFACE~~ - BELOW 0.3'
~~LEFT~~ - CL PAV'T - RIGHT 1.0'
14.5' TO LT EDGE PAVEMENT
 S.L.M. 4+92.59



Grid: Northing: 579136.2995 Easting: 1769575.035

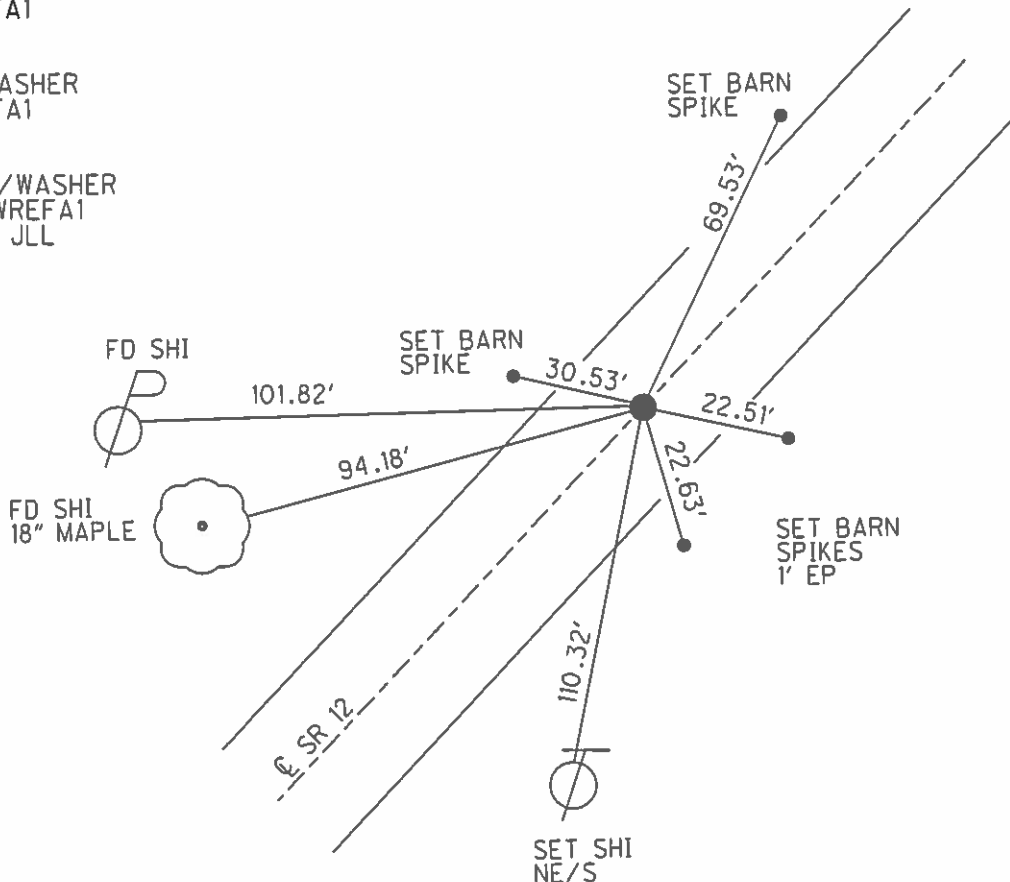
RECORD:
 P.I. $\Delta=0^{\circ}55'$ LT
 STA 4+92.50

SET P.K./WASHER
 11-3-94, CL

FD P.K. SHANK
 GPS, REFA1
 2-15-13

FD PK/WASHER
 GPS, REFA1
 5-6-15

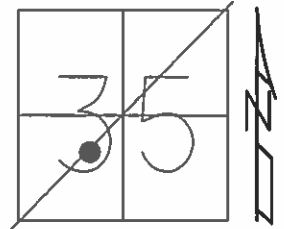
SET MAG/WASHER
 GPS, NEWREFA1
 9-27-16, JLL



O.D.O.T. DISTRICT 2 SURVEY OFFICE (USE ONLY)

PERSONNEL _____ REFERENCE NO. 1 B SHEET 3 OF 25
 NOTES O'DONNELL DATE 5-27-15 ROUTE SR 12
 H.C. LEU WEATHER SUNNY COUNTY SANDUSKY
 R.C. RHOADES TEMP. 70°F TOWNSHIP JACKSON
 _____ SECTION 35
 _____ T 4 N R 14 E

TYPE MONUMENT PK/WASHER
 ON SURFACE - ~~BELOW~~ ON
~~LEFT~~ - C PAV'T - RIGHT 0.5'
14' TO LT EDGE PAVEMENT
 S.L.M. 19+43.03
 Grid: Northing: 580127.7717 Easting: 1770633.667



RECORD:
 P.I. $\Delta=0^{\circ}45'$ LT
 STA 19+42.95

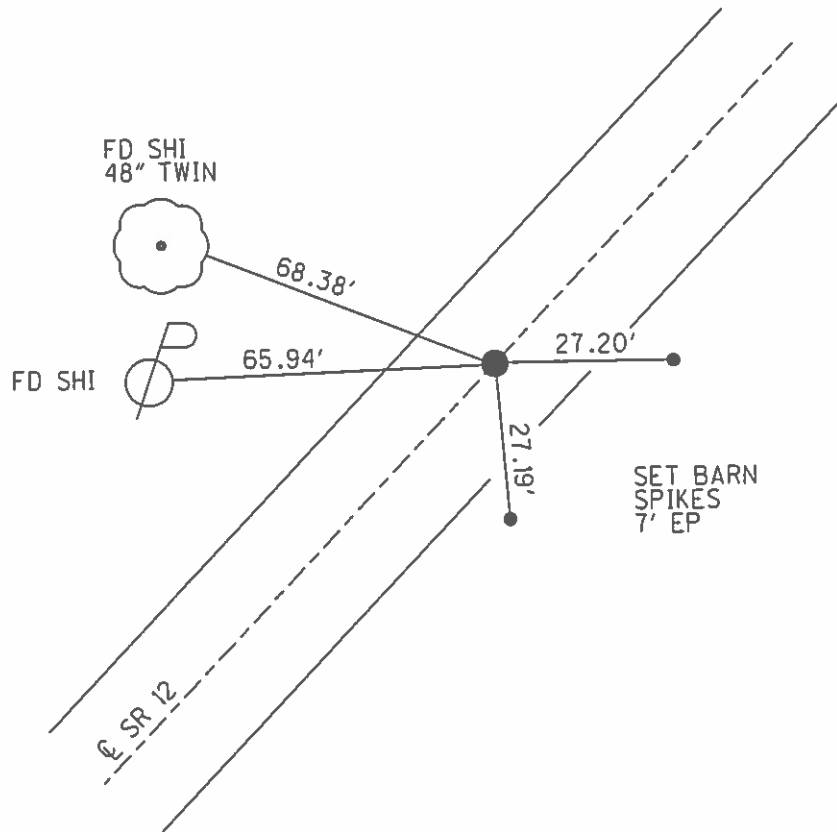
SET P.K./WASHER
 11-3-94, CL

PREVENTIVE MAINTENANCE
 MICROSURFACED 2000
 EXISTING POINT UNCOVERED
 DATE 9-12-00, MC

FD PK/WASHER
 GPS, REFB1
 2-26-13

FD PK/WASHER
 GPS, REFB1
 5-27-15

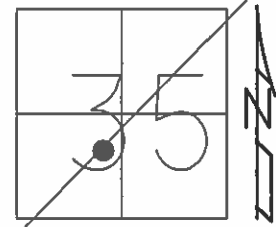
SET MAG/WASHER
 GPS, NEWREFB1
 9-27-16, JLL



O.D.O.T. DISTRICT 2 SURVEY OFFICE (USE ONLY)

PERSONNEL _____ REFERENCE NO. 1C SHEET 4 OF 25
 NOTES O'DONNELL DATE 5-27-15 ROUTE SR 12
 H.C. LEU WEATHER SUNNY COUNTY SANDUSKY
 R.C. RHOADES TEMP. 75°F TOWNSHIP JACKSON
 _____ SECTION 35
 _____ T 4 N R 14 E

TYPE MONUMENT PK/WASHER
 ON SURFACE - ~~BELOW~~ ON
~~LEFT~~ - CL PAV'T - RIGHT 0.2'
11.4 TO RT EDGE PAVEMENT
 S.L.M. 33+87.10
 Grid: Northing: 581128.8479 Easting: 1771674.509



RECORD: P.C.
 STA 33+87.14
 COULD NOT FIND POINT.
 RESTABLISHED ALONG TAN
 LINE BETWEEN P.I. USING
 RECORD DISTANCE

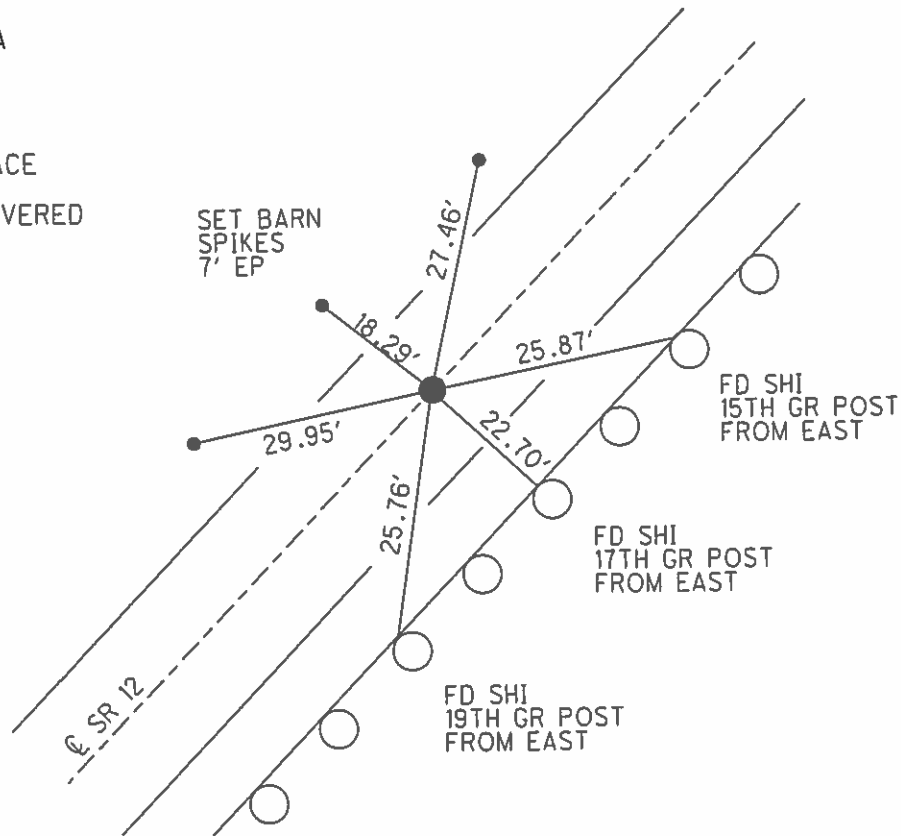
CHECK OLD TIES
 FOR ADDITIONAL DATA
 NEW GUARD RAIL DID
 NOT LOCATE POINT
 11-13-94, RICHENEY

PREVENTIVE MAINTENANCE
 MICROSURFACED 2000
 EXISTING POINT UNCOVERED
 DATE 9-12-00, MC

FD PK/WASHER
 GPS, REFC1
 2-26-13

FD PK/WASHER
 GPS, REFC1
 5-27-15

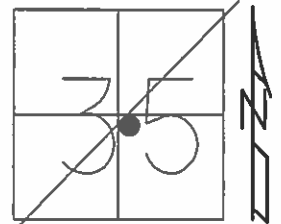
SET MAG/WASHER
 GPS, NEWREFC1
 9-29-16, DCH



O.D.O.T. DISTRICT 2 SURVEY OFFICE (USE ONLY)

PERSONNEL _____ REFERENCE NO. 1 D SHEET 5 OF 25
 NOTES O'DONNELL DATE 5-27-15 ROUTE SR 12
 H.C. LEU WEATHER SUNNY COUNTY SANDUSKY
 R.C. RHOADES TEMP. 80°F TOWNSHIP JACKSON
 SECTION 35
 T 4 N R 14 E

TYPE MONUMENT PK/WASHER
 ON SURFACE - ~~BELOW~~ ON
~~LEFT~~ - CL PAV'T - RIGHT 6.5'
6' TO RT EDGE PAVEMENT
 S.L.M. 36+58.18
 Grid: Northing: 581316.7384 Easting: 1771869.92



RECORD:
 P.I. Δ=5°25' LT
 STA 36+58.18

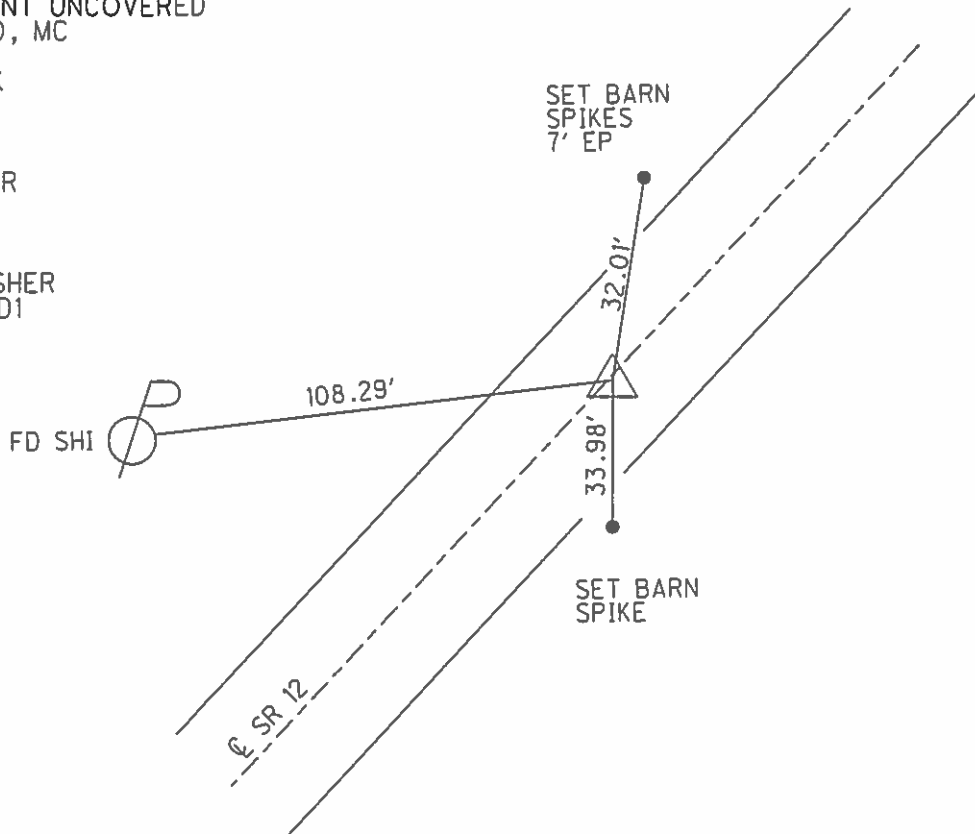
SET P.K./WASHER
 11-3-94, CL

PREVENTIVE MAINTENACE
 MICROSURFACED 2000
 EXISTING POINT UNCOVERED
 DATE 9-12-00, MC

FD P.K.SHANK
 GPS, REFD1
 2-26-13

FD PK/WASHER
 GPS, REFD1
 5-27-15

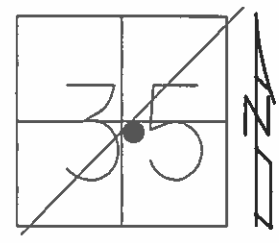
SET MAG/WASHER
 GPS, NEWREFD1
 9-29-16, DCH



O.D.O.T. DISTRICT 2 SURVEY OFFICE (USE ONLY)

PERSONNEL _____ REFERENCE NO. 1E SHEET 6 OF 25
 NOTES O'DONNELL DATE 5-27-15 ROUTE SR 12
 H.C. LEU WEATHER SUNNY COUNTY SANDUSKY
 R.C. RHOADES TEMP. 75°F TOWNSHIP JACKSON
 _____ SECTION 35
 _____ T 4 N R 14 E

TYPE MONUMENT PK/WASHER
 ON SURFACE - ~~BELOW~~ ON _____
~~LEFT~~ - CL PAV'T - RIGHT 1.0'
12.5' TO RT EDGE PAVEMENT
 S.L.M. 39+29.20
 Grid: Northing: 581522.2233 Easting: 1772046.718



RECORD: P.T.
 39+28.81 CL CONST BK =
 39+29.22 CL CONST & SURVEY AHEAD

DIST. 1E-1F = 49.34'

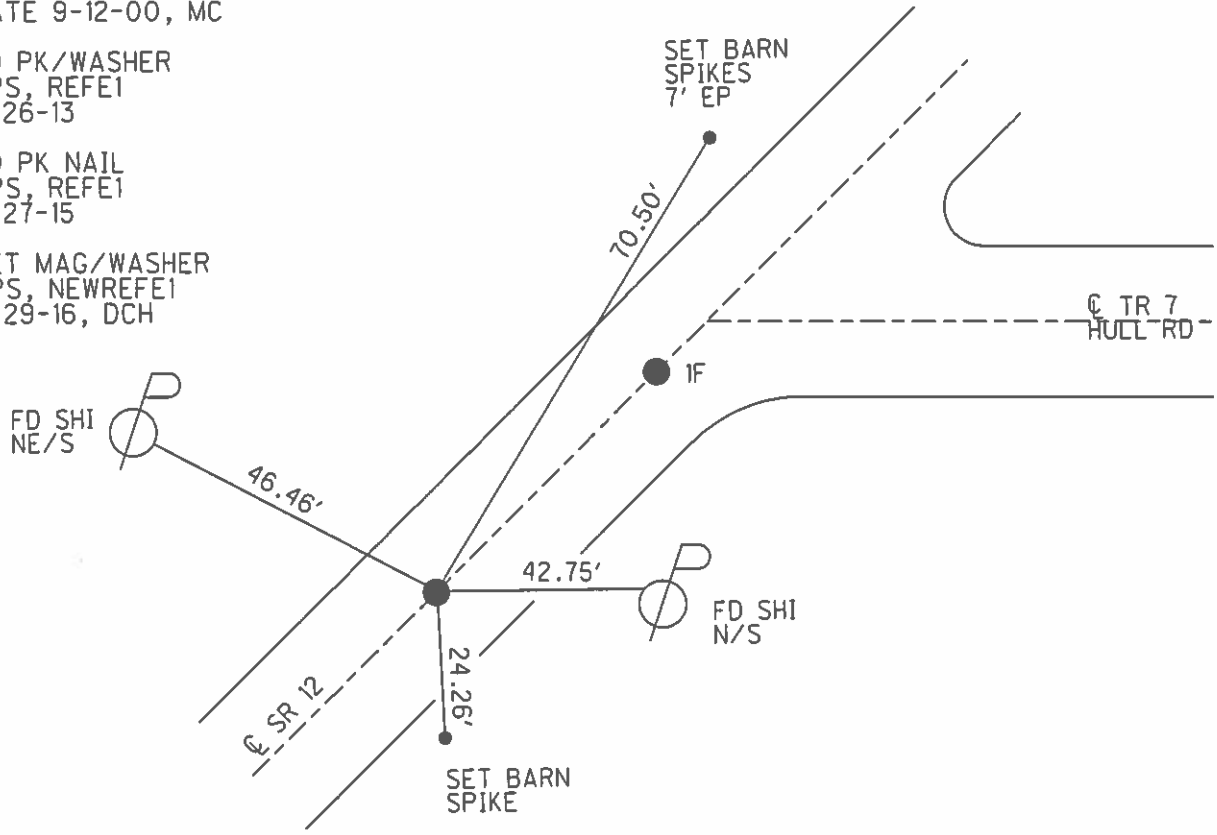
RESET P.K./WASHER
 11-3-94, CL

PREVENTIVE MAINTENANCE
 MICROSURFACED 2000
 EXISTING POINT UNCOVERED
 DATE 9-12-00, MC

FD PK/WASHER
 GPS, REFE1
 3-26-13

FD PK NAIL
 GPS, REFE1
 5-27-15

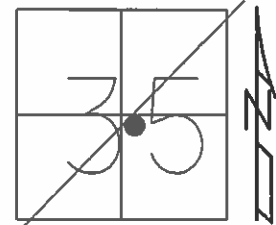
SET MAG/WASHER
 GPS, NEWREFE1
 9-29-16, DCH



O.D.O.T. DISTRICT 2 SURVEY OFFICE (USE ONLY)

PERSONNEL _____ REFERENCE NO. 1 F SHEET 7 OF 25
 NOTES O'DONNELL DATE 5-27-15 ROUTE SR 12
 H.C. LEU WEATHER SUNNY COUNTY SANDUSKY
 R.C. RHOADES TEMP. 75°F TOWNSHIP JACKSON
 _____ SECTION 35
 _____ T 4 N R 14 E

TYPE MONUMENT PK/WASHER
 ON SURFACE - ~~BELOW~~ ON
~~LEFT~~ - CL PAV'T - RIGHT 1.0'
12.5' TO RT EDGE PAVEMENT
 S.L.M. 39+78.56
 Grid: Northing: 581559.565 Easting: 1772078.925



RECORD: P.O.T
 STA 39+78.40

DIST. 1E-1F= 49.34'

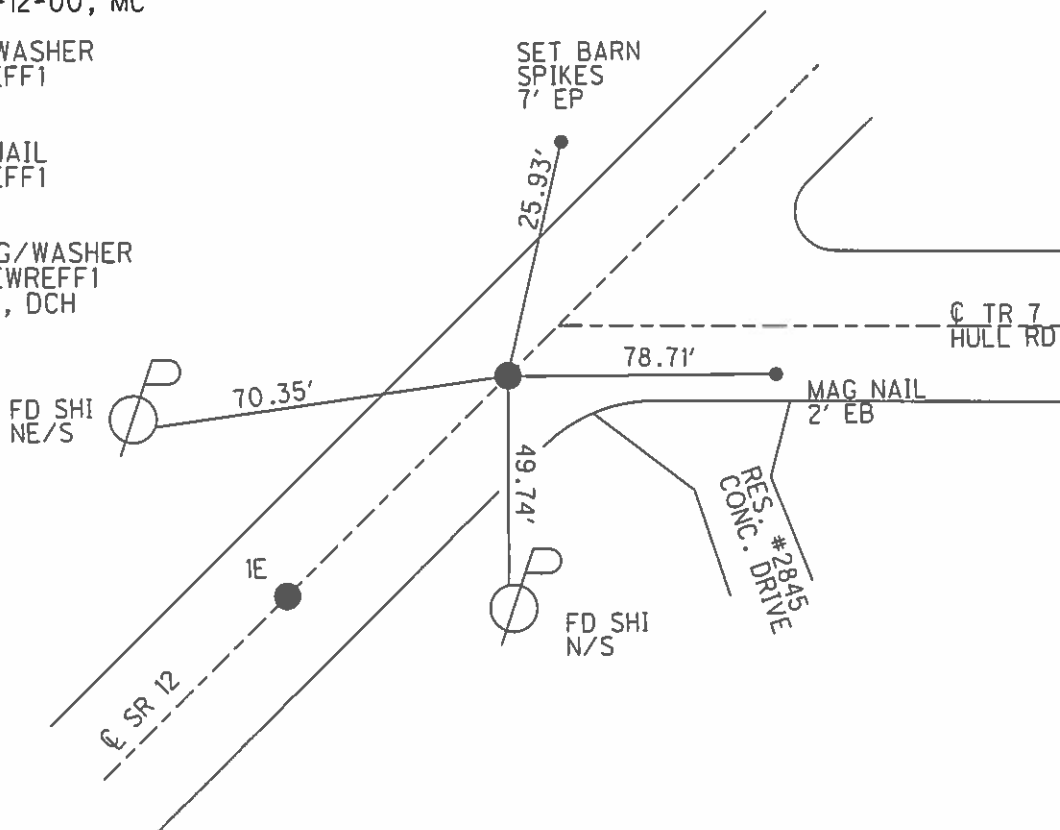
P.K./WASHER
 11-3-94, CL

PREVENTIVE MAINTENANCE
 MICROSURFACED 2000
 EXISTING POINT UNCOVERED
 DATE 9-12-00, MC

FD PK/WASHER
 GPS, REFF1
 3-26-13

FD PK NAIL
 GPS, REFF1
 5-27-15

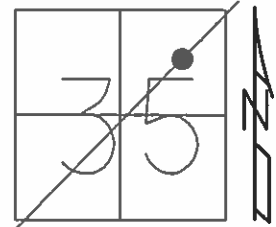
SET MAG/WASHER
 GPS, NEWREFF1
 9-29-16, DCH



O.D.O.T. DISTRICT 2 SURVEY OFFICE (USE ONLY)

PERSONNEL _____ REFERENCE NO. 2 A SHEET 8 OF 25
 NOTES O'DONNELL DATE 5-27-15 ROUTE SR 12
 H.C. LEU WEATHER SUNNY COUNTY SANDUSKY
 R.C. RHOADES TEMP. 75°F TOWNSHIP JACKSON
 _____ SECTION 35
 _____ T 4 N R 14 E

TYPE MONUMENT MAG/WASHER
 ON SURFACE - ~~BELOW~~ ON
 LEFT - ☉ PAV'T - RIGHT ON
13.5' TO RT EDGE PAVEMENT
 S.L.M. 51+19.89



Grid: Northing: 582423.3849 Easting: 1772822.166

RECORD:
 SET P.K./WASHER
 11-3-94, CL

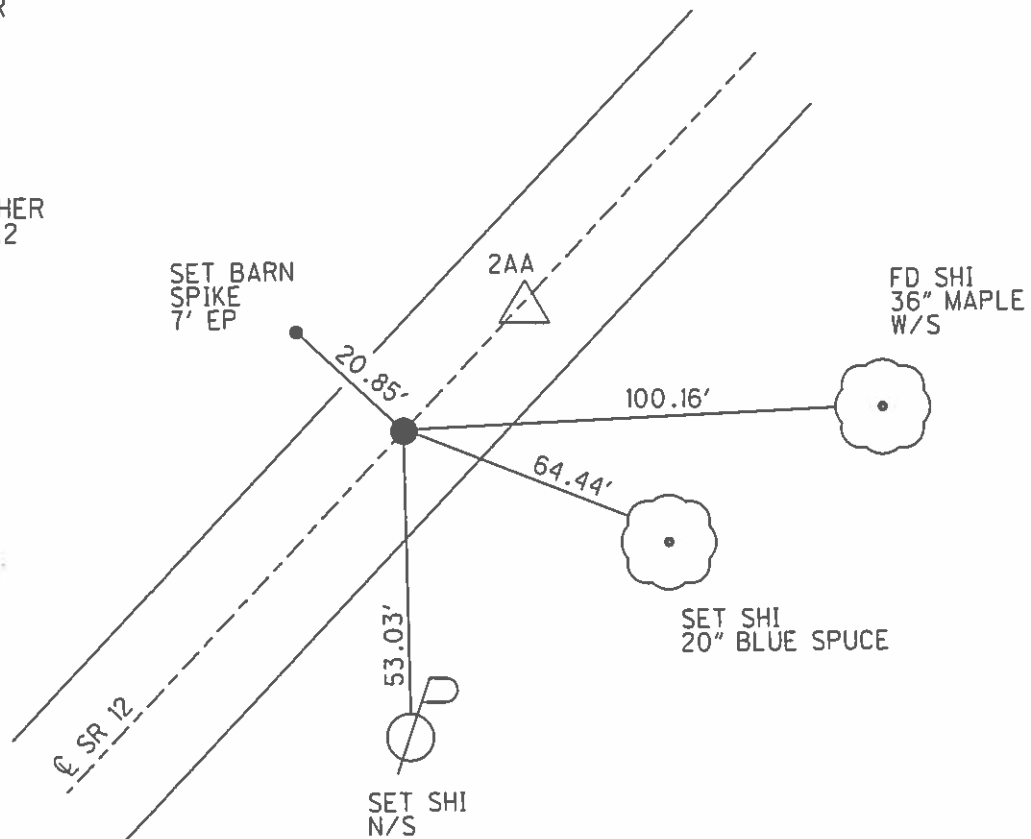
DIST. 2A-2AA= 25.03'

PREVENTIVE MAINTENACE
 MICROSURFACED 2000
 EXISTING POINT UNCOVERED
 DATE 9-12-00, MC

FD PK/WASHER
 GPS, REFA2
 3-26-13

FD MAG NAIL
 GPS, REFA2
 5-27-15

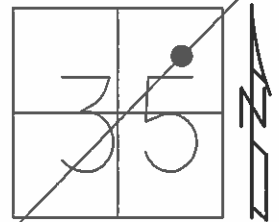
SET MAG/WASHER
 GPS, NEWREFA2
 9-29-16, DCH



O.D.O.T. DISTRICT 2 SURVEY OFFICE (USE ONLY)

PERSONNEL _____ REFERENCE NO. 2 AA SHEET 9 OF 25
 NOTES O'DONNELL DATE 5-27-15 ROUTE SR 12
 H.C. LEU WEATHER SUNNY COUNTY SANDUSKY
 R.C. RHOADES TEMP. 75°F TOWNSHIP JACKSON
 SECTION 35
 T 4 N R 14 E

TYPE MONUMENT PK/WASHER
 ON SURFACE - ~~BELOW~~ ON
 LEFT - ☉ PAV'T - RIGHT ON
13.5' TO RT EDGE PAVEMENT
 S.L.M. 51+44.85



Grid: Northing: 582443.6085 Easting: 1772839.554

RECORD:
 P.I. Δ=0°05'30"
 STA 51+44.84

DIST. 2A-2AA= 25.03'

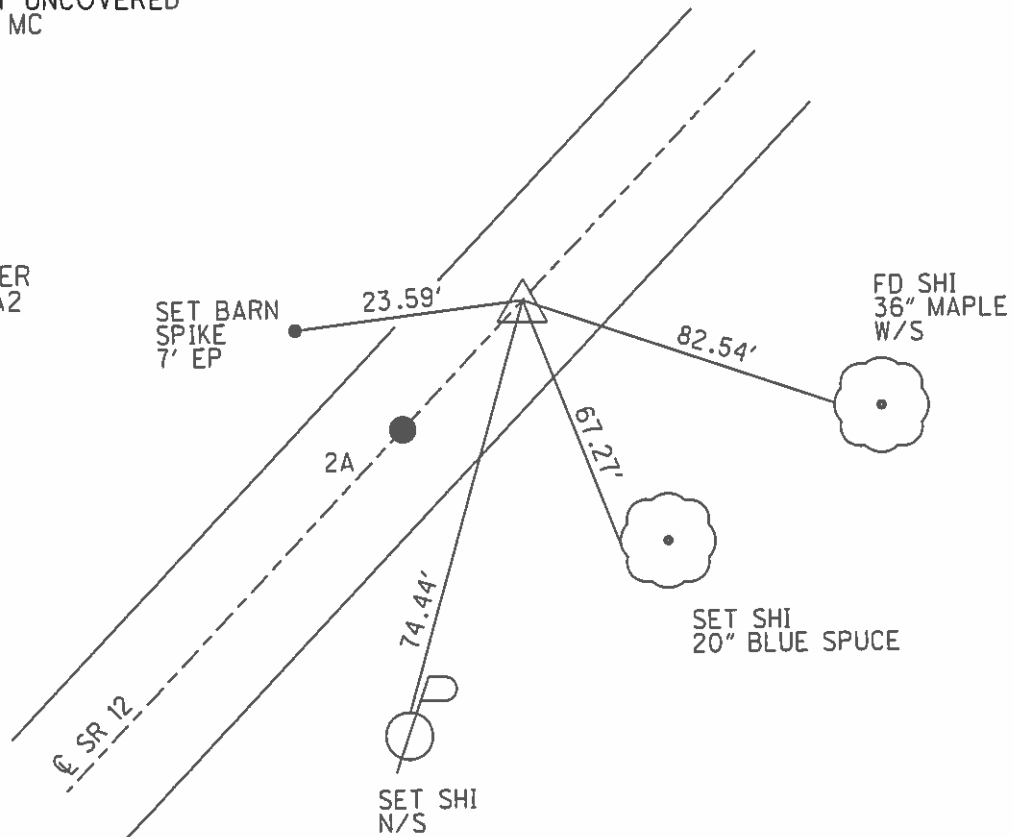
RESET
 11-3-94, CL

PREVENTIVE MAINTENACE
 MICROSURFACED 2000
 EXISTING POINT UNCOVERED
 DATE 9-12-00, MC

FD PK/WASHER
 GPS, REFAA2
 3-26-13

FD PK/WASHER
 GPS, REFAA2
 5-27-15

SET MAG/WASHER
 GPS, NEWREFAA2
 9-29-16, DCH



O.D.O.T. DISTRICT 2 SURVEY OFFICE (USE ONLY)

PERSONNEL _____ REFERENCE NO. 2 B SHEET 10 OF 25
 NOTES O'DONNELL DATE 5-27-15 ROUTE SR 12
 H.C. LEU WEATHER CLEAR COUNTY SANDUSKY
 R.C. RHOADES TEMP. 75°F TOWNSHIP JACKSON
 _____ SECTION 35
 _____ T 4 N R 14 E

TYPE MONUMENT PK/WASHER

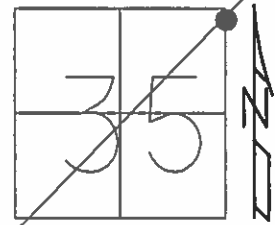
~~ON SURFACE~~ - BELOW 5"

LEFT - ☉ PAV'T - RIGHT ON

13.5' TO RT EDGE PAVEMENT

S.L.M. 70+95.97

Grid: Northing: 583920.4654 Easting: 1774114.594



RECORD: P.O.T.
 STA 70+95.97

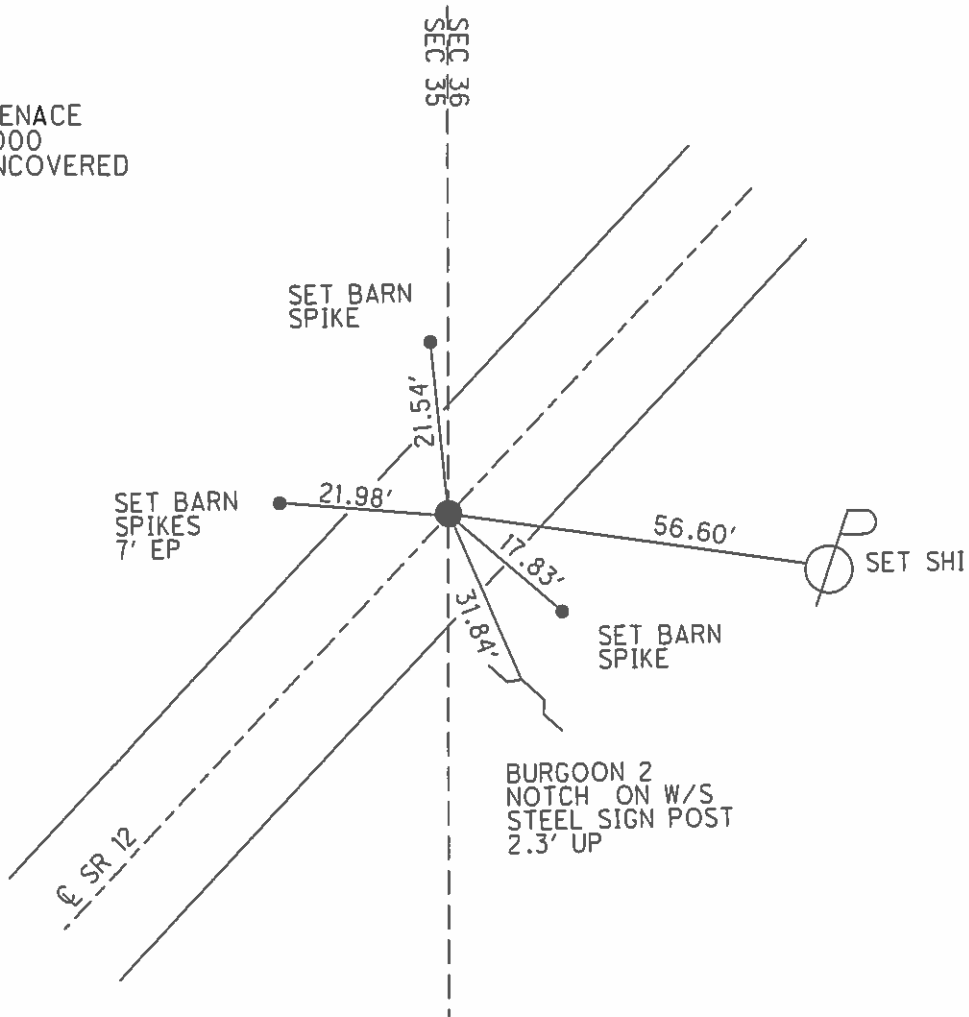
SET PK/WASHER
 11-3-94, CL

PREVENTIVE MAINTENANCE
 MICROSURFACED 2000
 EXISTING POINT UNCOVERED
 DATE 9-12-00, MC

FD PK/WASHER
 GPS, REFB2
 3-26-13

FD PK/WASHER
 GPS, REFB2
 5-27-15

SET MAG/WASHER
 GPS, NEWREFB2
 9-29-16, DCH

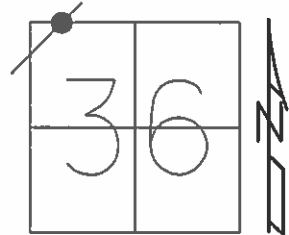


O.D.O.T. DISTRICT 2 SURVEY OFFICE (USE ONLY)

PERSONNEL _____ REFERENCE NO. 3 SHEET 11 OF 25

NOTES O'DONNELL DATE 5-27-15 ROUTE SR 12
 H.C. LEU WEATHER CLEAR COUNTY SANDUSKY
 R.C. RHOADES TEMP. 75°F TOWNSHIP JACKSON
 SECTION 36
 T 4 N R 14 E

TYPE MONUMENT PK/WASHER
 ON SURFACE - ~~BELOW~~ ON _____
~~LEFT~~ - CL PAV'T - RIGHT 0.1'
12.7 TO RT EDGE PAVEMENT
 S.L.M. 76+34.14



Grid: Northing: 584327.7896 Easting: 1774466.275

RECORD:
 P.I. $\Delta=1^{\circ}05'$ LT
 STA 76+34.32
 RR.SPIKE

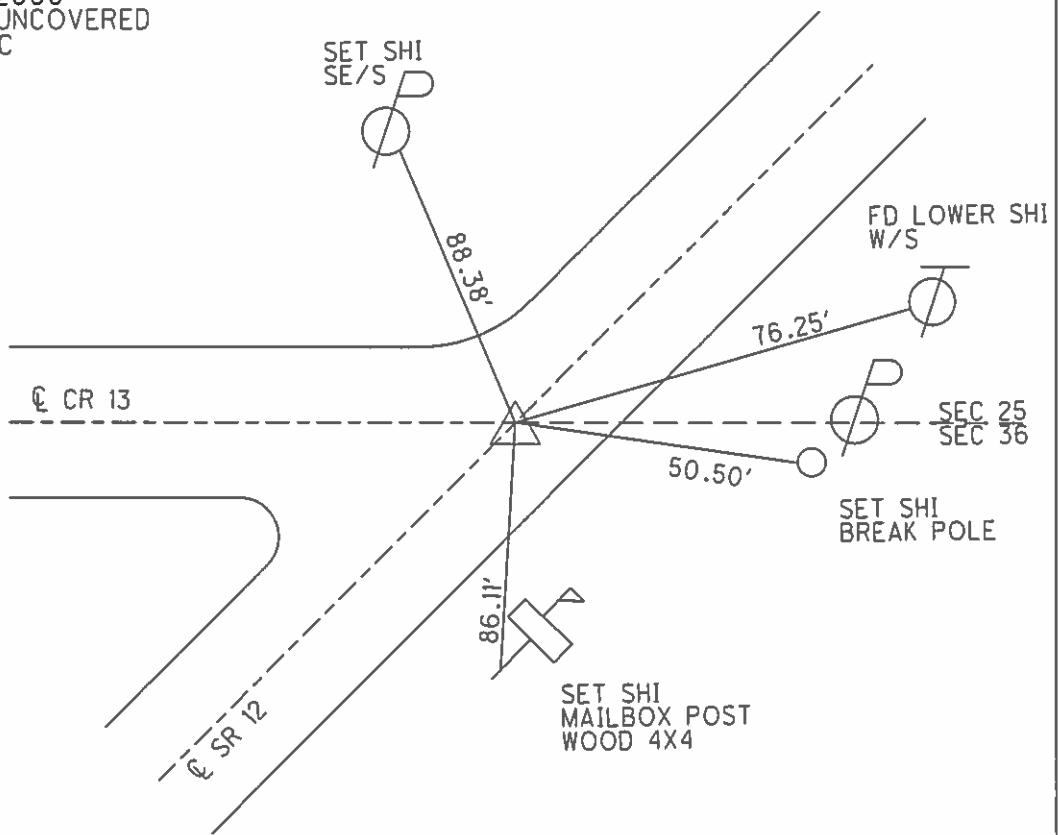
SET P.K./WASHER
 11-3-94, CL

PREVENTIVE MAINTENACE
 MICROSURFACED 2000
 EXISTING POINT UNCOVERED
 DATE 9-12-00, MC

FD PK/WASHER
 GPS, REF3
 3-26-13

FD PK/WASHER
 GPS, REF3
 5-27-15

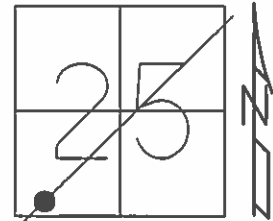
SET MAG/WASHER
 GPS, NEWREF3
 9-29-16, DCH



O.D.O.T. DISTRICT 2 SURVEY OFFICE (USE ONLY)

PERSONNEL	REFERENCE NO.	3 AA	SHEET	12	OF	25
NOTES	O'DONNELL	DATE	5-27-15	ROUTE	SR	12
H.C.	LEU	WEATHER	CLEAR	COUNTY	SANDUSKY	
R.C.	RHOADES	TEMP.	75°F	TOWNSHIP	JACKSON	
				SECTION	25	
				T	4	N
				R	14	E

TYPE MONUMENT PK/WASHER
~~ON SURFACE~~ - BELOW 0.25'
 LEFT - ☉ PAV'T - RIGHT ON
13.5' TO LT EDGE PAVEMENT
 S.L.M. 86+70.16



Grid: Northing: 585124.8988 Easting: 1775128.203

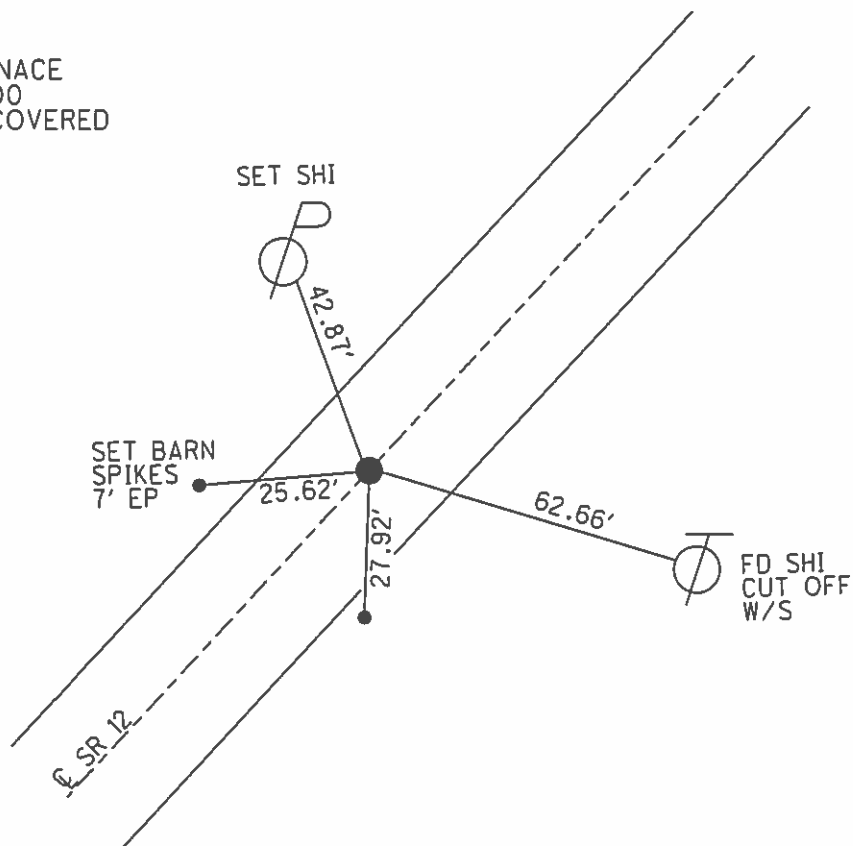
RECORD: T.S.
 86+70.26
 PK/WASHER
 RR. SPIKE

P.K./WASHER
 11-3-94, CL

PREVENTIVE MAINTENANCE
 MICROSURFACED 2000
 EXISTING POINT UNCOVERED
 DATE 9-12-00, MC

FD PK/WASHER
 GPS, REFAA3
 3-26-13

FD PK/WASHER
 GPS, REFAA3
 5-27-15

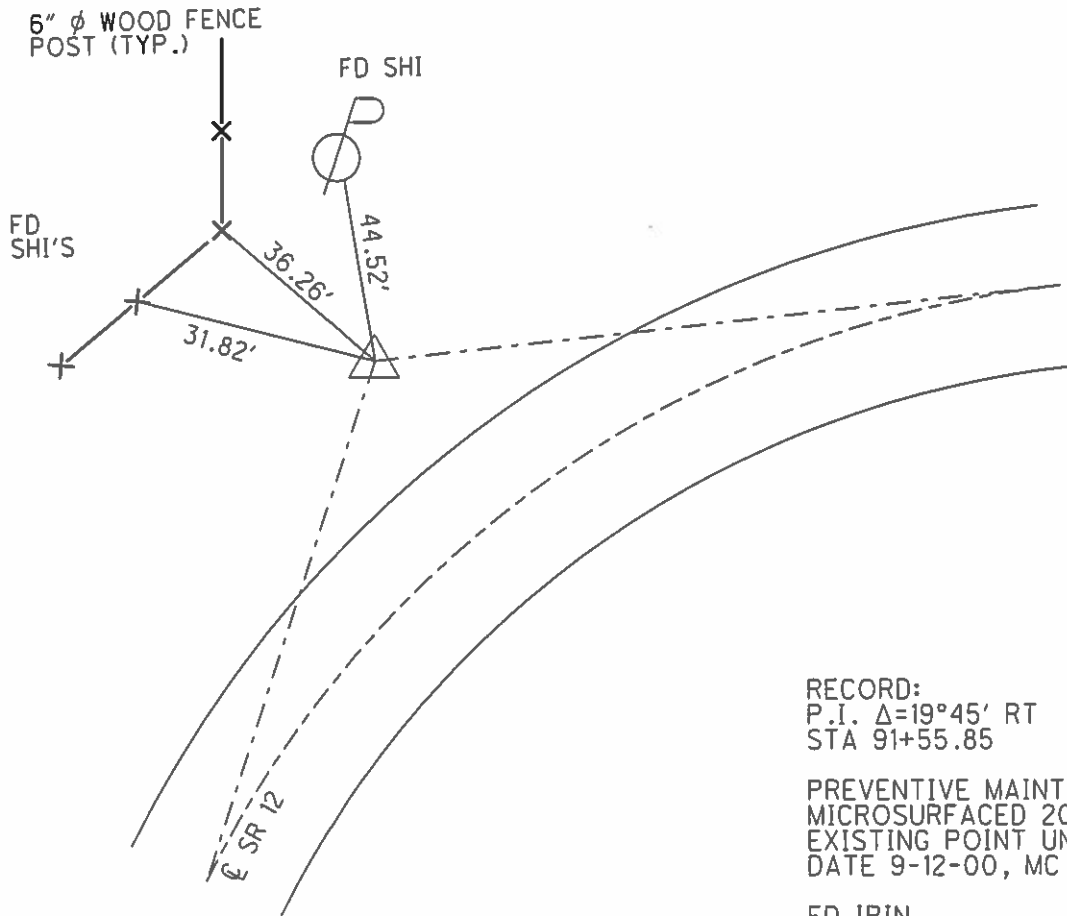
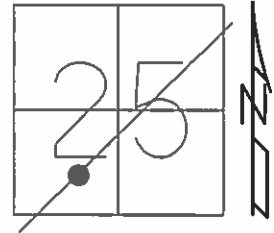


O.D.O.T. DISTRICT 2 SURVEY OFFICE (USE ONLY)

PERSONNEL _____ REFERENCE NO. 3 A SHEET 13 OF 25
 NOTES LEU DATE 05-07-15 ROUTE SR 12
 H.C. O'DONNELL WEATHER SUNNY COUNTY SANDUSKY
 R.C. LEU TEMP. 83°F TOWNSHIP JACKSON
 _____ SECTION 25
 _____ T 4 N R 14 E

TYPE MONUMENT 1" IPIN
~~ON SURFACE~~ - BELOW 0.4'
 LEFT - CL PAV'T - ~~RIGHT~~ 29.5'
16.5' TO LT EDGE PAVEMENT
 S.L.M. 91+55.35

Grid: Northing: 585498.3444 Easting: 1775437.845



RECORD:
 P.I. $\Delta=19^{\circ}45'$ RT
 STA 91+55.85

PREVENTIVE MAINTENANCE
 MICROSURFACED 2000
 EXISTING POINT UNCOVERED
 DATE 9-12-00, MC

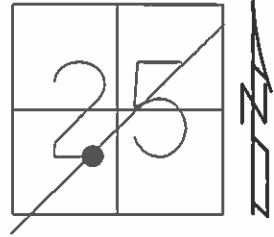
FD IPIN
 GPS, REFA3
 3-26-13

FD IPIN
 9-29-16

O.D.O.T. DISTRICT 2 SURVEY OFFICE (USE ONLY)

PERSONNEL _____ REFERENCE NO. 3 B SHEET 14 OF 25
 NOTES LEU DATE 05-07-15 ROUTE SR 12
 H.C. O'DONNELL WEATHER SUNNY COUNTY SANDUSKY
 R.C. LEU TEMP. 83°F TOWNSHIP JACKSON
 SECTION 25
 T 4 N R 14 E

TYPE MONUMENT PK/WASHER
 ON SURFACE - ~~BELOW~~ ON
 LEFT - ☉ PAV'T - RIGHT ON
13.8' TO RT. EDGE PAVEMENT
 S.L.M. 96+41.46



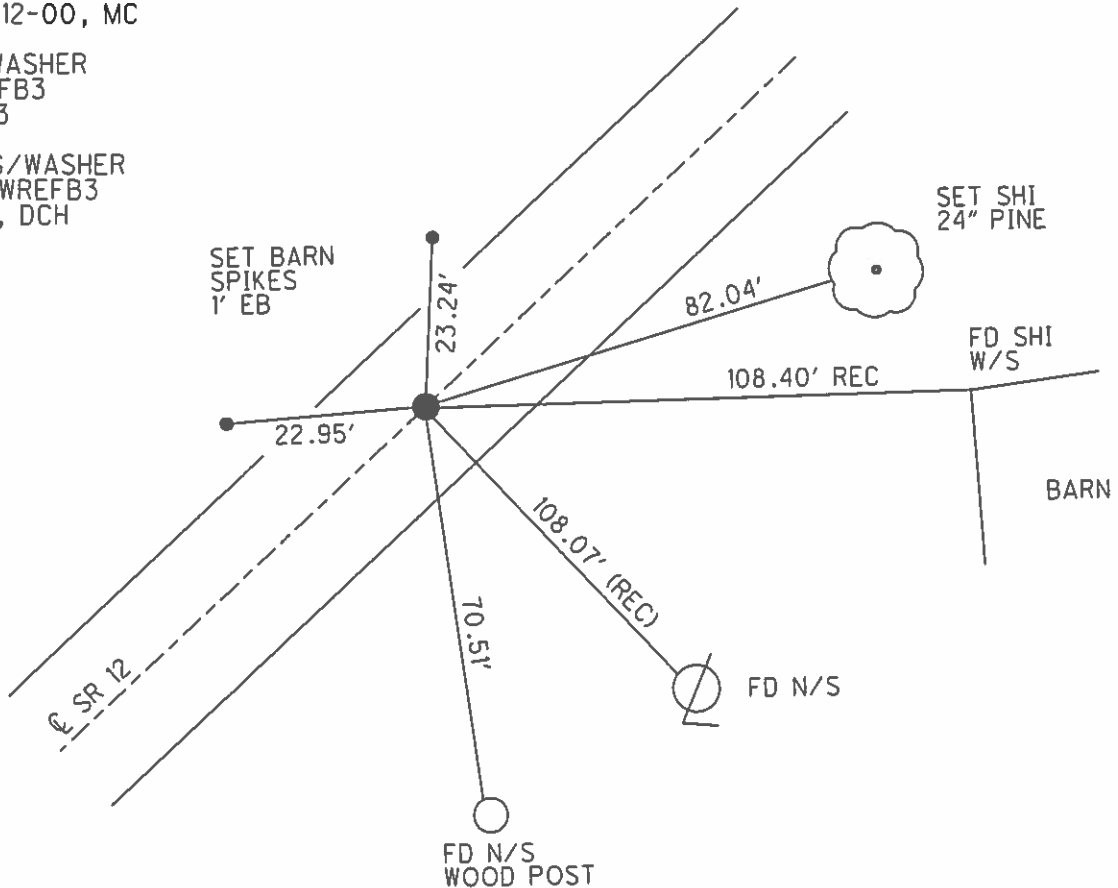
Grid: Northing: 585745.1027 Easting: 1775856.702

RECORD: S.T.
 STA. 96+34.55 ☉ CONST.
 BK. = 96+41.44 ☉ SUR & CONST. AHD.
 RR. SPIKE BELOW

PREVENTIVE MAINTENANCE
 MICROSURFACED 2000
 EXISTING POINT UNCOVERED
 DATE 9-12-00, MC

FD PK/WASHER
 GPS, REFB3
 03-26-13

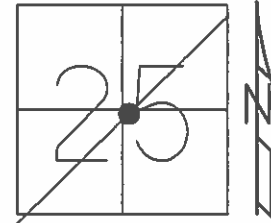
SET MAG/WASHER
 GPS, NEWREFB3
 9-29-16, DCH



O.D.O.T. DISTRICT 2 SURVEY OFFICE (USE ONLY)

PERSONNEL _____ REFERENCE NO. 4 SHEET 15 OF 25
 NOTES RHOADES DATE 5-7-15 ROUTE SR 12
 H.C. O'DONNELL WEATHER SUNNY COUNTY SANDUSKY
 R.C. LEU TEMP. 85°F TOWNSHIP JACKSON
 _____ SECTION 25
 _____ T 4 N R 15 E

TYPE MONUMENT RR. SPIKE
~~ON SURFACE~~ - BELOW 6"
~~LEFT~~ - CL PAV'T - RIGHT 29.6'
11' TO RT EDGE PAVEMENT
 S.L.M. 106+34.92



Grid: Northing: 586249.834 Easting: 1776712.407

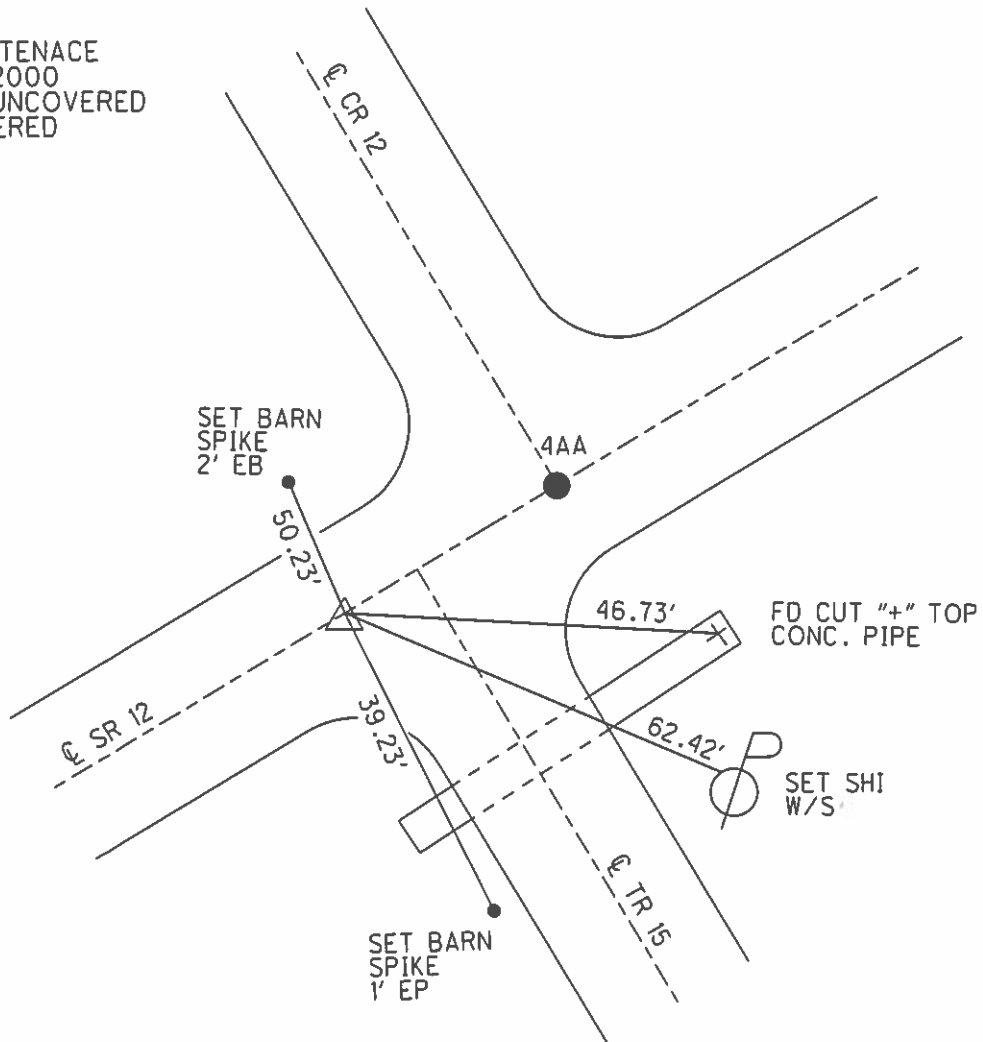
RECORD:
 P.I. $\Delta=14^{\circ}15'$ LT
 STA. 106+36.78

DIST. 4-4AA = 55.91'

PREVENTIVE MAINTENANCE
 MICROSURFACED 2000
 EXISTING POINT UNCOVERED
 DATE - NOT COVERED

FD RSPK
 0.5' BELOW
 3' N OF S. EP
 OF TR 15
 GPS, REF4
 5-16-13, SDC

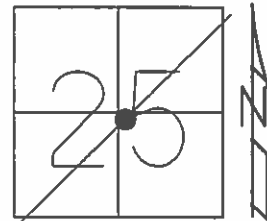
NOT COVERED
 9-29-16



O.D.O.T. DISTRICT 2 SURVEY OFFICE (USE ONLY)

PERSONNEL _____ REFERENCE NO. 4 AA SHEET 16 OF 25
 NOTES RHOADES DATE 5-7-15 ROUTE SR 12
 H.C. O'DONNELL WEATHER SUNNY COUNTY SANDUSKY
 R.C. LEU TEMP. 85°F TOWNSHIP JACKSON
 _____ SECTION 25
 _____ T 4 N R 15 E

TYPE MONUMENT 5/8" REROD
~~ON SURFACE~~ - BELOW 6"
~~LEFT~~ - CL PAV'T - RIGHT 24.7'
1' TO RT EDGE PAVEMENT
 S.L.M. 106+90.91



Grid: Northing: 586288.7367 Easting: 1776752.63

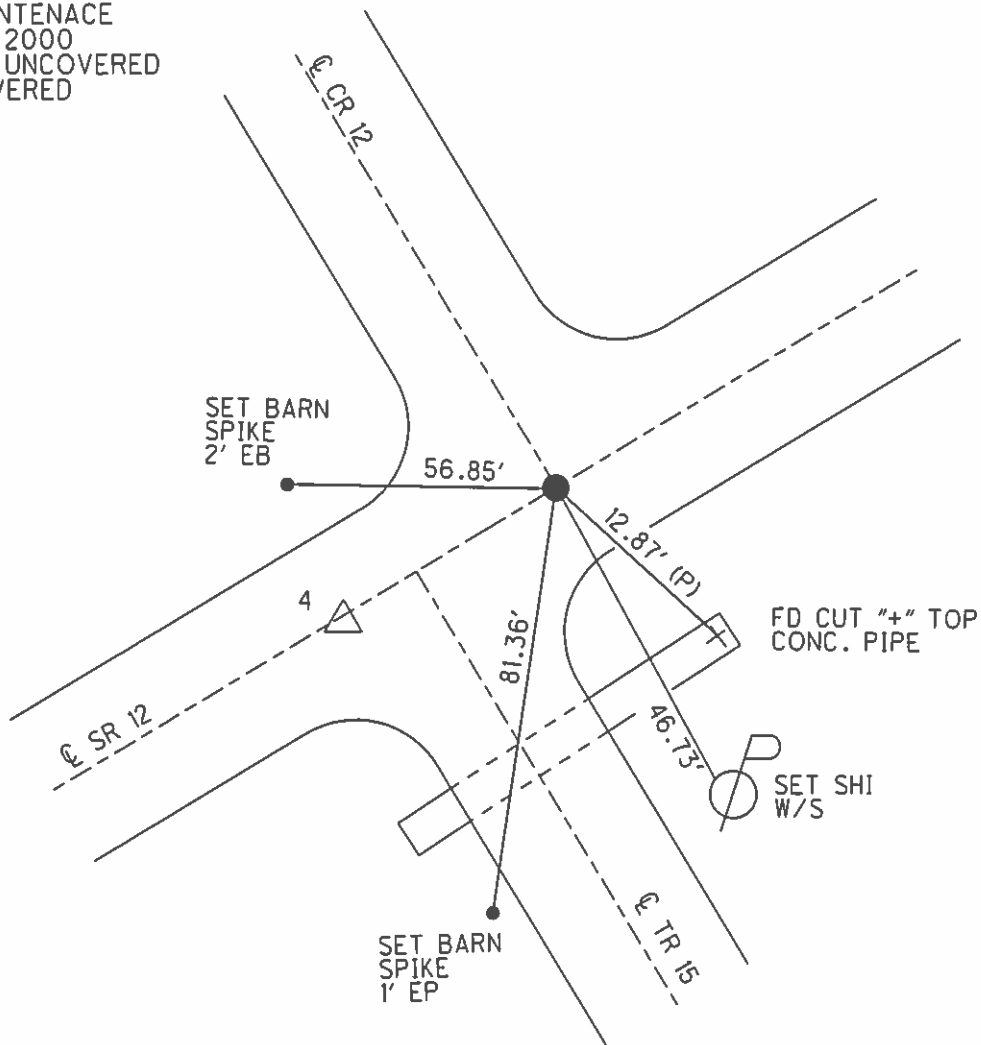
RECORD:
 STA. 106+82.86

DIST. 4-4AA= 55.91'

PREVENTIVE MAINTENANCE
 MICROSURFACED 2000
 EXISTING POINT UNCOVERED
 DATE - NOT COVERED

FD IPIN
 6" DOWN
 GPS, REFAA4
 5-16-13, SDC

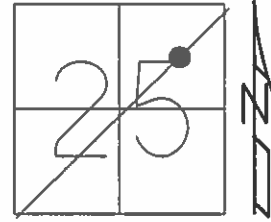
NOT COVERED
 9-29-16



O.D.O.T. DISTRICT 2 SURVEY OFFICE (USE ONLY)

PERSONNEL	REFERENCE NO.	4 A	SHEET	17	OF	24
NOTES	RHOADES	DATE	5-7-15	ROUTE	SR 12	
H.C.	O'DONNELL	WEATHER	SUNNY	COUNTY	SANDUSKY	
R.C.	LEU	TEMP.	82°F	TOWNSHIP	JACKSON	
				SECTION	25	
				T	4	N
				R	14	E

TYPE MONUMENT PK/WASHER
~~ON SURFACE~~ - BELOW 2"
 LEFT - ☉ PAV'T - RIGHT ON
13.3' TO RT EDGE PAVEMENT
 S.L.M. 128+97.50
 Grid: Northing: 587844.9717 Easting: 1778317.041



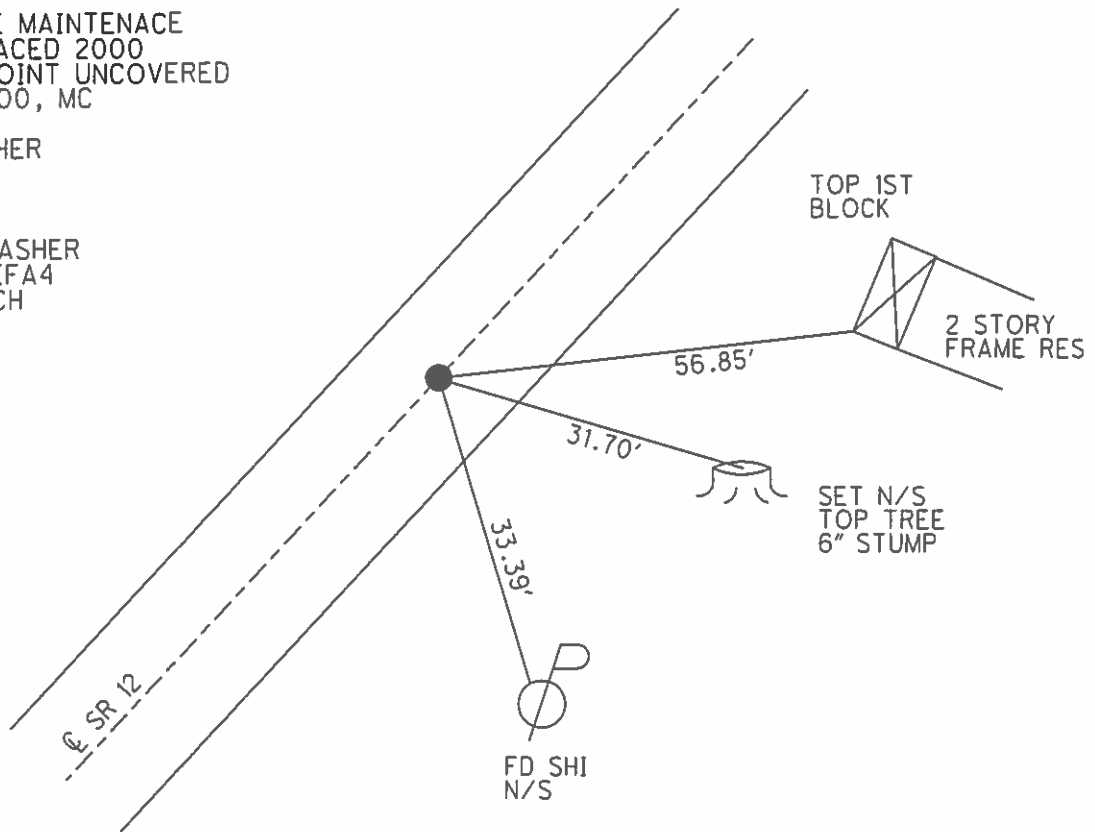
RECORD: P.O.T.
 STA. 129+00
 FD PK/WASHER

SET P.K./WASHER
 11-7-94

PREVENTIVE MAINTENANCE
 MICROSURFACED 2000
 EXISTING POINT UNCOVERED
 DATE 9-12-00, MC

FD PK/WASHER
 GPS, REFA4
 03-26-13

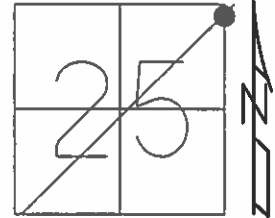
SET MAG/WASHER
 GPS, NEWREFA4
 9-29-16, DCH



O.D.O.T. DISTRICT 2 SURVEY OFFICE (USE ONLY)

PERSONNEL _____ REFERENCE NO. 5 SHEET 18 OF 25
 NOTES RHOADES DATE 5-7-15 ROUTE SR 12
 H.C. O'DONNELL WEATHER SUNNY COUNTY SANDUSKY
 R.C. LEU TEMP. 82°F TOWNSHIP JACKSON
 _____ SECTION 25
 _____ T 4 N R 14 E

TYPE MONUMENT PK/WASHER
 ON SURFACE - ~~BELOW~~ ON
 LEFT - Q PAV'T - RIGHT ON
13.4' TO RT EDGE PAVEMENT
 S.L.M. 144+43.45
 Grid: Northing: 588934.7946 Easting: 1779413.478



RECORD:
 P.I. $\Delta=0^{\circ}21'00''$ RT
 STA. 144+46.33
 RR.SPIKE

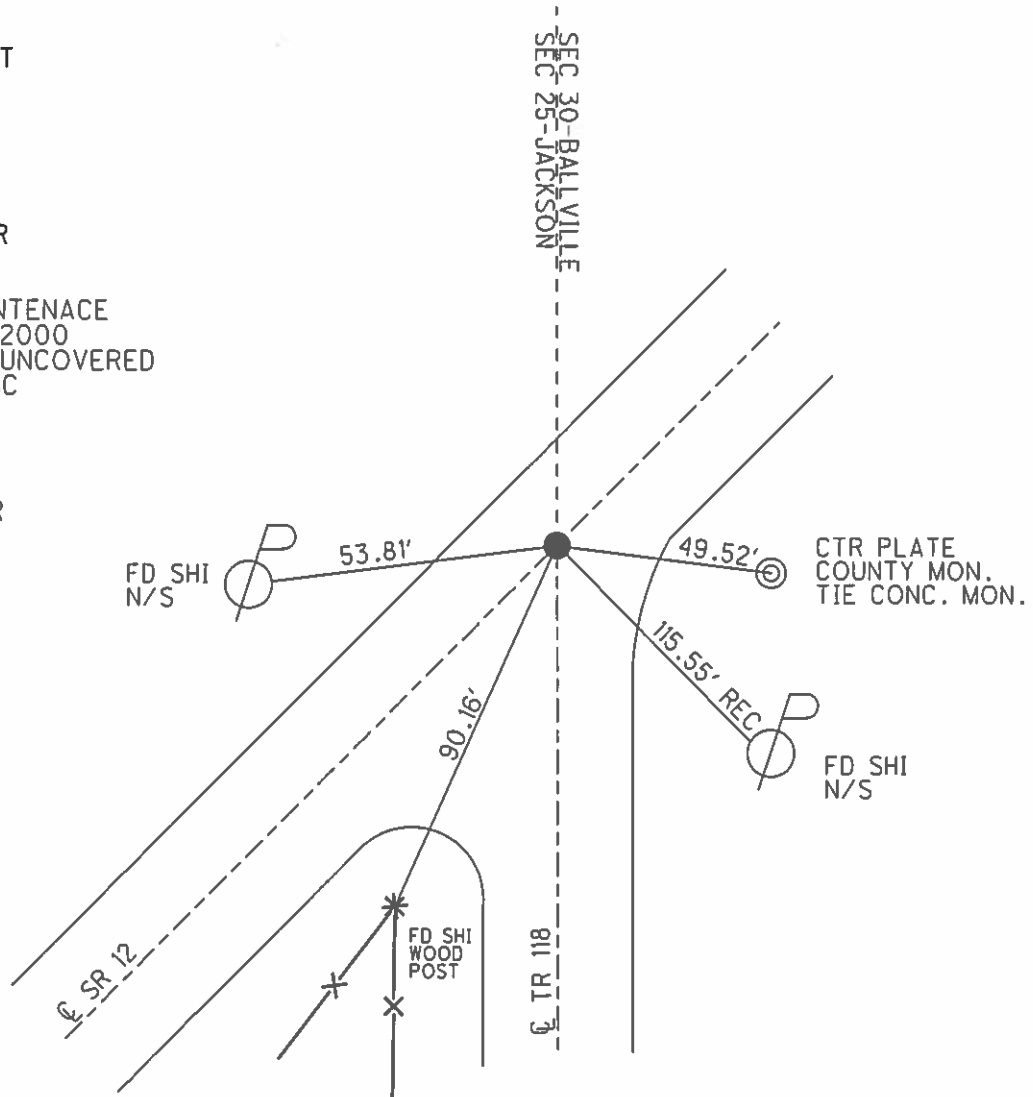
FD P.K./WASHER
 7/15/94, CL

SET P.K./WASHER
 11-7-94

PREVENTIVE MAINTENANCE
 MICROSURFACED 2000
 EXISTING POINT UNCOVERED
 DATE 9-12-00, MC

GPS, REF5
 03-26-13

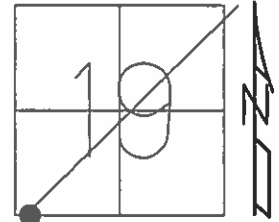
SET MAG/WASHER
 GPS, NEWREF5
 9-29-16, DCH



O.D.O.T. DISTRICT 2 SURVEY OFFICE (USE ONLY)

PERSONNEL	REFERENCE NO.	<u>6</u>	SHEET	<u>19</u>	OF	<u>25</u>
NOTES	<u>RHOADES</u>	DATE	<u>05-07-15</u>	ROUTE	<u>SR 12</u>	
H.C.	<u>O'DONNELL</u>	WEATHER	<u>SUNNY</u>	COUNTY	<u>SANDUSKY</u>	
R.C.	<u>LEU</u>	TEMP.	<u>82°F</u>	TOWNSHIP	<u>BALLVILLE</u>	
				SECTION	<u>19</u>	
				T	<u>4</u>	R
					<u>14</u>	<u>E</u>

TYPE MONUMENT PK NAIL
~~ON SURFACE~~ - BELOW 2"
 LEFT - ☉ PAV'T - RIGHT ON
13.1' TO RT EDGE PAVEMENT
 S.L.M. 159+69.53



Grid: Northing: 590004.0504 Easting: 1780502.311

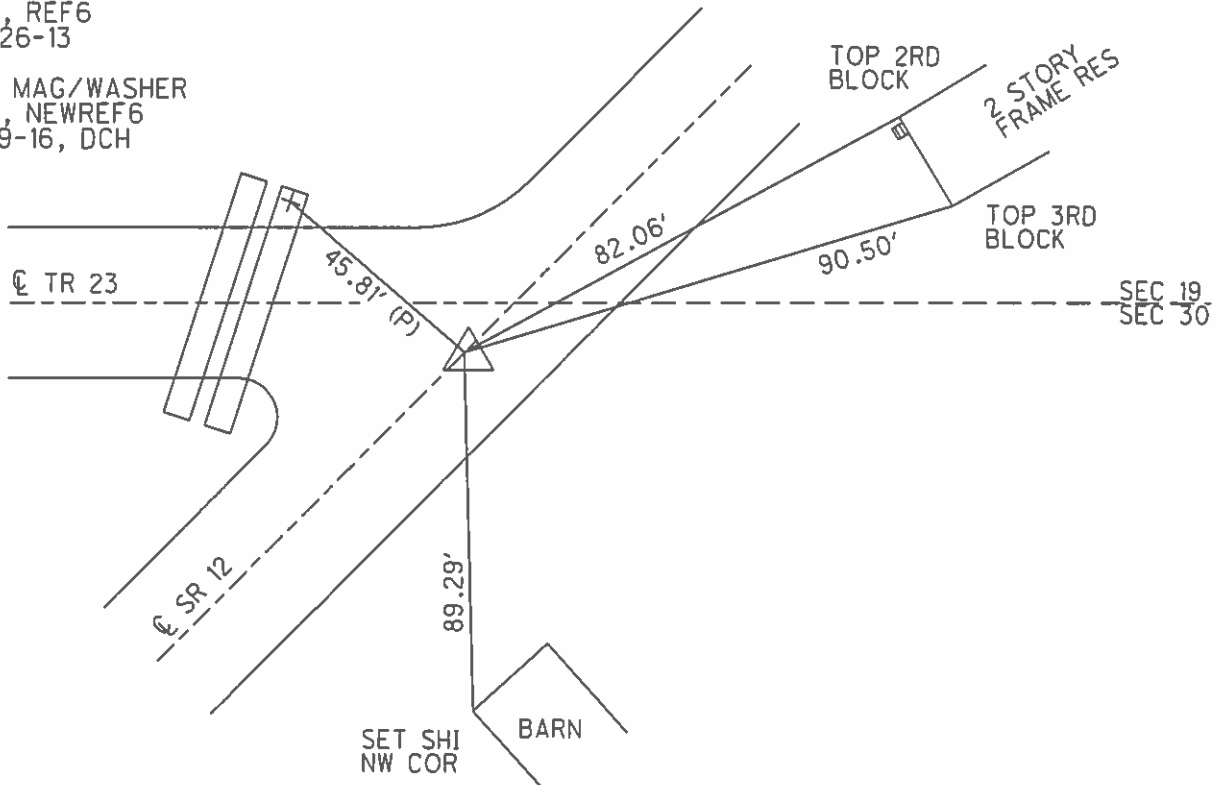
RECORD:
 P.I. $\Delta=0^{\circ}37'00''$ LT
 STA. 159+69.53

SET P.K./WASHER
 11-7-94

PREVENTIVE MAINTENANCE
 MICROSURFACED 2000
 EXISTING POINT UNCOVERED
 DATE 9-12-00, MC

FD PK/WASHER
 GPS, REF6
 03-26-13

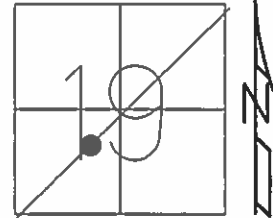
SET MAG/WASHER
 GPS, NEWREF6
 9-29-16, DCH



O.D.O.T. DISTRICT 2 SURVEY OFFICE (USE ONLY)

PERSONNEL _____ REFERENCE NO. 6 A SHEET 20 OF 25
 NOTES LOEHRKE DATE 7-15-94 ROUTE SR 12
 H.C. CANTERBURY WEATHER NICE COUNTY SANDUSKY
 R.C. MOSER TEMP. 60°F TOWNSHIP BALLVILLE
 SECTION 19
 T 4 N R 14 E

TYPE MONUMENT PK/WASHER
 ON SURFACE - ~~BELOW~~ ON
 LEFT - C PAV'T - RIGHT ON
13.8' TO RT EDGE PAVEMENT
 S.L.M. 178+95.55



Grid: Northing: 591368.296 Easting: 1781861.848

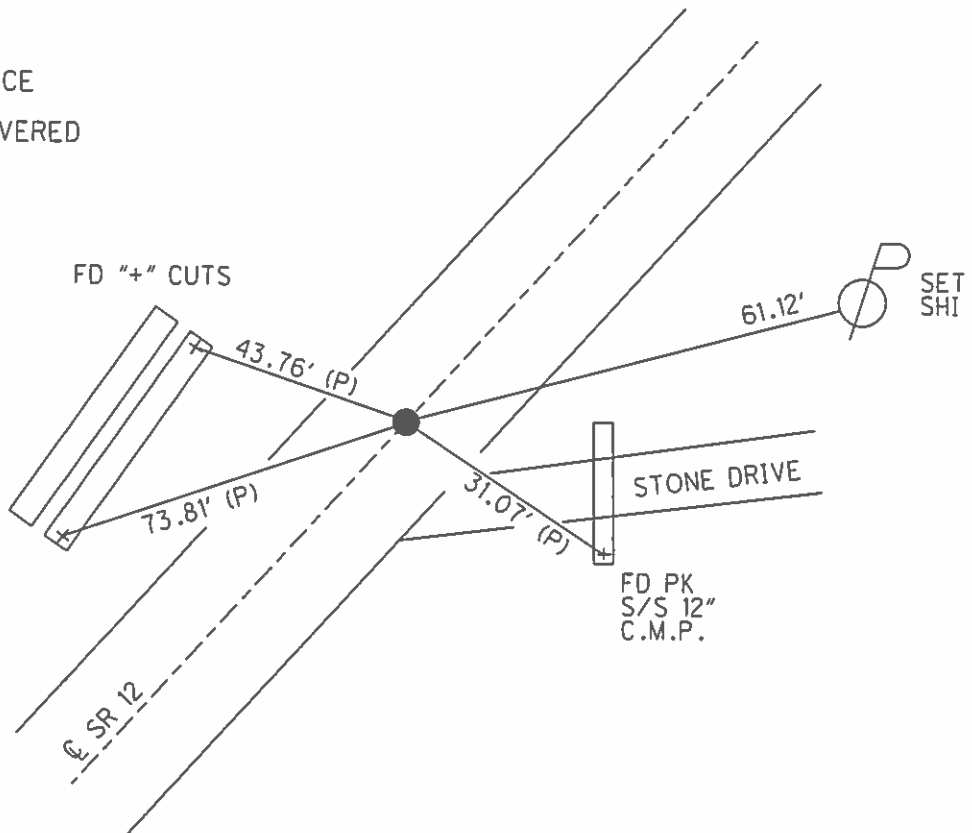
RECORD: P.O.T.
 STA. 178+00±
 THIS POINT WAS
 SHOWN ON OLD NOTES
 SET- PK/WASHER
 8-27-84, J.C.

SET P.K./WASHER
 11-7-94, CL

PREVENTIVE MAINTENANCE
 MICROSURFACED 2000
 EXISTING POINT UNCOVERED
 DATE 9-12-00, MC

FD P.K./WASHER
 REFA6
 03-26-13

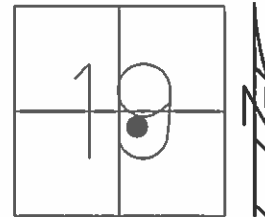
SET MAG/WASHER
 GPS, NEWREFA6
 9-29-16, DCH



O.D.O.T. DISTRICT 2 SURVEY OFFICE (USE ONLY)

PERSONNEL _____ REFERENCE NO. 6 B SHEET 21 OF 25
 NOTES RHOADES DATE 5-15-13 ROUTE SR 12
 H.C. CODER WEATHER WINDY COUNTY SANDUSKY
 R.C. ROUSOS TEMP. 70°F TOWNSHIP BALLVILLE
 _____ SECTION 19
 _____ T 4 N R 14 E

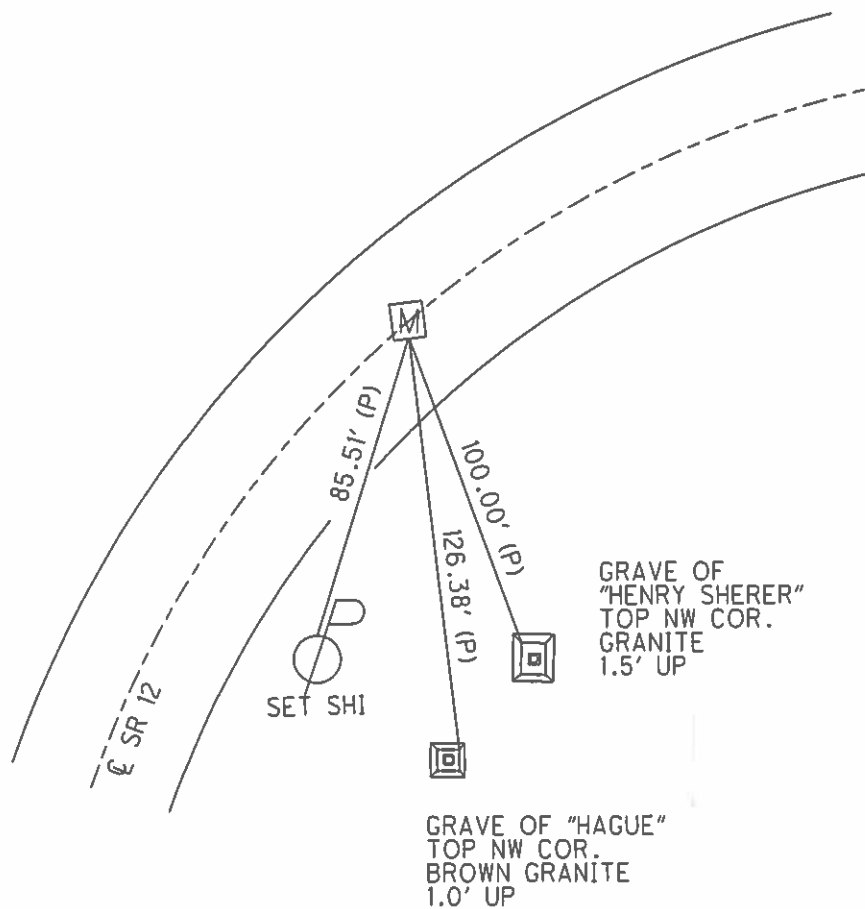
TYPE MONUMENT MON BOX
 ON SURFACE - ~~BELOW~~ ON
 LEFT - ☉ PAV'T - RIGHT ON
- TO - EDGE PAVEMENT
 S.L.M. 192+23.07



Grid: Northing: 592308.742 Easting: 1782798.786

RECORD:
 GPS, SV5003
 5-15-13, SDC

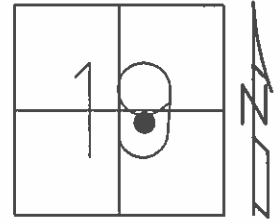
RECOVERED
 MONBOX
 9-29-16



O.D.O.T. DISTRICT 2 SURVEY OFFICE (USE ONLY)

PERSONNEL _____ REFERENCE NO. 6 C SHEET 22 OF 25
NOTES RHOADES DATE 5-15-13 ROUTE SR 12
H.C. CODER WEATHER WINDY COUNTY SANDUSKY
R.C. ROUSOS TEMP. 70°F TOWNSHIP BALLVILLE
SECTION 19
T 4 N R 14 E

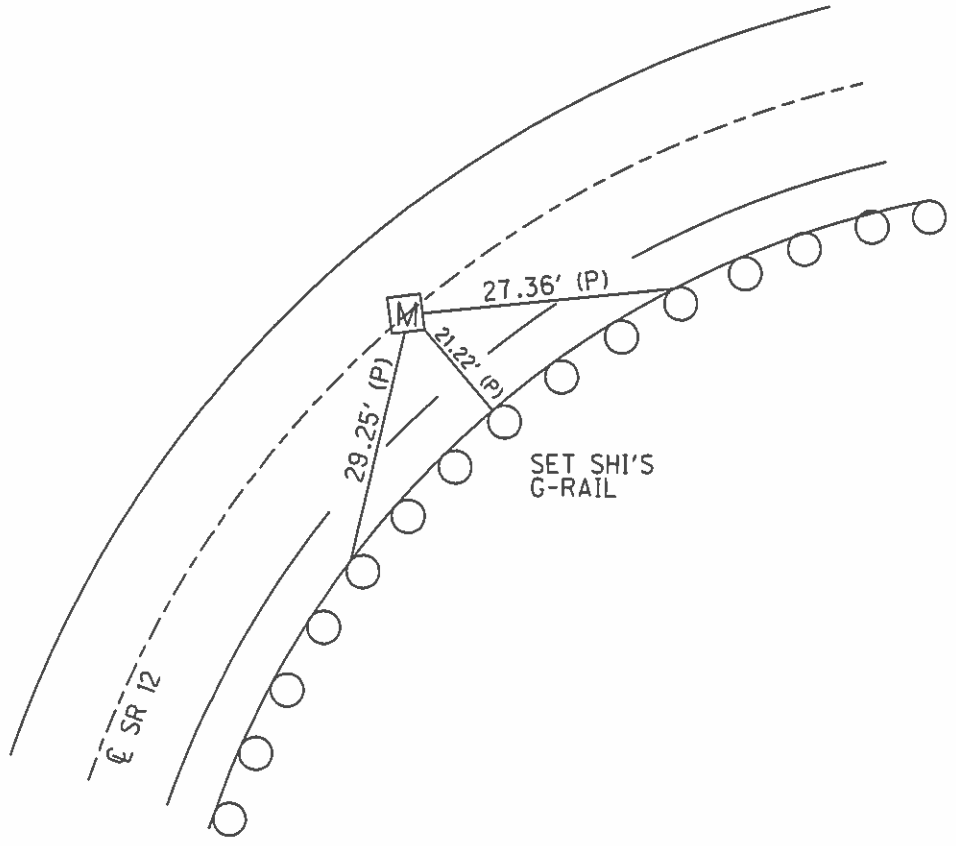
TYPE MONUMENT MON BOX
ON SURFACE - ~~BELOW~~ ON _____
LEFT - ☉ PAV'T - RIGHT ON _____
- TO EDGE PAVEMENT
S.L.M. 194+89.81



Grid: Northing: 592480.335 Easting: 1783002.568

RECORD:
GPS, SV5002
5-15-13, SDC

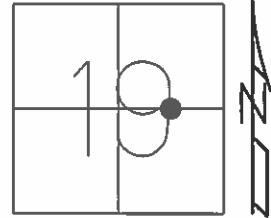
RECOVERED
MONBOX
9-29-16



O.D.O.T. DISTRICT 2 SURVEY OFFICE (USE ONLY)

PERSONNEL _____ REFERENCE NO. 7 SHEET 23 OF 25
 NOTES NUHFUR DATE 5-7-14 ROUTE SR 12
 H.C. O'DONNELL WEATHER SUNNY COUNTY SANDUSKY
 R.C. LEU TEMP. 80°F TOWNSHIP BALLVILLE
 SECTION 19
 T 4 N R 15 E

TYPE MONUMENT 1" IPIN
~~ON SURFACE~~ - BELOW 1"
 LEFT - ☉ PAV'T - ~~RIGHT~~ 109.64'
91' LT TO LT EDGE PAVEMENT
 S.L.M. 197+43.43



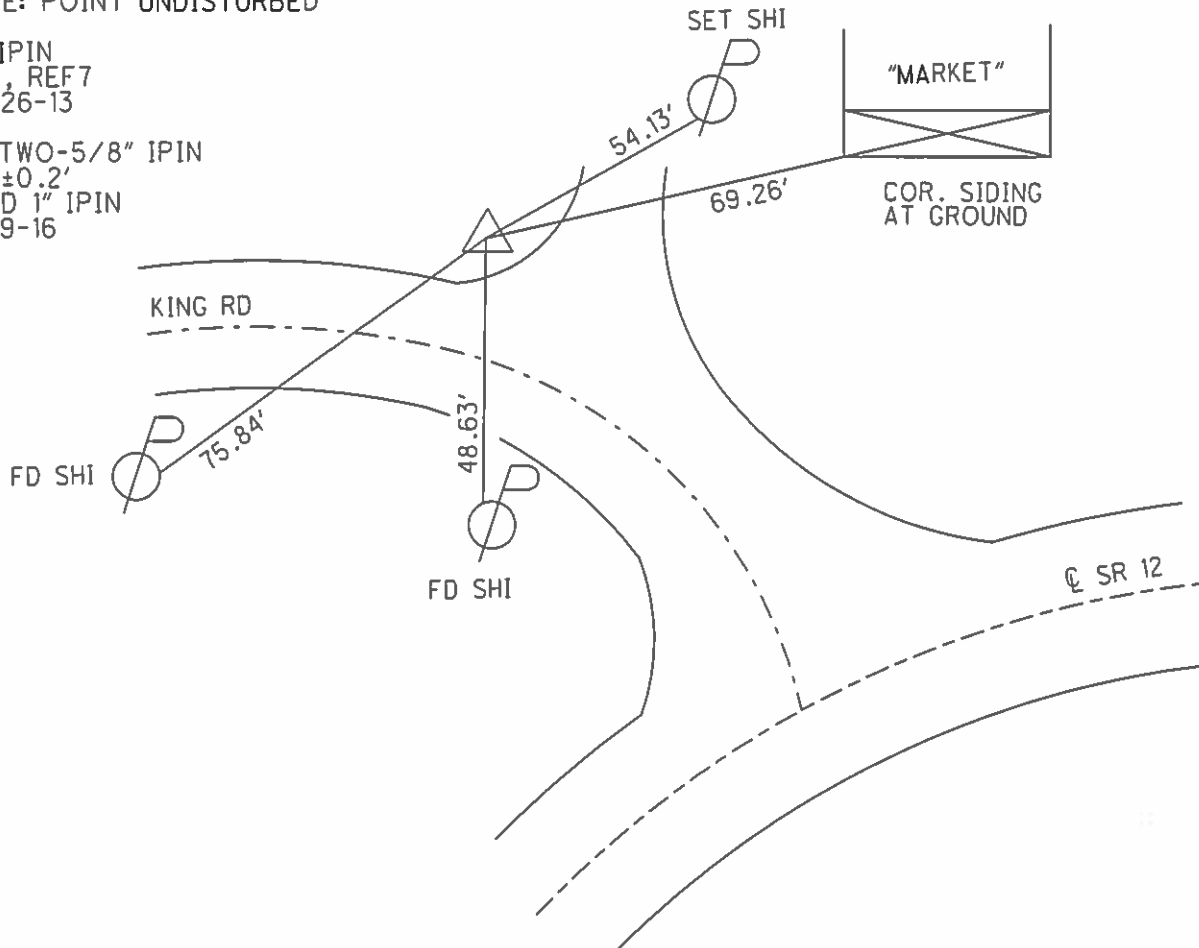
Grid: Northing: 592697.2938 Easting: 1783186.296

RECORD:
 P.I. $\Delta=45^{\circ}27'$ RT
 STA 197+77.18

PREVENTIVE MAINTENACE
 MICROSURFACED 2000
 EXISTING POINT UNCOVERED
 DATE: POINT UNDISTURBED

FD IPIN
 GPS, REF7
 03-26-13

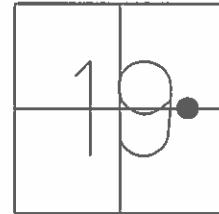
FD TWO-5/8" IPIN
 NW $\pm 0.2'$
 USED 1" IPIN
 9-29-16



O.D.O.T. DISTRICT 2 SURVEY OFFICE (USE ONLY)

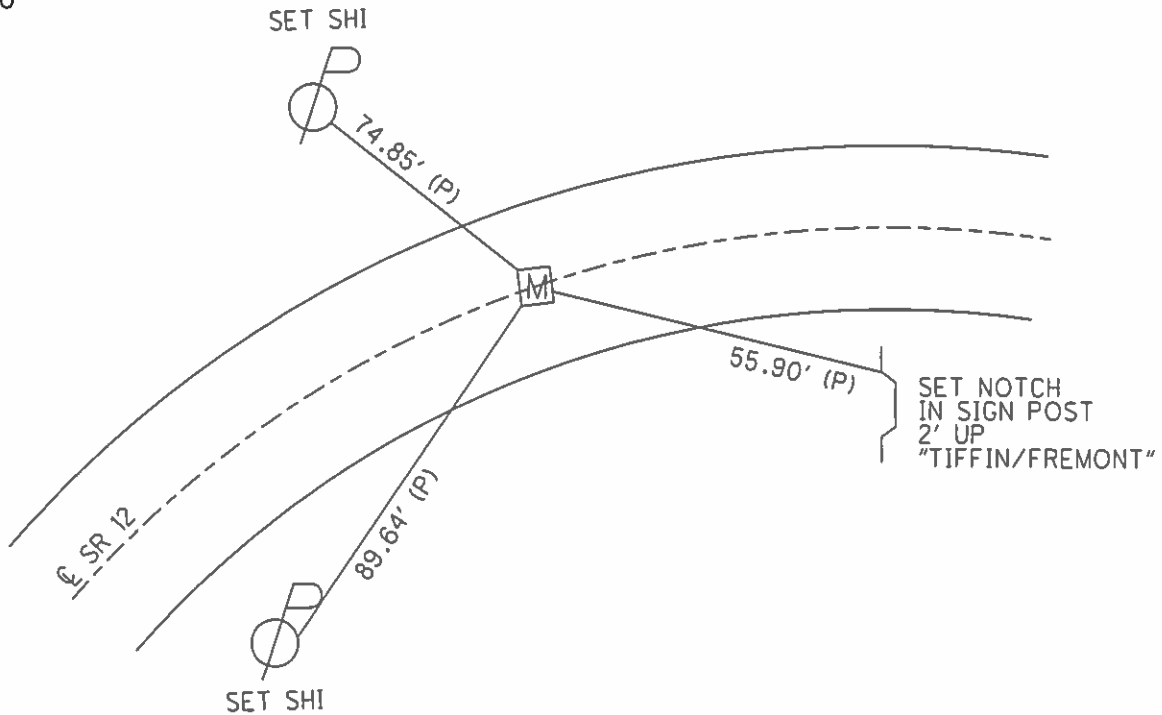
PERSONNEL _____ REFERENCE NO. 7 A SHEET 24 OF 25
 NOTES RHOADES DATE 5-15-13 ROUTE SR 12
 H.C. CODER WEATHER WINDY COUNTY SANDUSKY
 R.C. ROUSOS TEMP. 70°F TOWNSHIP BALLVILLE
 _____ SECTION 19
 _____ T 4 N R 15 E

TYPE MONUMENT MON BOX
 ON SURFACE - ~~BELOW~~ ON
 LEFT - ☉ PAV'T - RIGHT ON
- TO - EDGE PAVEMENT
 S.L.M. 199+97.06
 Grid: Northing: 592672.899 Easting: 1783469.345



RECORD:
 GPS, SV5001
 5-15-13, SDC

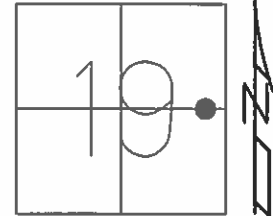
RECOVERED
 MONBOX
 9-29-16



O.D.O.T. DISTRICT 2 SURVEY OFFICE (USE ONLY)

PERSONNEL _____ REFERENCE NO. 7 B SHEET 25 OF 25
 NOTES RHOADES DATE 5-15-13 ROUTE SR 12
 H.C. CODER WEATHER WINDY COUNTY SANDUSKY
 R.C. ROUSOS TEMP. 70°F TOWNSHIP BALLVILLE
 _____ SECTION 19
 _____ T 4 N R 15 E

TYPE MONUMENT MON BOX
 ON SURFACE - ~~BELOW~~ ON
 LEFT - ☉ PAV'T - RIGHT ON
- TO - EDGE PAVEMENT
 S.L.M. 202+63.70



Grid: Northing: 592694.889 Easting: 1783734.737

RECORD:
 GPS, SV5000
 5-15-13, SDC

RECOVERED
 MONBOX
 9-29-16

