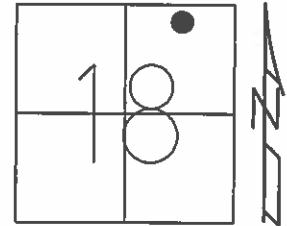


O.D.O.T. DISTRICT 2 SURVEY OFFICE (USE ONLY)

PERSONNEL _____ REFERENCE NO. 9 C SHEET 24 OF 33
 NOTES RHOADES DATE 4-25-16 ROUTE SR 19
 H.C. O'DONNELL WEATHER CLOUDY COUNTY SANDUSKY
 R.C. RHOADES TEMP. 62°F TOWNSHIP GREEN CREEK
 _____ SECTION 18
 _____ T 4 N R 16 E

TYPE MONUMENT PK/WASHER
~~ON SURFACE~~ - BELOW 5"
 LEFT - ☉ PAV'T - ~~RIGHT~~ 6'
 _____ TO _____ EDGE PAVEMENT
 S.L.M. 210+47



Grid: Northing: 600368.1045 Easting: 1815515.3504

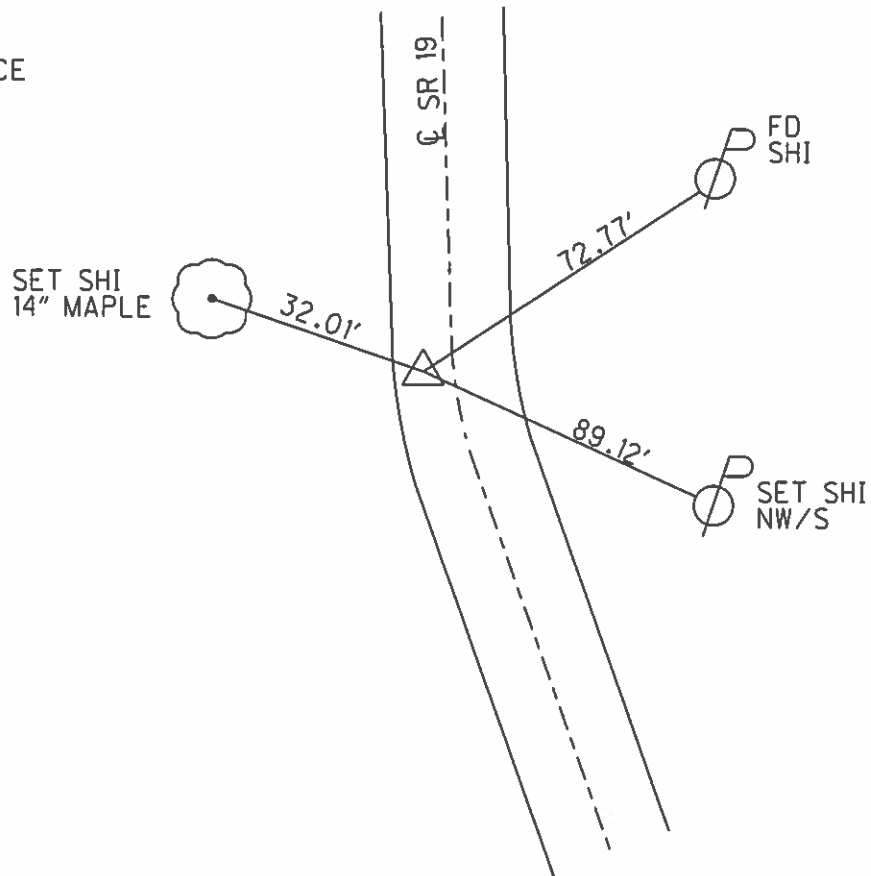
RECORD:
 $\Delta=07^{\circ}41'00''$
 PI 94+10.10
 PK/WASHER
 ATOP RE-ROD
 ATOP IRON PIPE
 18.5" BELOW
 REF. FIELD BOOK #55
 1986

MAYBE ERROR IN DISTANCE
 BACK TO PT @ 94+67.97
 DUE TO ERROR
 IN FIELD BOOK (PT)

SET MAG/WASHER
 09-17-02, DCH

FD PK/WASHER
 5" BELOW
 GPS, REFC9
 4-25-16

UNCOVERED
 9-2-16



O.D.O.T. DISTRICT 2 SURVEY OFFICE

PERSONNEL

REFERENCE NO. 9-c

SHEET 21 OF 31

NOTES Rousos

DATE 04-10-02

ROUTE SR 19

H.C. Homan

WEATHER Sunny

COUNTY Sandusky

R.C. Rousos

TEMP. 50°

TOWNSHIP Green Crk

SECTION 18

T 4 N R 16 E

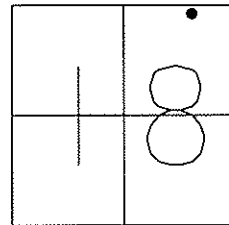
TYPE MONUMENT PK & Washer

ON SURFACE - BELOW on surface

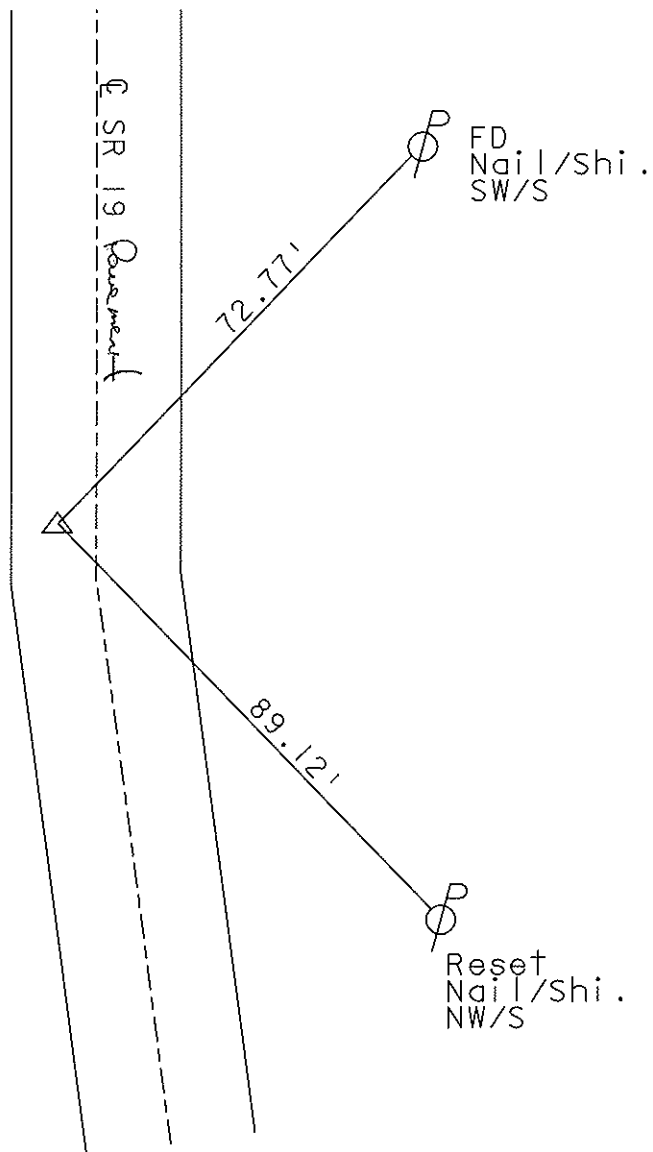
LEFT - ~~C PAVT~~ - RIGHT 6' +/-

TO EDGE PAVEMENT

S.L.M. 210+41 +/-



SET MAG NAIL & WASHER
09-17-02
DCH



(1986)
Record:
 $\Delta = 07^{\circ}41'00''$
PI
94+10.10
PK & Washer atop
re-rod atop
iron pipe
18.5" below surface
Ref. Field Book #55

Maybe error in distance
back to PT @ 94+67.97
due to error
in Field Book (PT)

O.D.O.T. DISTRICT 2 SURVEY OFFICE

PERSONNEL

NOTES Cronin
 H.C. Ripple
 R.C. Geyman
Barbour

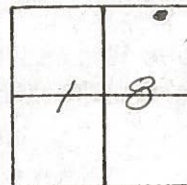
REFERENCE NO. 21
 DRAWN 10/01/86
 DATE 9/26/86
 WEATHER sunny
 TEMP. 78°

SHEET 21 OF 31

ROUTE #19
 COUNTY Sandusky
 TOWNSHIP GREEN CREEK
 SECTION 18
T 4 N R 16 E

TYPE MONUMENT P.K. & washer
 ON SURFACE - BELOW on surface
 LEFT- & PAW'T. - RIGHT 6' Lt. & Pav't.
 TO EDGE PAVEMENT
 S.L.M. _____

90



$\Delta = 07^{\circ} 41' 00''$ Pl. Rec.

P.I.

94+10.10

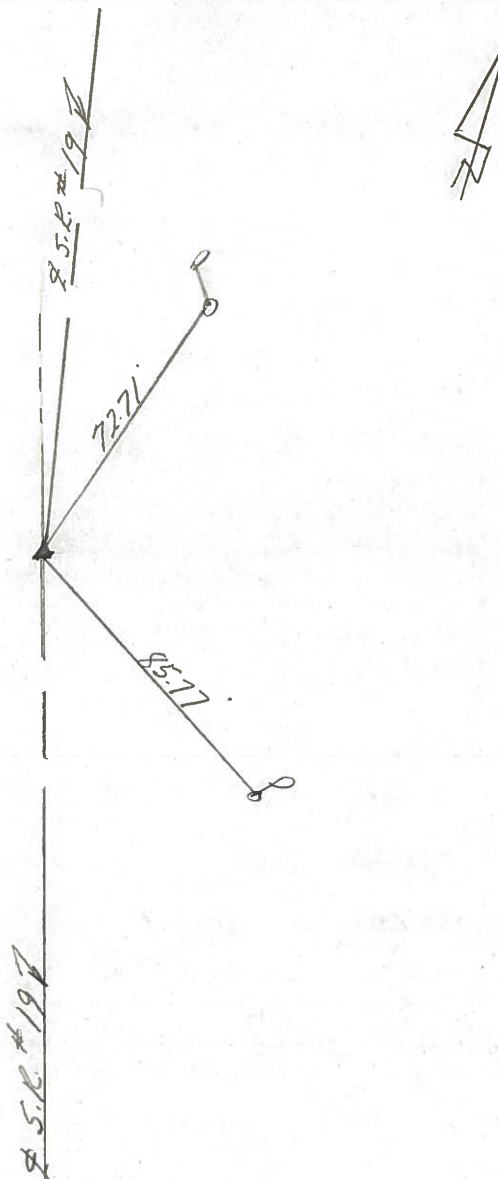
P.K. & washer a top re-rod atop

Iron pipe 18 1/2" below surface

Ref. Field Book # 55

Maybe error in distance back

to P.T. @ 94+67.97 due to error in Field Book (P.T.)



PERSONNEL	TITLE	PERSONNEL	TITLE	COUNTY	Sandusky	DATE	8/23/78
Cronin		Schneider		S. R.	#19 (I.C.H. 515)	WEATHER	sunny
Ripple		Barbour		SEC.	'C' Field Bk. # 55	TEMP.	85°
Geyman							

DESCRIPTION Ties for Control Points JOB NO. _____

