

O.D.O.T. DISTRICT 2 SURVEY OFFICE (USE ONLY)

PERSONNEL

REFERENCE NO. 12 G

SHEET 10 OF 32

NOTES RHOADES

DATE 10/13/23

ROUTE US 20

H.C. AUBLE

WEATHER CLOUDY

COUNTY SANDUSKY

R.C. NIESE

TEMP. 57°

TOWNSHIP WOODVILLE

ASTON

SECTION 1

DWG BY RHOADES PID 110021

T 6 N R 13 E

TYPE MONUMENT MONBOX W/1" IPIN

ON SURFACE - ~~BELOW~~ ON

OFFSET 1.0' TO S EDGE PAVEMENT LT : ~~RT~~

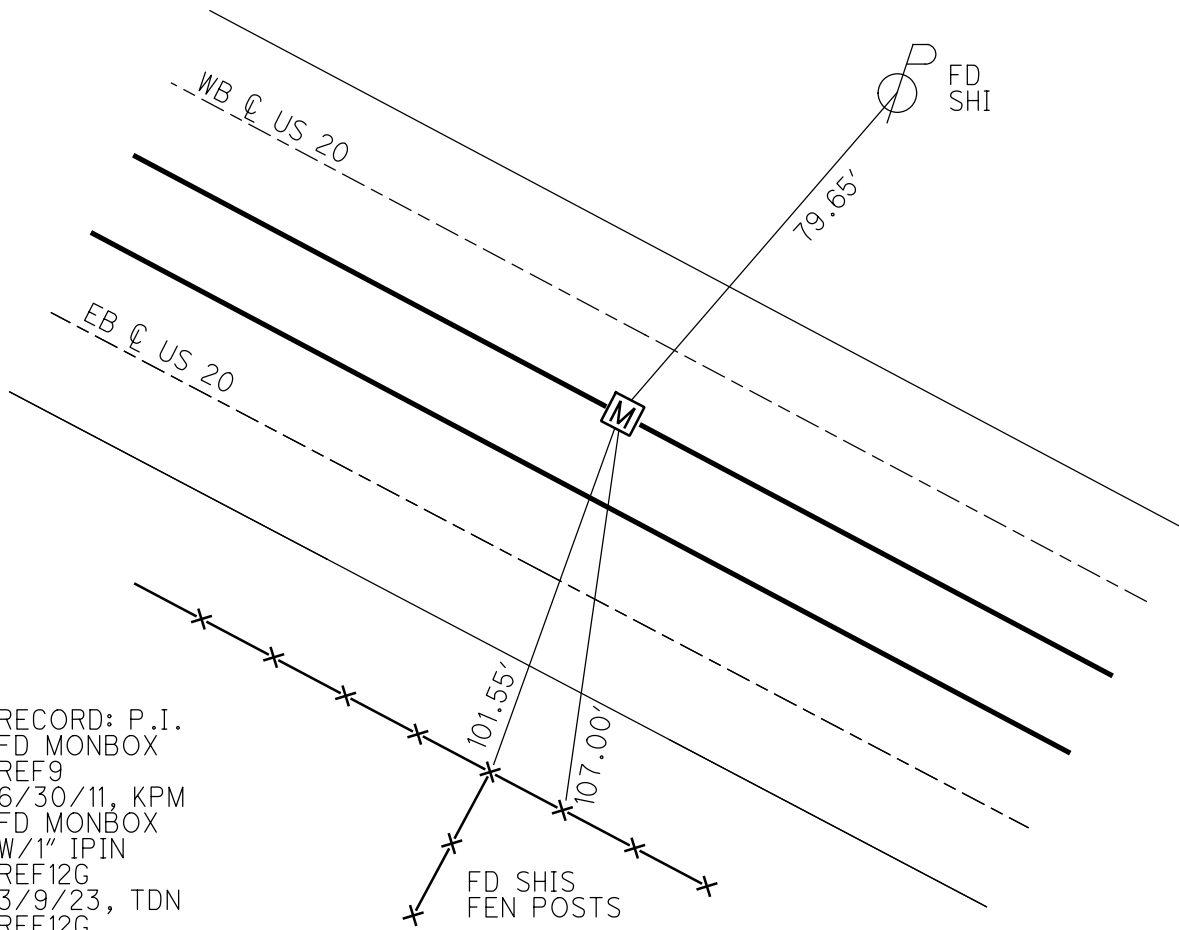
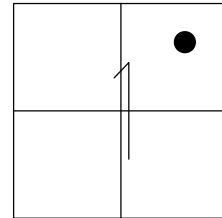
STATION: 345+40.69

HORIZ.DATUM: NAD83 2011

GEOID: NAVD88 2018

GRID: NORTHING: 642229.056

EASTING: 1747969.496

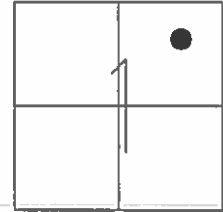


RECORD: P.I.  
 FD MONBOX  
 REF9  
 6/30/11, KPM  
 FD MONBOX  
 W/1" IPIN  
 REF12G  
 3/9/23, TDN  
 REF12G  
 10/13/23, DSA

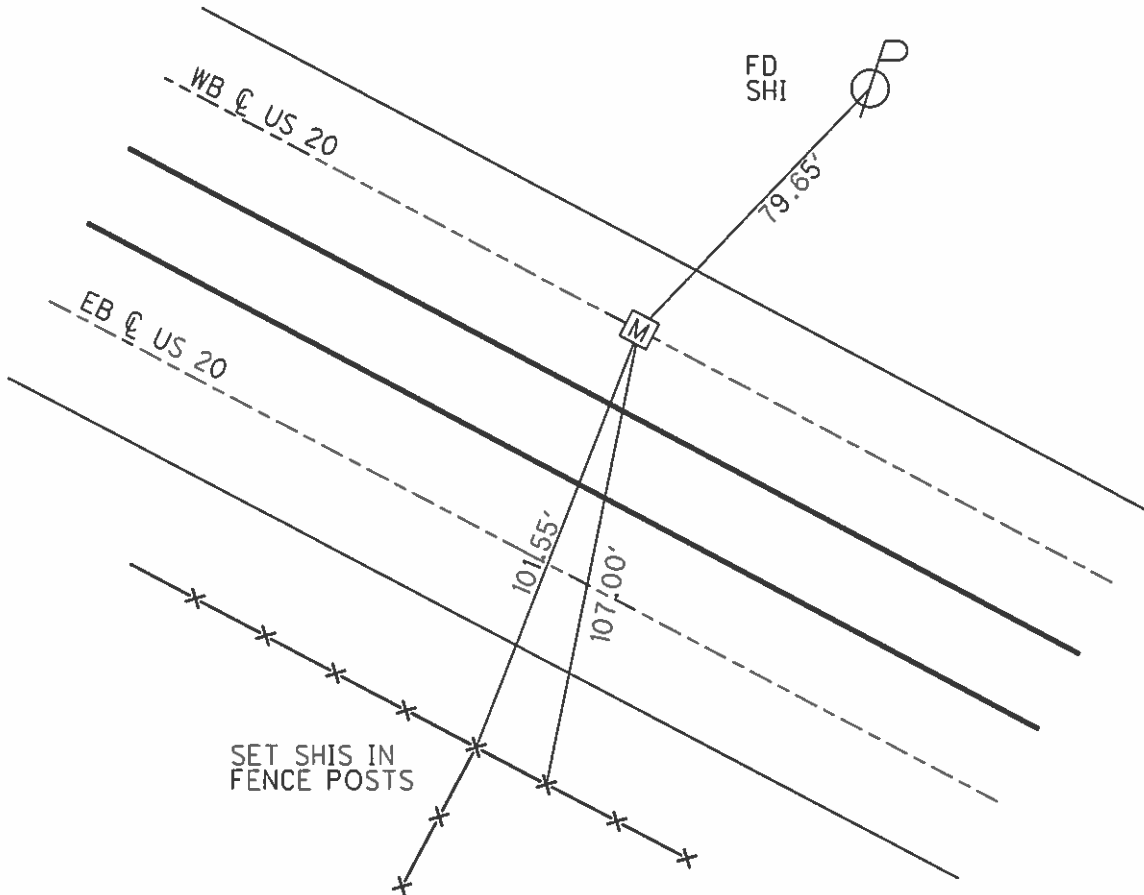
O.D.O.T. DISTRICT 2 SURVEY OFFICE (USE ONLY)

PERSONNEL	REFERENCE NO.	<u>9</u>	SHEET	<u>10</u>	OF	<u>33</u>
NOTES	<u>HARBAUGH</u>	DATE	<u>7/6/11</u>	ROUTE	<u>US 20</u>	
H.C.	<u>MOSER</u>	WEATHER	<u>CLOUDY</u>	COUNTY	<u>SANDUSKY</u>	
R.C.	<u>FINGER</u>	TEMP.	<u>89°</u>	TOWNSHIP	<u>WOODVILLE</u>	
				SECTION	<u>1</u>	
				T	<u>5</u>	R
					<u>13</u>	E

TYPE MONUMENT MON BOX  
 ON SURFACE - ~~BELOW~~ ON  
 LEFT - ☉ PAV'T - ~~RIGHT~~ 10.8' (WB LANE)  
1.0' TO S EDGE PAVEMENT  
 S.L.M. 345+40.69  
 GRID: NORTHING: 642229.028 EASTING: 1747969.427



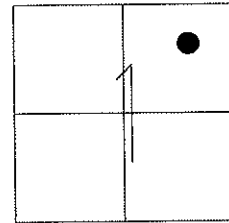
RECORD: P.I.  
 GPS, REF 9  
 6/30/11, KPM



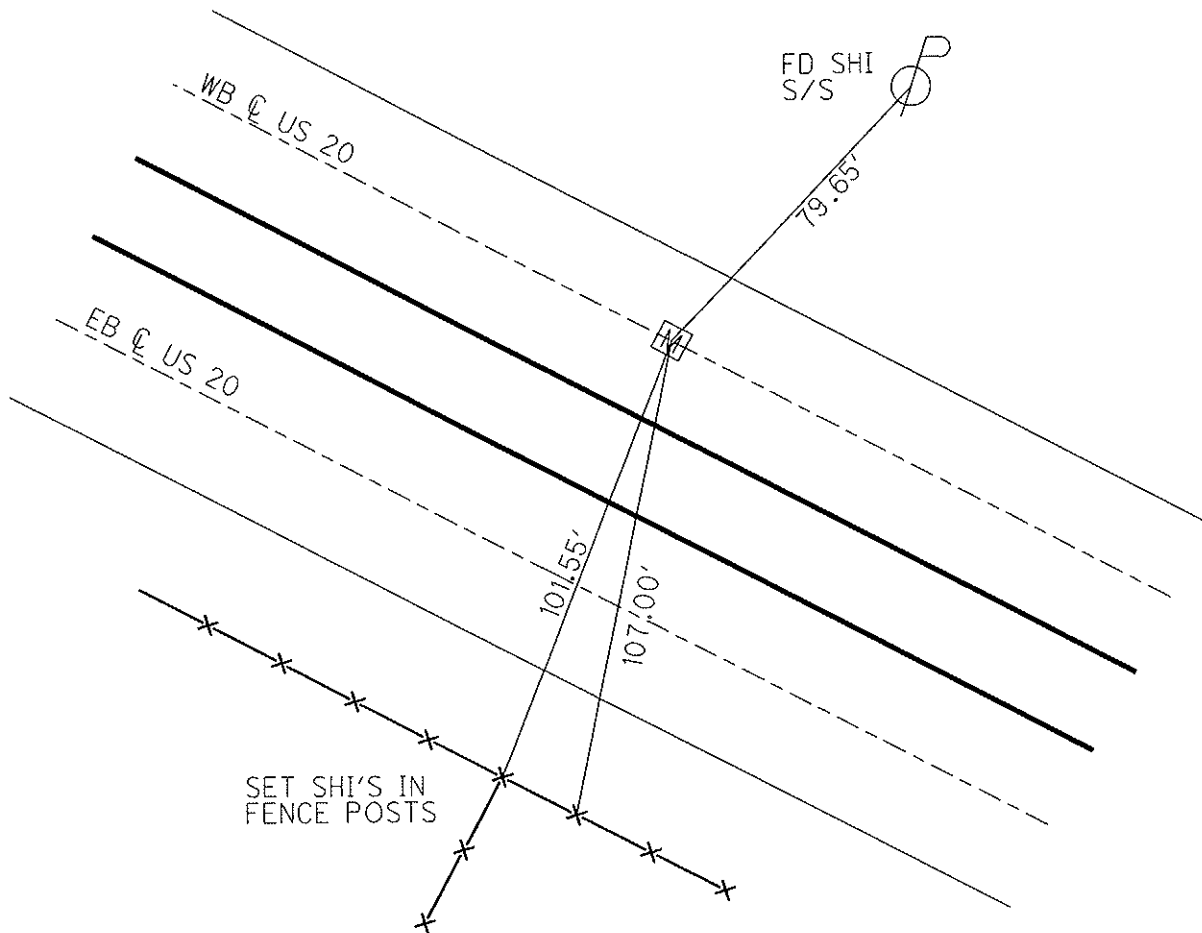
O.D.O.T. DISTRICT 2 SURVEY OFFICE

PERSONNEL	REFERENCE NO. <u>9</u>	SHEET <u>10</u> OF <u>33</u>
NOTES <u>HARBAUGH</u>	DATE <u>7/6/11</u>	ROUTE <u>US 20</u>
H.C. <u>MOSE</u>	WEATHER <u>CLOUDY</u>	COUNTY <u>SANDUSKY</u>
R.C. <u>FINGER</u>	TEMP. <u>89°</u>	TOWNSHIP <u>WOODVILLE</u>
		SECTION <u>1</u>
		T <u>5</u> N R <u>13</u> E

TYPE MONUMENT MON. BOX  
 ON SURFACE - ~~BELOW~~ ON  
 LEFT - ☉ PAV'T - ~~RIGHT~~ 10.8' (WB LANE)  
1.0' TO S EDGE PAVEMENT  
 S.L.M. 345+40.69  
 Grid: Northing: 642229.028 Easting: 1747969.427



NOTE: P.I.  
 GPS, REF 9  
 6/30/11, KPM



PERSONNEL	TITLE	PERSONNEL	TITLE

COUNTY Sandusky DATE 7-21-71  
 S. R. U.S. #20 WEATHER Fair  
 SEC. 3.10-3.70 TEMP. 80°  
 DESCRIPTION Sec 1 Woodville Twp. JOB NO. \_\_\_\_\_

