

O.D.O.T. DISTRICT 2 SURVEY OFFICE (USE ONLY)

PERSONNEL

REFERENCE NO. 17 B

SHEET 19 OF 33

NOTES HARBAUGH

DATE 7/11/11

ROUTE US 20

H.C. MOSER

WEATHER CLOUDY

COUNTY SANDUSKY

R.C. LUMBREZER

TEMP. 98°

TOWNSHIP WASHINGTON

DWG BY RHOADES PID 76710

SECTION 8

T 5 N R 14 E

TYPE MONUMENT P.K./WASHER

ON SURFACE - ~~BELOW~~ ON _____

OFFSET ☐ PAVEMENT _____ LT : ~~RT~~

3.9' TO S EDGE PAVEMENT

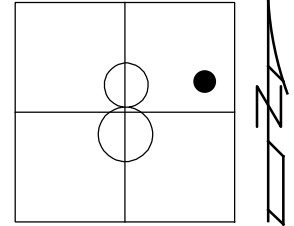
STATION: 481+00

HORIZ.DATUM: NAD83

GEOID: NAVD88 2003

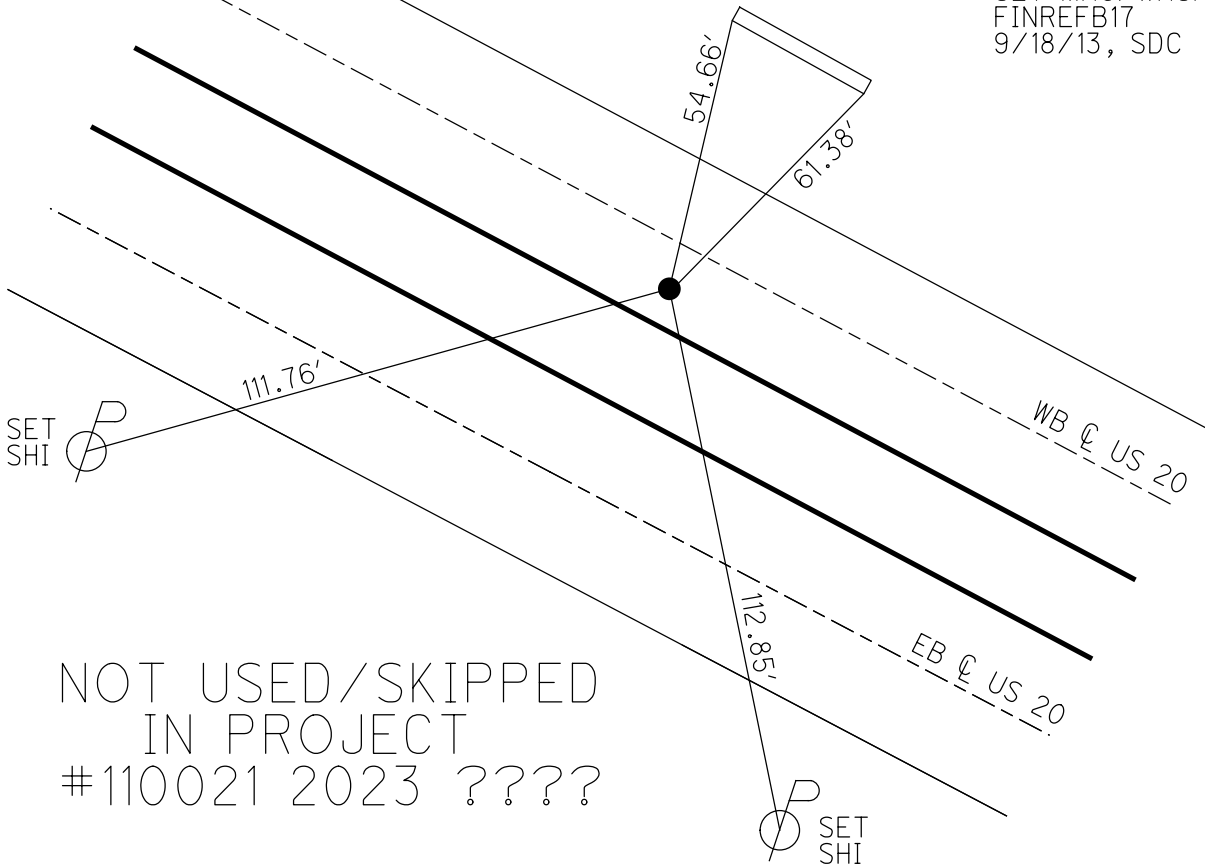
GRID: NORTHING: 635728.613

EASTING: 1759740.603



RECORD:
THIS POINT WAS SET
ON ☐ FOR CONTROL
PROJECT SAN-20-9.11
SET P.K./WASHER
REFB17
6/30/11, KPM
SET MAG/WASHER
FINREFB17
9/18/13, SDC

TOP NEAR
EDGES CONC
HEADWALL
CULV SAN-20-9.11

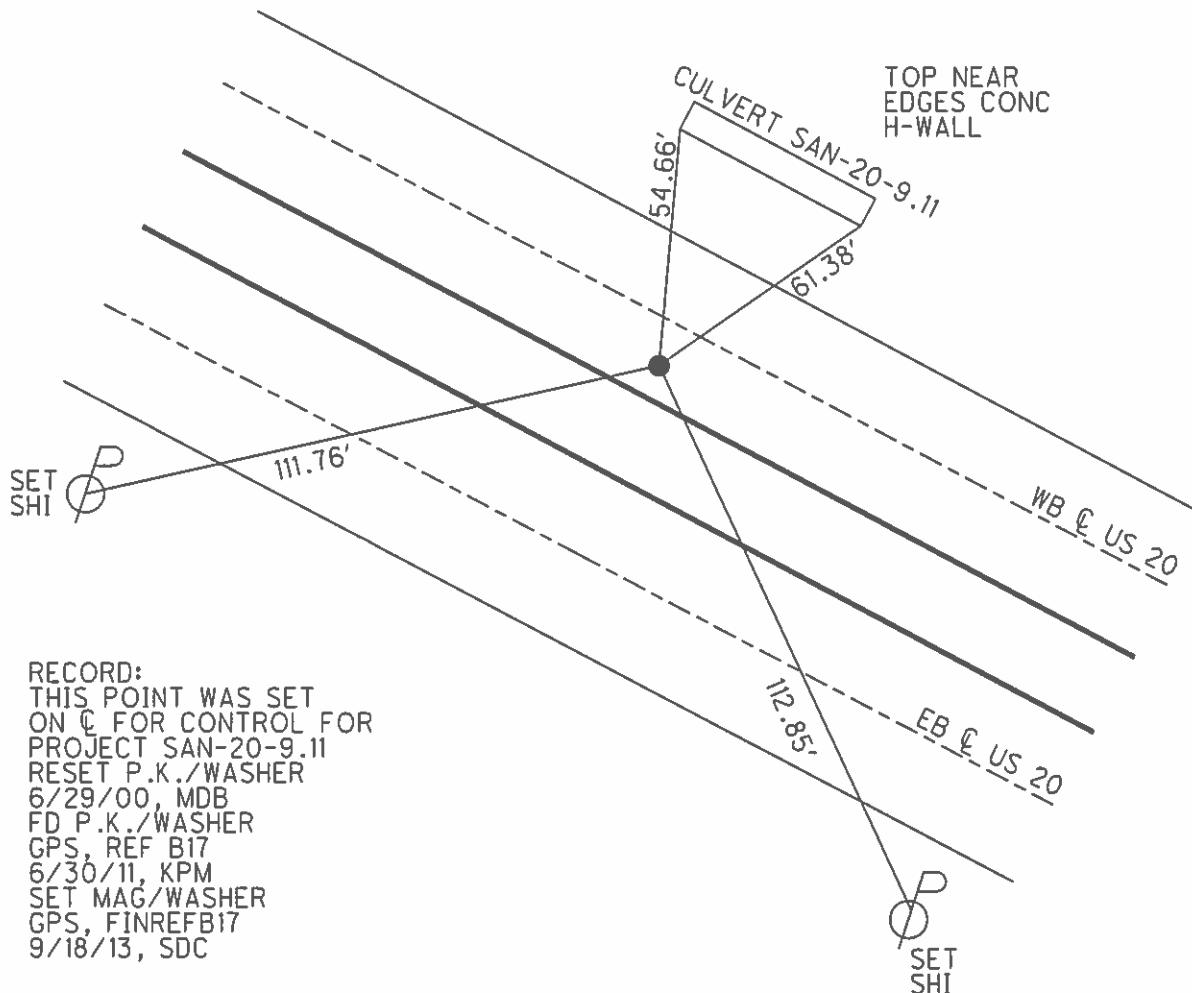
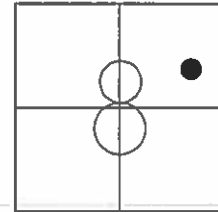


NOT USED/SKIPPED
IN PROJECT
#110021 2023 ????

O.D.O.T. DISTRICT 2 SURVEY OFFICE (USE ONLY)

PERSONNEL _____ REFERENCE NO. 17 B SHEET 19 OF 33
 NOTES HARBAUGH DATE 7/11/11 ROUTE US 20
 H.C. MOSER WEATHER CLOUDY COUNTY SANDUSKY
 R.C. LUMBREZER TEMP. 98° TOWNSHIP WASHINGTON
 _____ SECTION 8
 _____ T 5 N R 14 E

TYPE MONUMENT P.K./WASHER
 ON SURFACE - ~~BELOW~~ ON _____
 LEFT - ☉ PAV'T - RIGHT _____
3.9' TO S EDGE PAVEMENT (WB LANE)
 S.L.M. 481+00
 GRID: NORTHING: 635728.613 EASTING: 1759740.603



O.D.O.T. DISTRICT 2 SURVEY OFFICE

PERSONNEL

REFERENCE NO. 17 B

SHEET 19 OF 33

NOTES HARBAUGH

DATE 7/11/11

ROUTE US 20

H.C. MOSER

WEATHER CLOUDY

COUNTY SANDUSKY

R.C. LUMBREZER

TEMP. 98°

TOWNSHIP WASHINGTON

SECTION 8

T 5 N R 14 E

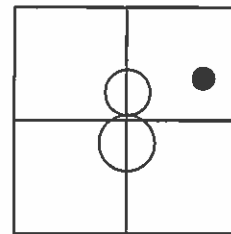
TYPE MONUMENT P.K./WASHER

ON SURFACE - ~~BELOW~~ ON

LEFT - ☉ PAV'T - RIGHT _____

3.9' TO S EDGE PAVEMENT (WB LANE)

S.L.M. 481+00



Grid: Northing: 635728.613 Easting: 1759740.603

