

O.D.O.T. DISTRICT 2 SURVEY OFFICE (USE ONLY)

PERSONNEL

REFERENCE NO. 20

SHEET 22 OF 32

NOTES RHOADES

DATE 8/9/23

ROUTE US 20

H.C. AUBLE

WEATHER SUNNY

COUNTY SANDUSKY

R.C. NIESE

TEMP. 79°

TOWNSHIP WASHINGTON

ASTON

SECTION 9

DWG BY RHOADES

PID 110021

T 6 N R 14 E

TYPE MONUMENT MAG/WASHER

ON SURFACE - ~~BELOW~~ ON

OFFSET CL PAVEMENT 10' LT : ~~RT~~

7.4' TO S EDGE PAVEMENT

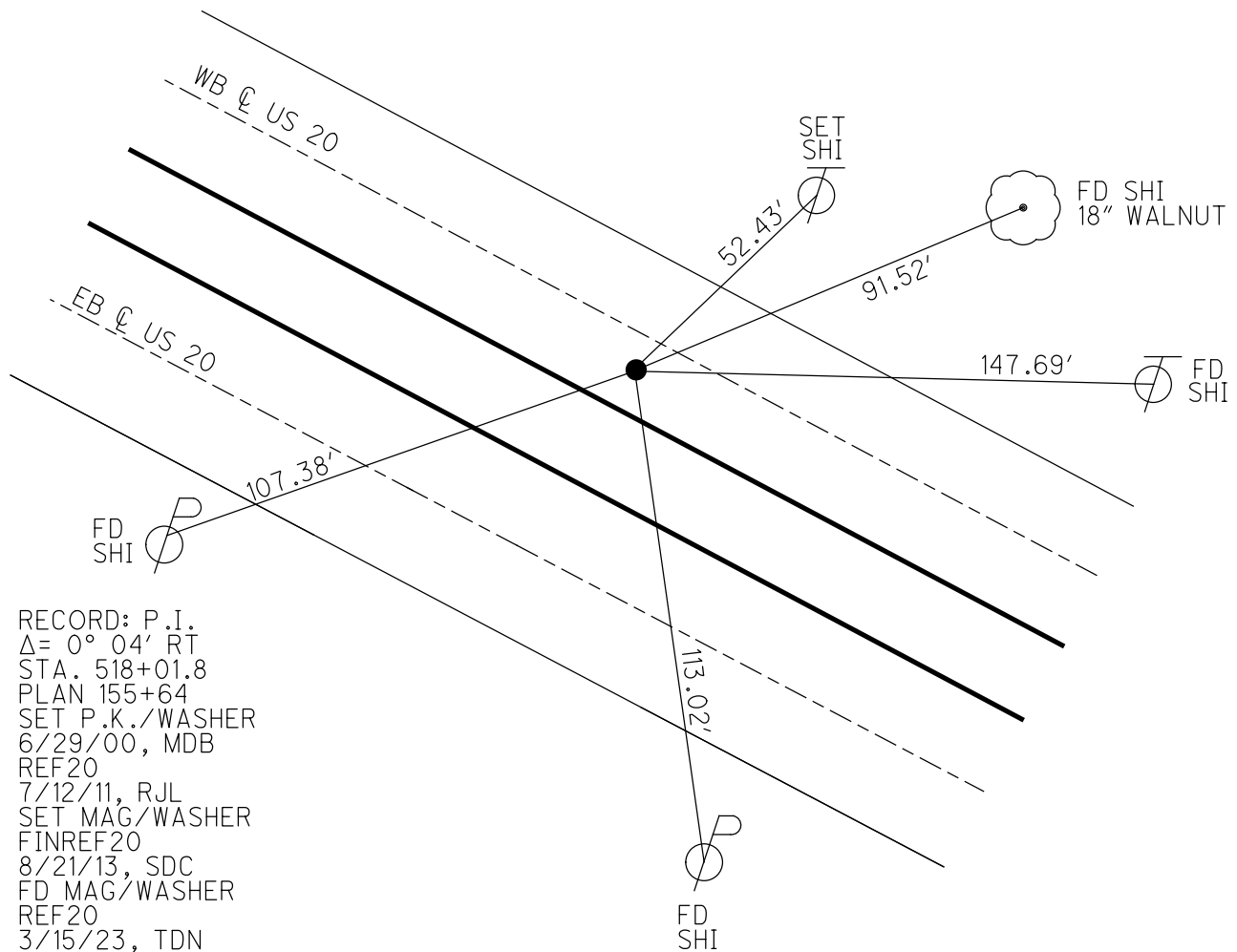
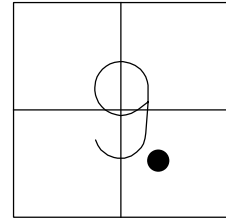
STATION: 517+55

HORZ.DATUM: NAD83 2011

GEOID: NAVD88 2018

GRID: NORTHING: 633927.078

EASTING: 1762973.998



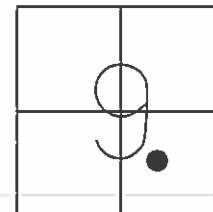
RECORD: P.I.
 $\Delta = 0^\circ 04' RT$
 STA. 518+01.8
 PLAN 155+64
 SET P.K./WASHER
 6/29/00, MDB
 REF20
 7/12/11, RJL
 SET MAG/WASHER
 FINREF20
 8/21/13, SDC
 FD MAG/WASHER
 REF20
 3/15/23, TDN
 SET MAG/WASHER
 8/9/23, DSA

O.D.O.T. DISTRICT 2 SURVEY OFFICE (USE ONLY)

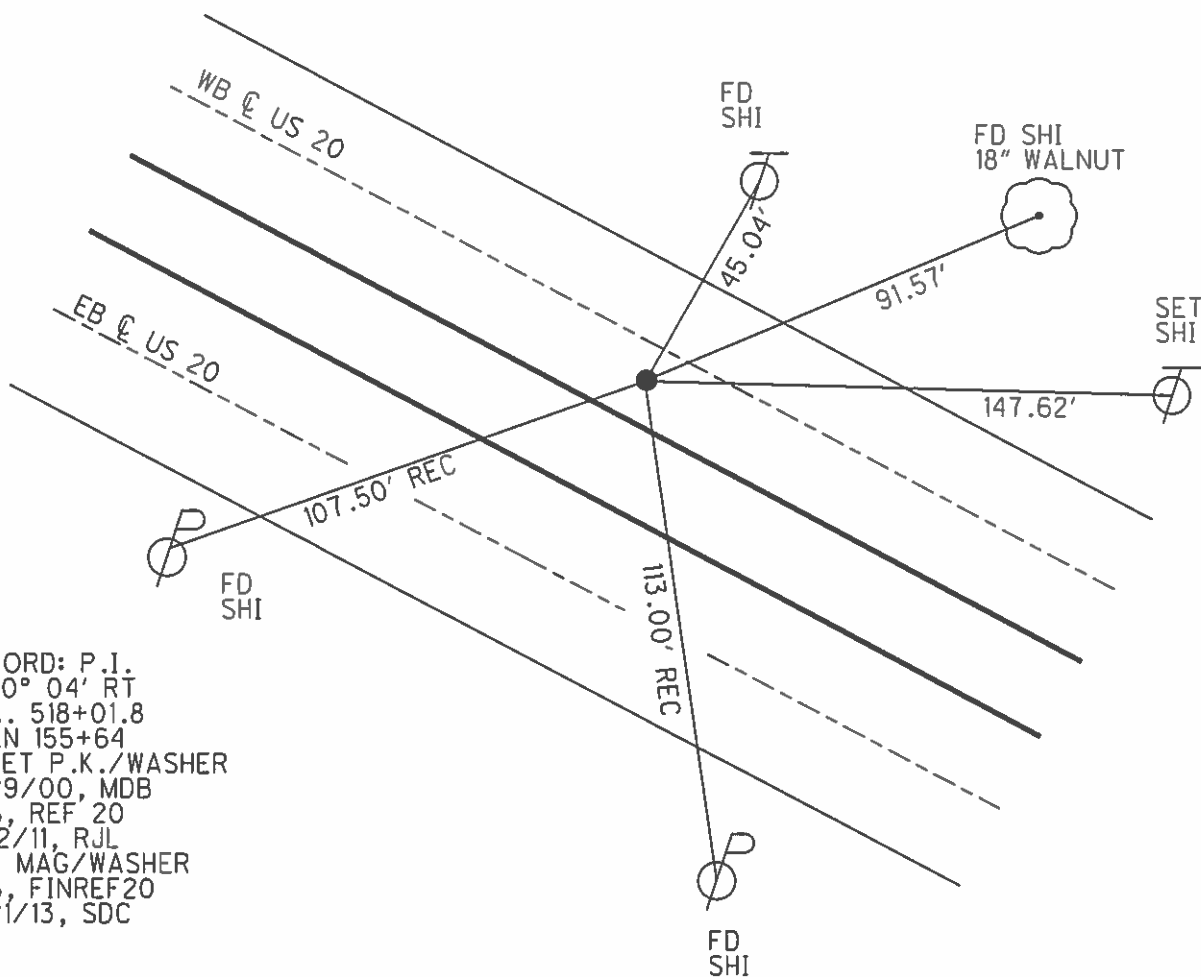
PERSONNEL _____ REFERENCE NO. 20 SHEET 23 OF 33

NOTES	CODER _____	DATE	<u>8/21/13</u>	ROUTE	<u>US 20</u>
H.C.	<u>ROUSOS</u>	WEATHER	<u>CLEAR</u>	COUNTY	<u>SANDUSKY</u>
R.C.	<u>WESTFALL</u>	TEMP.	<u>85°</u>	TOWNSHIP	<u>WASHINGTON</u>
	_____			SECTION	<u>9</u>
	_____				<u>T 5 N R 14 E</u>

TYPE MONUMENT MAG/WASHER
 ON SURFACE - ~~BELOW~~ ON _____
 LEFT - ☉ PAV'T - ~~RIGHT~~ 10' (WB INSIDE LANE)
7.4' TO S EDGE PAVEMENT
 S.L.M. 517+55



GRID: NORTHING: 633927.115 EASTING: 1762974.036

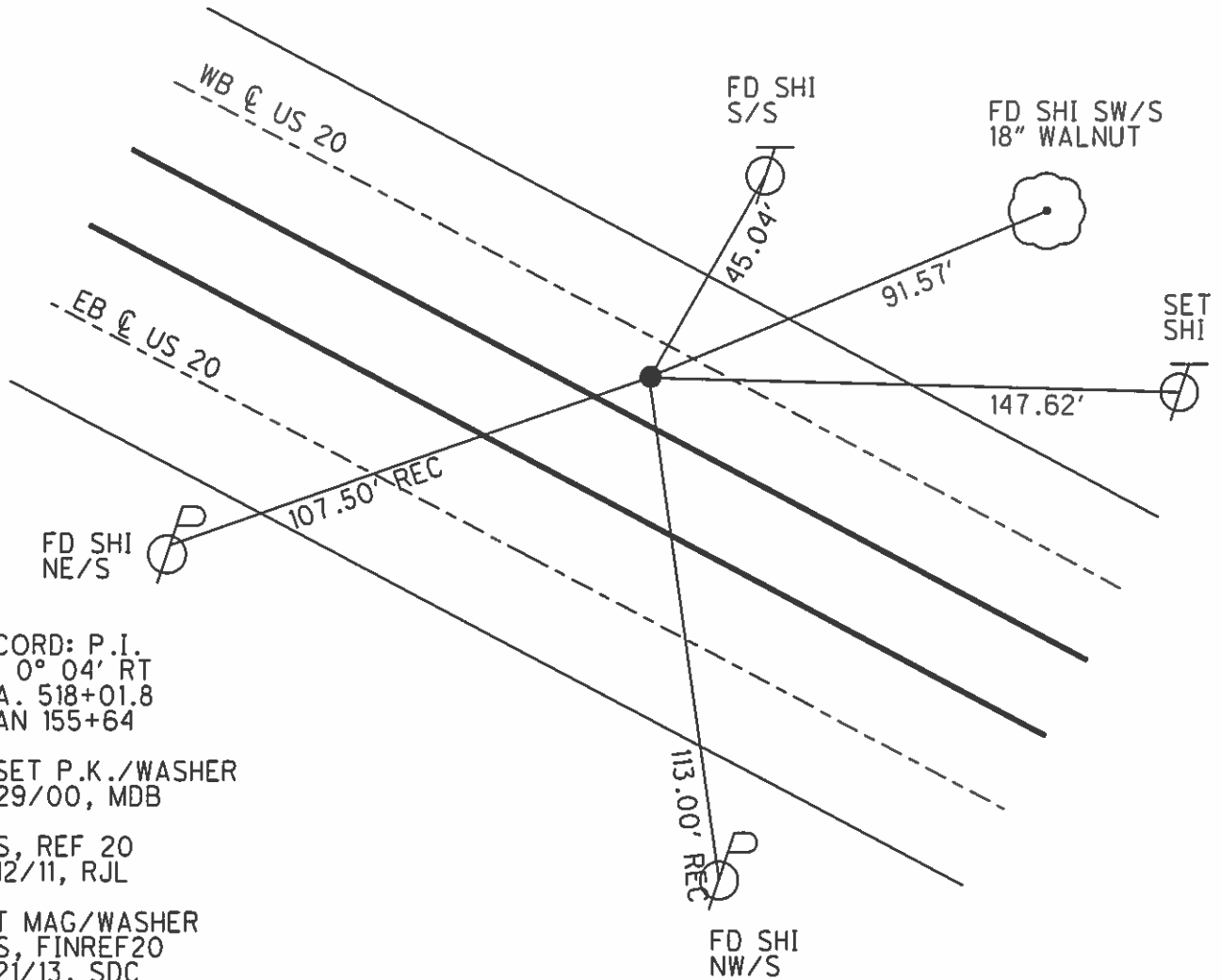
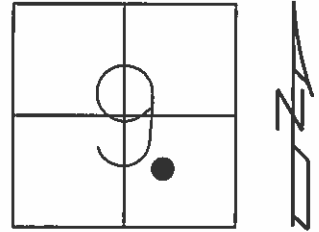


RECORD: P.I.
 $\Delta = 0^\circ 04' RT$
 STA. 518+01.8
 PLAN 155+64
 RESET P.K./WASHER
 6/29/00, MDB
 GPS, REF 20
 7/12/11, RJL
 SET MAG/WASHER
 GPS, FINREF20
 8/21/13, SDC

O.D.O.T. DISTRICT 2 SURVEY OFFICE

PERSONNEL	REFERENCE NO. <u>20</u>	SHEET <u>23</u> OF <u>33</u>
NOTES <u>CODER</u>	DATE <u>8/21/13</u>	ROUTE <u>US 20</u>
H.C. <u>ROUSOS</u>	WEATHER <u>CLEAR</u>	COUNTY <u>SANDUSKY</u>
R.C. <u>WESTFALL</u>	TEMP. <u>85°</u>	TOWNSHIP <u>WASHINGTON</u>
		SECTION <u>9</u>
		T <u>5</u> N R <u>14</u> E

TYPE MONUMENT MAG/WASHER
 ON SURFACE - ~~BELOW~~ ON _____
 LEFT - C PAV'T - ~~RIGHT~~ 10' (WB INSIDE LANE)
7.4' TO S EDGE PAVEMENT
 S.L.M. 517+55
 Grid: Northing: 633927.115 Easting: 1762974.036



RECORD: P.I.
 $\Delta = 0^{\circ} 04' RT$
 STA. 518+01.8
 PLAN 155+64

RESET P.K./WASHER
 6/29/00, MDB

GPS, REF 20
 7/12/11, RJL

SET MAG/WASHER
 GPS, FINREF20
 8/21/13, SDC

Q.D.O.T. DISTRICT 2 SURVEY OFFICE

SHEET 9 OF

County Sandusky S.R. 05#20

Date 7 April 83

Township Washington

Weather Cloudy

Section 9

Temp. 45°

T , R , E

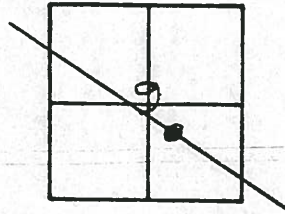
Personnel L. Stone

P. Neuser

R. Michalak

D. Curtis

20



517+55

REF. No. 20

~~CHENEY
RIPPLE
BAEBOVIC
GEYMAN~~

~~9-17-1991
70°~~

~~RE-SET PK W/WASHER~~

4/01/91
Temp. 40°

Shiner's
15" Walnut

Neal Shiner

91.55

Shiner's

44.92
45.04'

MEDIAN

EUS#207

W.B.L.

500.

141.40

109.90

Shiner's

Shiner's

P.I. 518+01.8 (155+64 RAW)
Δ = 1° 04' RT.

Fd. "x" on brick. 6" drop
7.5' 6.8' S. to S. edge W.B.L.

P.I. Δ RT.

Set small RR Spk 8/8/83

Q.D.O.T. DISTRICT 2 SURVEY OFFICE

SHEET 9 OF

County Sandusky S.R. 05#20

Date 7 April 83

Township Washington

Weather Cloudy

Section 9

Temp. 45°

T N, R E

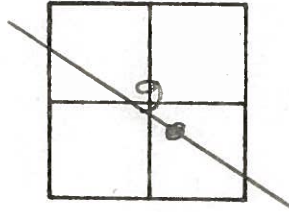
Personnel H. Stone

P. Neuser

R. Michaelak

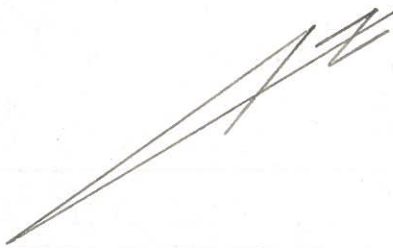
D. Curtis

20



517+55

REF. No. 20



Shiner's
15" Walnut

Shiner's

Shiner's

Shiner's

05#20

MEDIAN

91.55

44.92

141.40

109.90

500

W.B.L.

P.I. 518+01.8 (155+64 PAV)
Δ = 1° 04' Rt.

Fd. "x" on brick 6" deep
6.8' S. to S. edge W.B.L.
P.I. Δ Rt.

Set small RR Spk 8/2/83

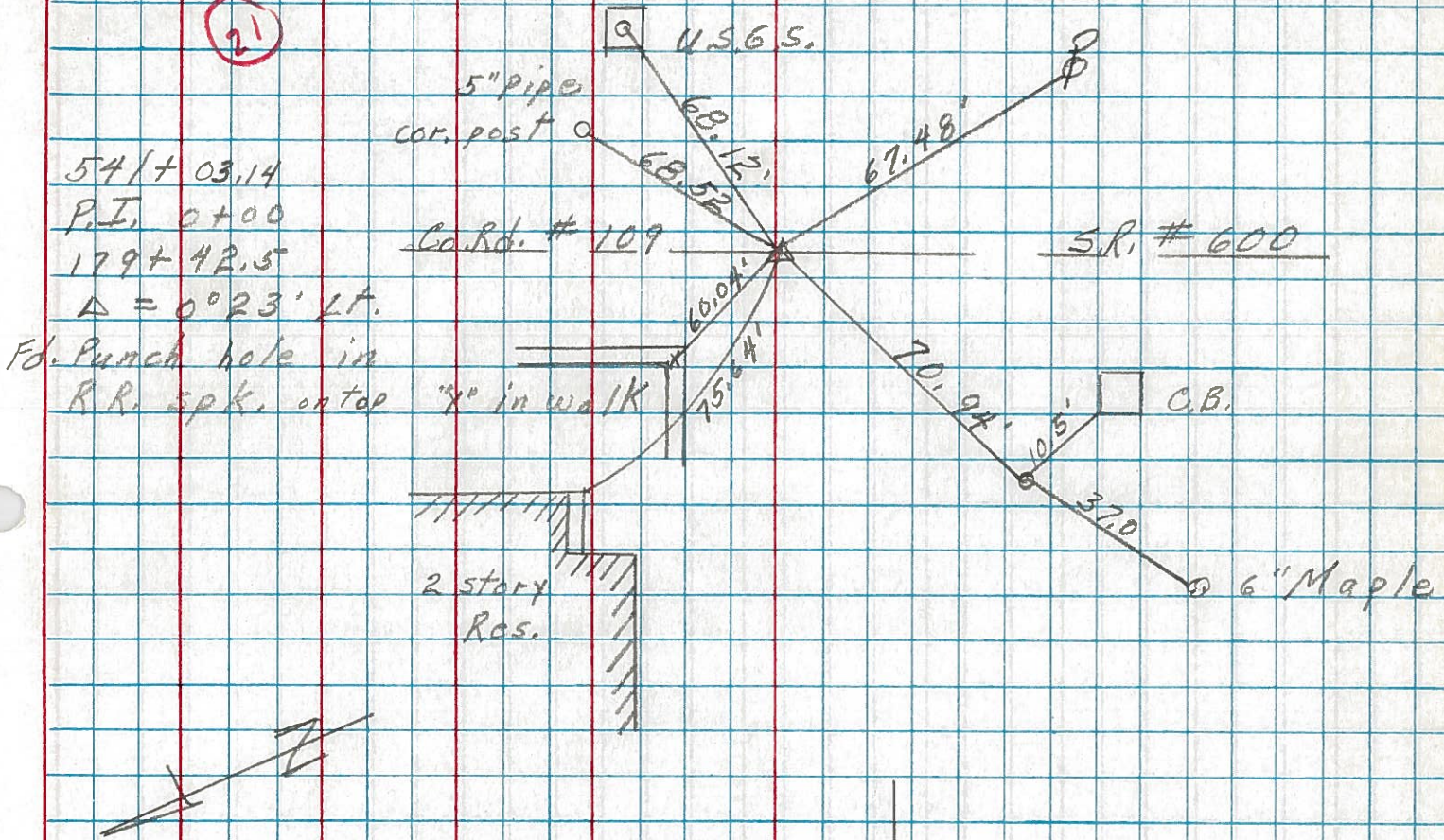
PERSONNEL TITLE PERSONNEL TITLE

Schneider
Mosser
Barbour
Geyman

COUNTY Sandusky DATE 8-10-73
S. R. U. S. # 20 WEATHER HOT
SEC. 9 TEMP. 85°

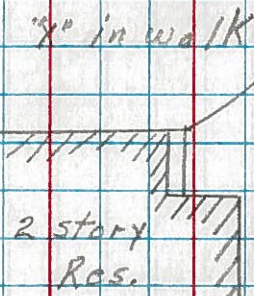
DESCRIPTION Washington Twp. JOB NO.
LEFT CENTER LINE RIGHT

21

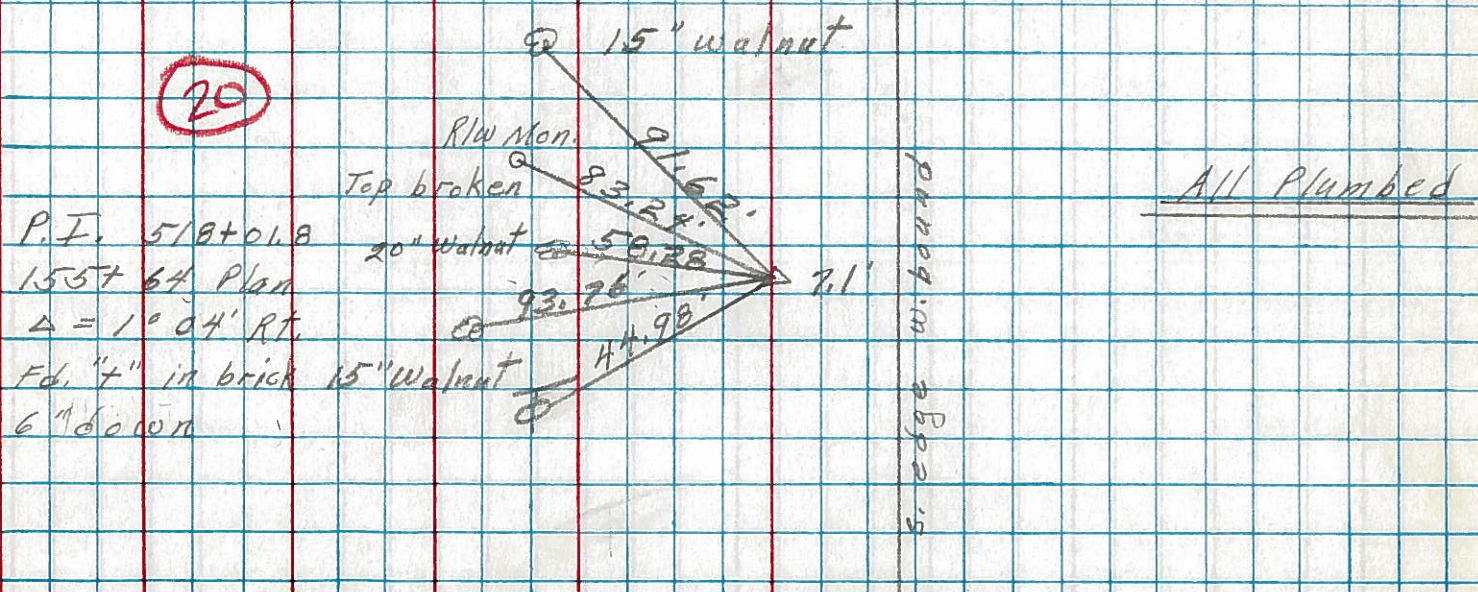


541+03.14
P.I. 0+00
179+42.5
 $\Delta = 0^\circ 23' \text{ LT.}$

Fd. Punch hole in
R.R. spk. on top



20



P.I. 518+01.8
1557 64 Plan
 $\Delta = 1^\circ 04' \text{ RT.}$
Fd. "7" in brick
6" down

All Plumbed

plumb edge w. bound
s. edge s.