

O.D.O.T. DISTRICT 2 SURVEY OFFICE (USE ONLY)

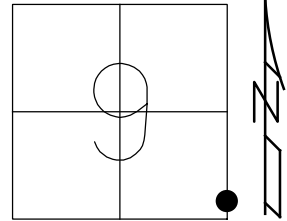
PERSONNEL _____ REFERENCE NO. 22 SHEET 24 OF 32

NOTES RHOADES DATE 8/9/23 ROUTE US 20
 H.C. AUBLE WEATHER SUNNY COUNTY SANDUSKY
 R.C. NIESE TEMP. 79° TOWNSHIP WASHINGTON
ASTON SECTION 9

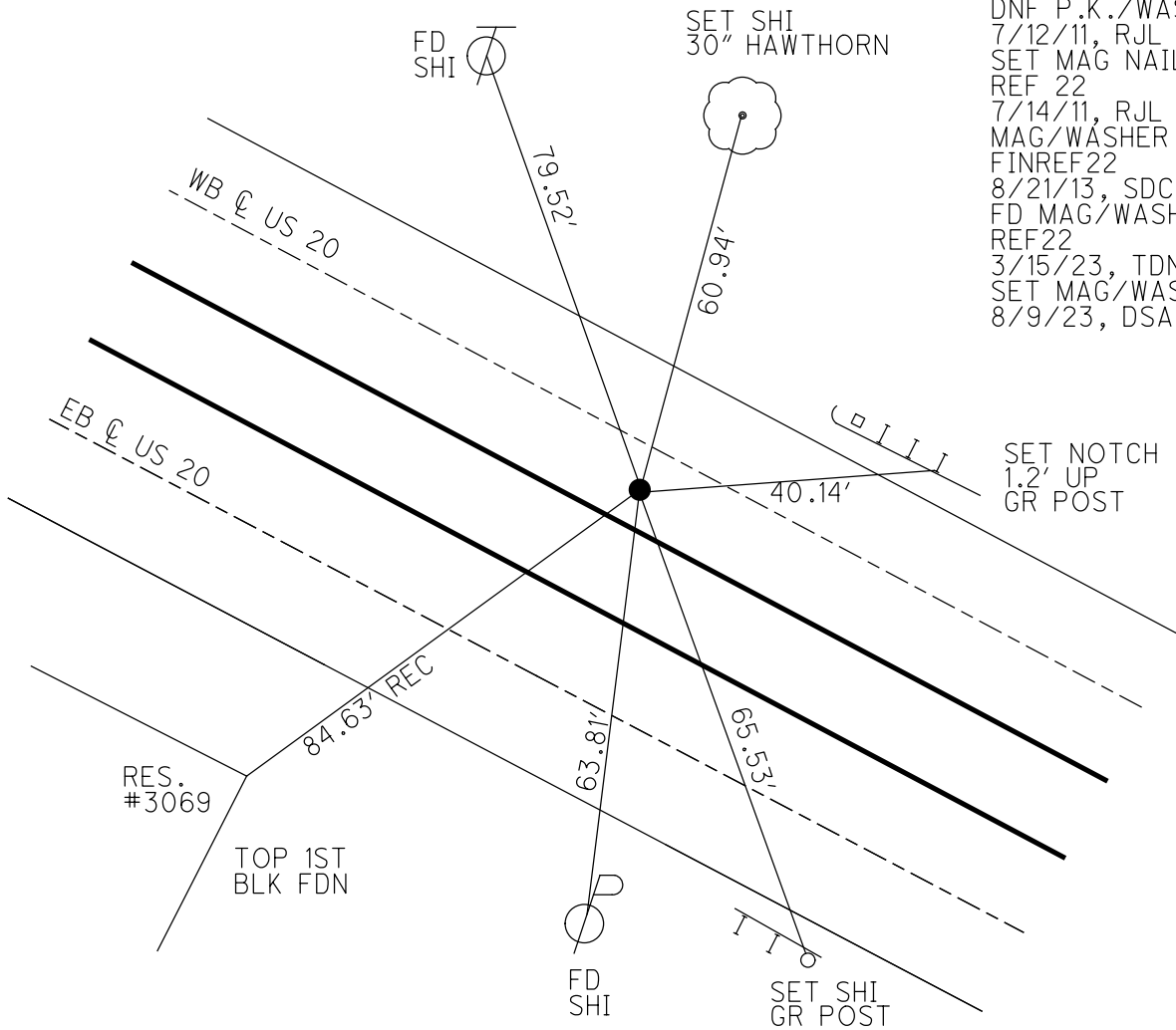
DWG BY RHOADES PID 110021 T 6 N R 14 E

TYPE MONUMENT MAG/WASHER
 ON SURFACE - ~~BELOW~~ ON
 OFFSET ☉ PAVEMENT 7.0' LT : ~~RT~~
5.0' TO S EDGE PAVEMENT
 STATION: 544+40

HORZ.DATUM: NAD83 2011 GEOID: NAVD88 2018
 GRID: NORTHING: 632574.874 EASTING: 1765297.966



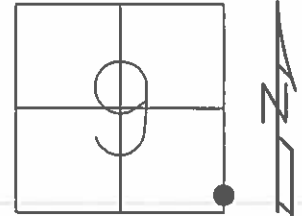
RECORD: P.I.
 STA.3+87.70
 DNF P.K./WASHER
 7/12/11, RJL
 SET MAG NAIL
 REF 22
 7/14/11, RJL
 MAG/WASHER
 FINREF22
 8/21/13, SDC
 FD MAG/WASHER
 REF22
 3/15/23, TDN
 SET MAG/WASHER
 8/9/23, DSA



O.D.O.T. DISTRICT 2 SURVEY OFFICE (USE ONLY)

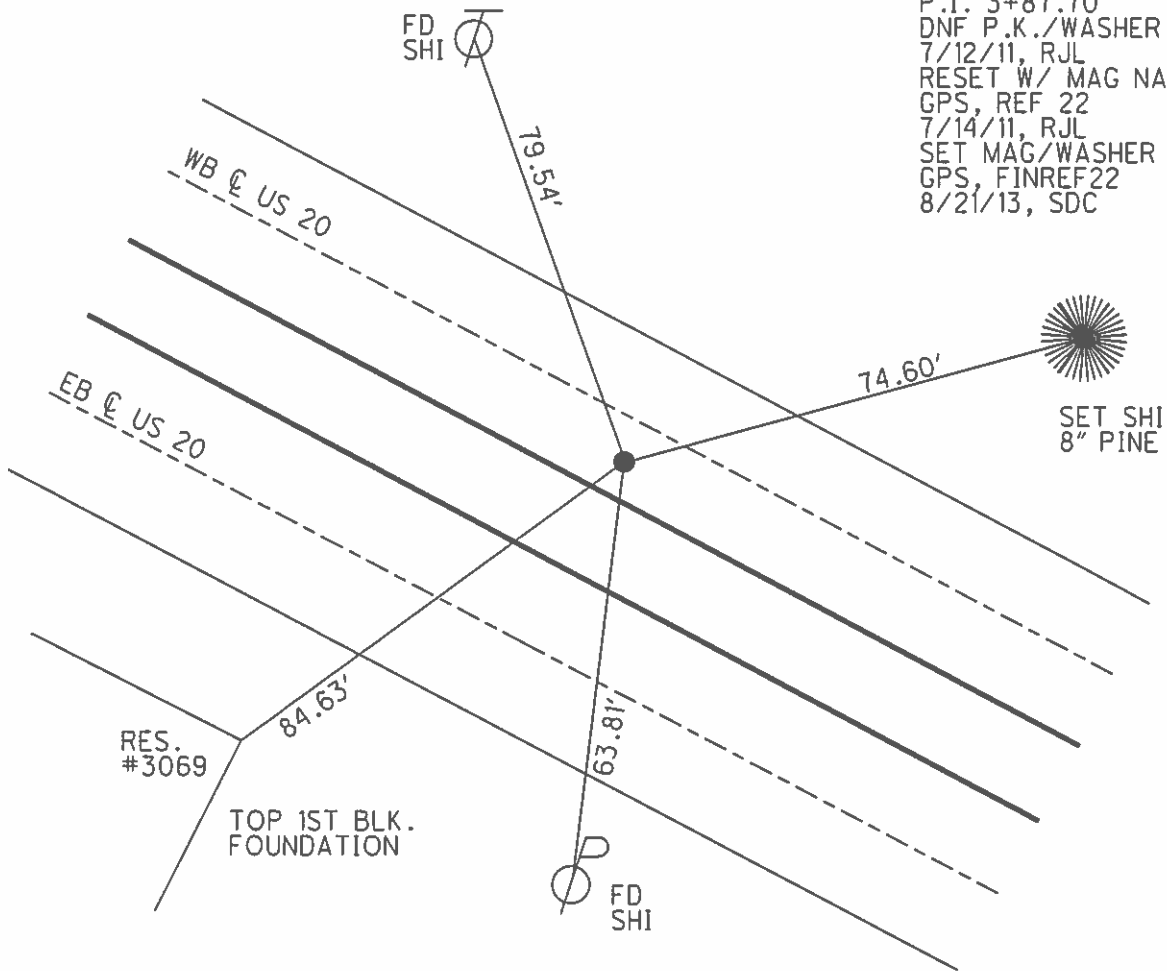
PERSONNEL _____ REFERENCE NO. 22 SHEET 25 OF 33
 NOTES CODER DATE 8/21/13 ROUTE US 20
 H.C. ROUSOS WEATHER CLEAR COUNTY SANDUSKY
 R.C. WESTFALL TEMP. 80° TOWNSHIP WASHINGTON
 _____ SECTION 9
 _____ T 5 N R 14 E

TYPE MONUMENT MAG/WASHER
 ON SURFACE - ~~BELOW~~ ON _____
 LEFT - ☉ PAV'T - ~~RIGHT~~ 7.0' (WB LANE)
5.0' TO S EDGE PAVEMENT
 S.L.M. 544+40



GRID: NORTHING: 633927.102 EASTING: 1762974.053

RECORD:
 P.I. 3+87.70
 DNF P.K./WASHER
 7/12/11, RJL
 RESET W/ MAG NAIL
 GPS, REF 22
 7/14/11, RJL
 SET MAG/WASHER
 GPS, FINREF22
 8/21/13, SDC



O.D.O.T. DISTRICT 2 SURVEY OFFICE

PERSONNEL

REFERENCE NO. 22

SHEET 25 OF 33

NOTES CODER _____

DATE 8/21/13

ROUTE US 20

H.C. ROUSOS

WEATHER CLEAR

COUNTY SANDUSKY

R.C. WESTFALL

TEMP. 80°

TOWNSHIP WASHINGTON

SECTION 9

T 5 N R 14 E

TYPE MONUMENT MAG/WASHER

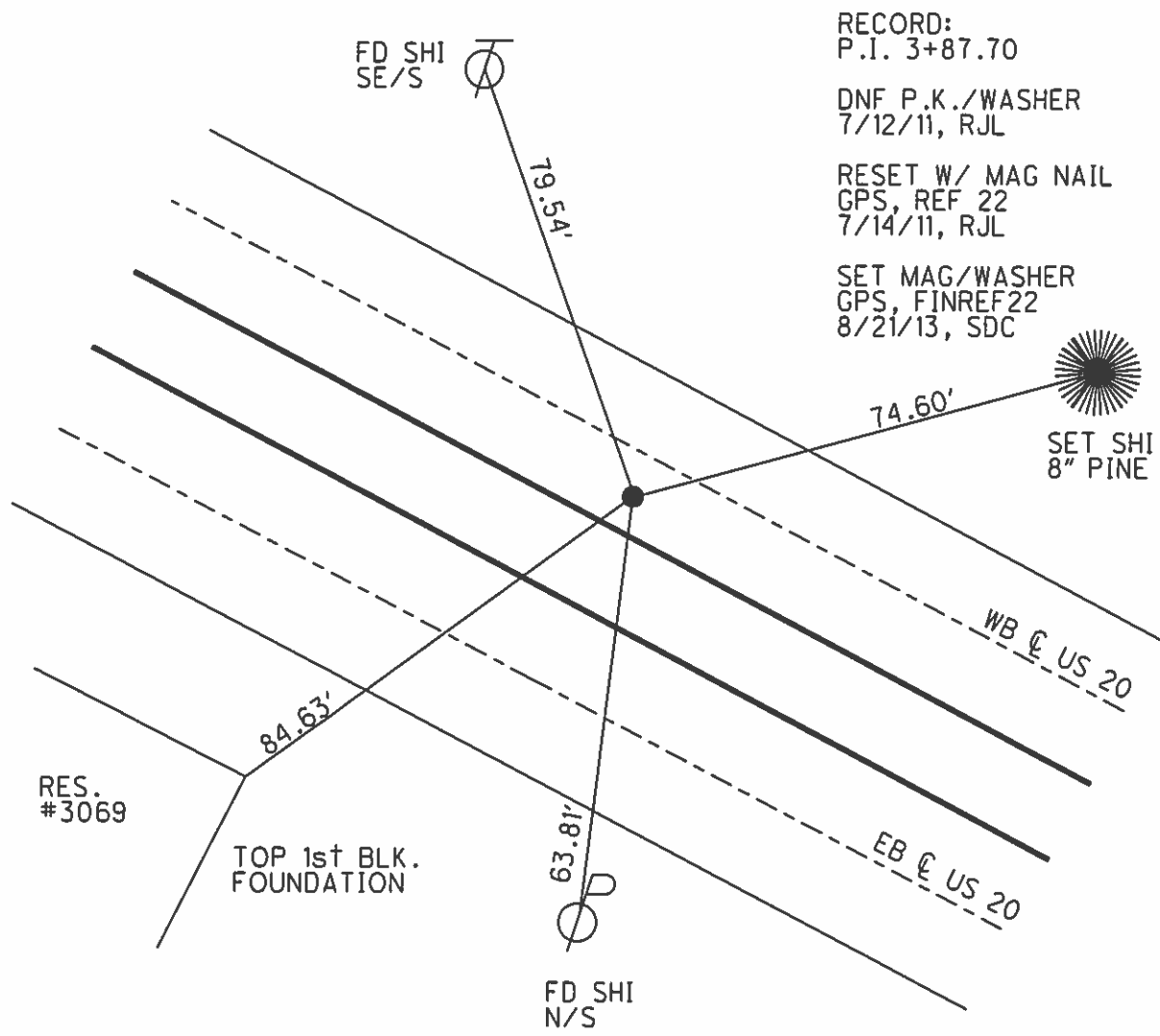
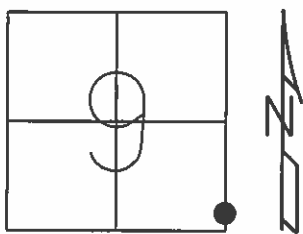
ON SURFACE - ~~BELOW~~ ON

LEFT - C PAV'T - ~~RIGHT~~ 7.0' (WB LANE)

5.0' TO S EDGE PAVEMENT

S.L.M. 544+40

Grid: Northing: 633927.102 Easting: 1762974.053



RECORD:
 P.I. 3+87.70
 DNF P.K./WASHER
 7/12/11, RJL
 RESET W/ MAG NAIL
 GPS, REF 22
 7/14/11, RJL
 SET MAG/WASHER
 GPS, FINREF22
 8/21/13, SDC

O.D.O.T. DISTRICT 2 SURVEY OFFICE

SHEET 11 OF

County Sandusky S.R. US#20

Date 7 April 83

Township Washington

Weather Cloudy

Section 9

Temp. 45°

T N, R E

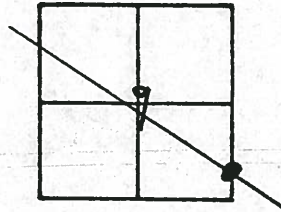
Personnel I. Stone

P. Neuser

D. Curtis

R. Michalak

22



544+40

REF. NO. 22

~~CHENEY
RIPPLE
BARBONE
GEYMAN
9-17-73
RESET PK W/WASHER
70°~~

4/01/91
40°

Shiner 10' 4th
wood guard post

R/W Mon.

P.I. 3+87.70

Fd. PK No. 1 to surface
5' 4.5' S. to S. edge put.
OK 8/8/83

61.14

76.82
76.93

65.60
53
TLE

63.91

Shiner NEW

84.59

Top 1st block (Fdn)

79.50

Shiner

Res.

O.D.O.T. DISTRICT 2 SURVEY OFFICE

SHEET 11 OF

County Sandusky S.R. US#20

Date 7 April 83

Township Washington

Weather Cloudy

Section 9

Temp. 45°

T_N, R_E

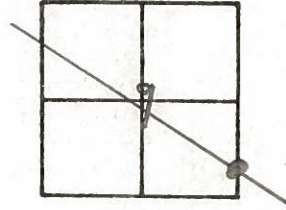
Personnel I. Stone

P. Neuser

D. Curtis

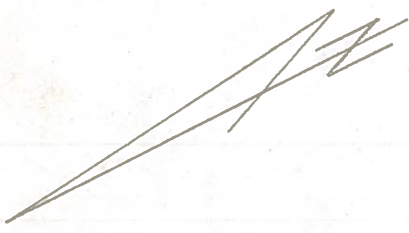
R. Michalak

22



544+40

REF. NO. 22



P.I. 3+87.70

Fd. PK Nail to surface

4.5' S. to S. edge put.

OK 8/8/83

R/W Mon.

61.14

79.50

Shiner

76.93

65.60

84.59

Shiner in 4x4 wood guard post

SHINER

Shiner

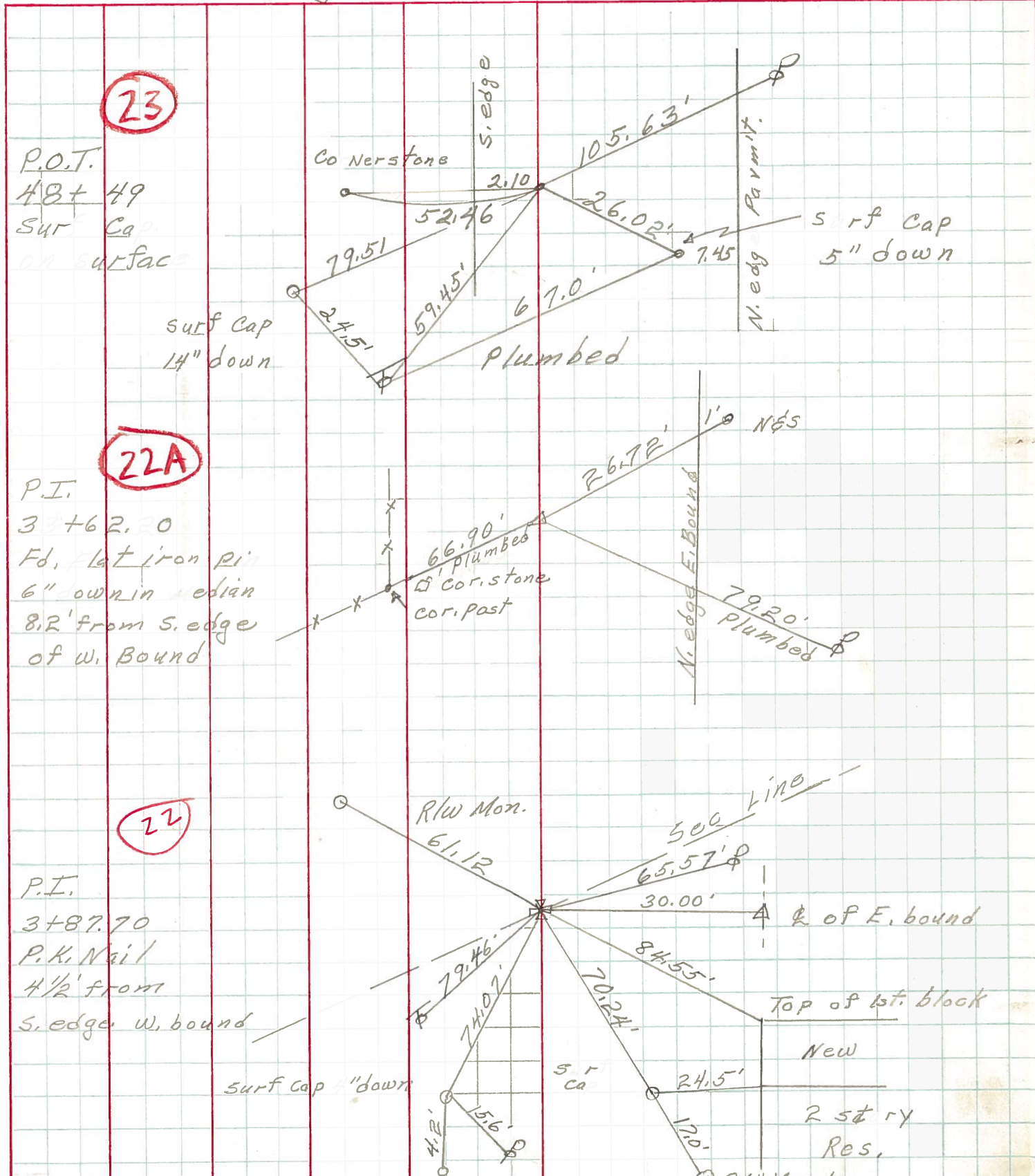
Top 1st block (Fd.)

Res.

PERSONNEL TITLE PERSONNEL TITLE
Schneider _____
Mosser _____
Barbour _____
Geyman _____

COUNTY Sandusky DATE 8-10-73
 S. R. U.S. # 20 WEATHER Hot
 SEC. 15 TEMP. 85°

DESCRIPTION Washington Twp. JOB NO. _____



23

P.O.T.
 48+49
 Surf Cap
 on surface

surf Cap
 14" down

22A

P.I.
 33+62.20
 Fd. lat iron pin
 6" down in median
 8.2' from S. edge
 of W. Bound

22

P.I.
 3+87.70
 P.K. Nail
 4 1/2' from
 S. edge W. bound

surf Cap "down"

Top of 1st. block
 New
 2 5ft ry
 Res.

PERSONNEL	TITLE	PERSONNEL	TITLE
Schneider			
Mosser			
Barbour			
Potts			

COUNTY Sandusky DATE Dec-1967
 S. R. U.S. #20 WEATHER _____
 SEC. S.R. #199 East TEMP. _____

DESCRIPTION Ties for control points JOB NO. _____

LEFT CENTER LINE RIGHT

