

O.D.O.T. DISTRICT 2 SURVEY OFFICE (USE ONLY)

PERSONNEL

REFERENCE NO. 23

SHEET 26 OF 32

NOTES RHOADES
 H.C. AUBLE
 R.C. NIESE
ASTON

DATE 8/9/23
 WEATHER SUNNY
 TEMP. 79°

ROUTE US 20
 COUNTY SANDUSKY
 TOWNSHIP WASHINGTON
 SECTION 15

DWG BY RHOADES PID 110021

T 5 N R 14 E

TYPE MONUMENT MAG/WASHER

ON SURFACE - ~~BELOW~~ ON

OFFSET ¢ PAVEMENT 1.9' LT : ~~RT~~

2.4' TO S EDGE OF BERM

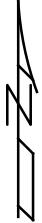
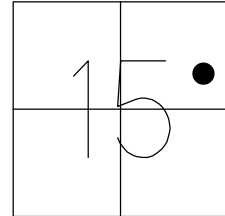
STATION: 589+04

HORIZ.DATUM: NAD83 2011

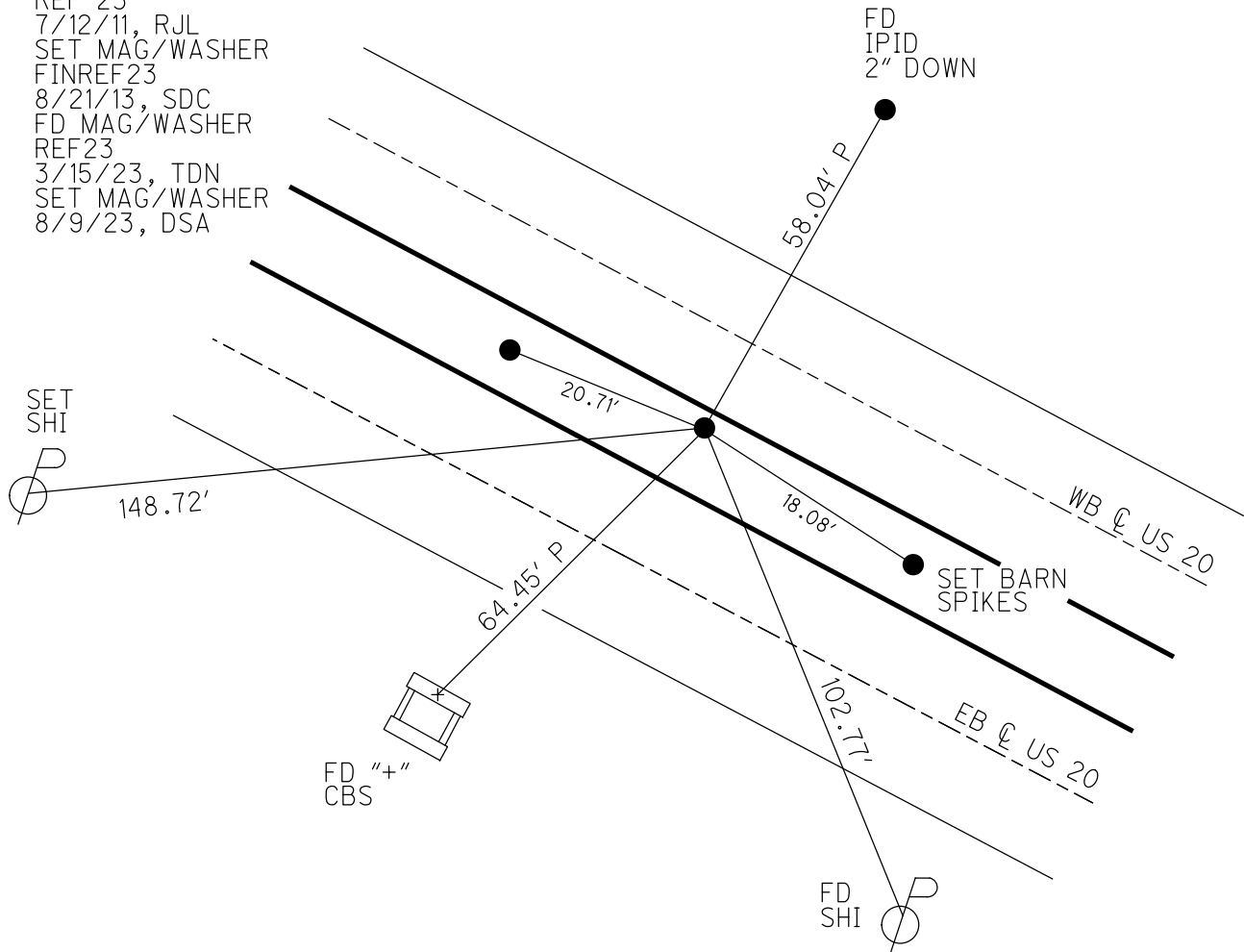
GEOID: NAVD88 2018

GRID: NORTHING: 630356.641

EASTING: 1769165.487



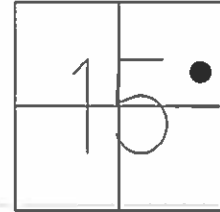
RECORD: P.O.T.
 STA. 48+49
 FD BOAT SPIKE
 REF 23
 7/12/11, RJL
 SET MAG/WASHER
 FINREF23
 8/21/13, SDC
 FD MAG/WASHER
 REF23
 3/15/23, TDN
 SET MAG/WASHER
 8/9/23, DSA



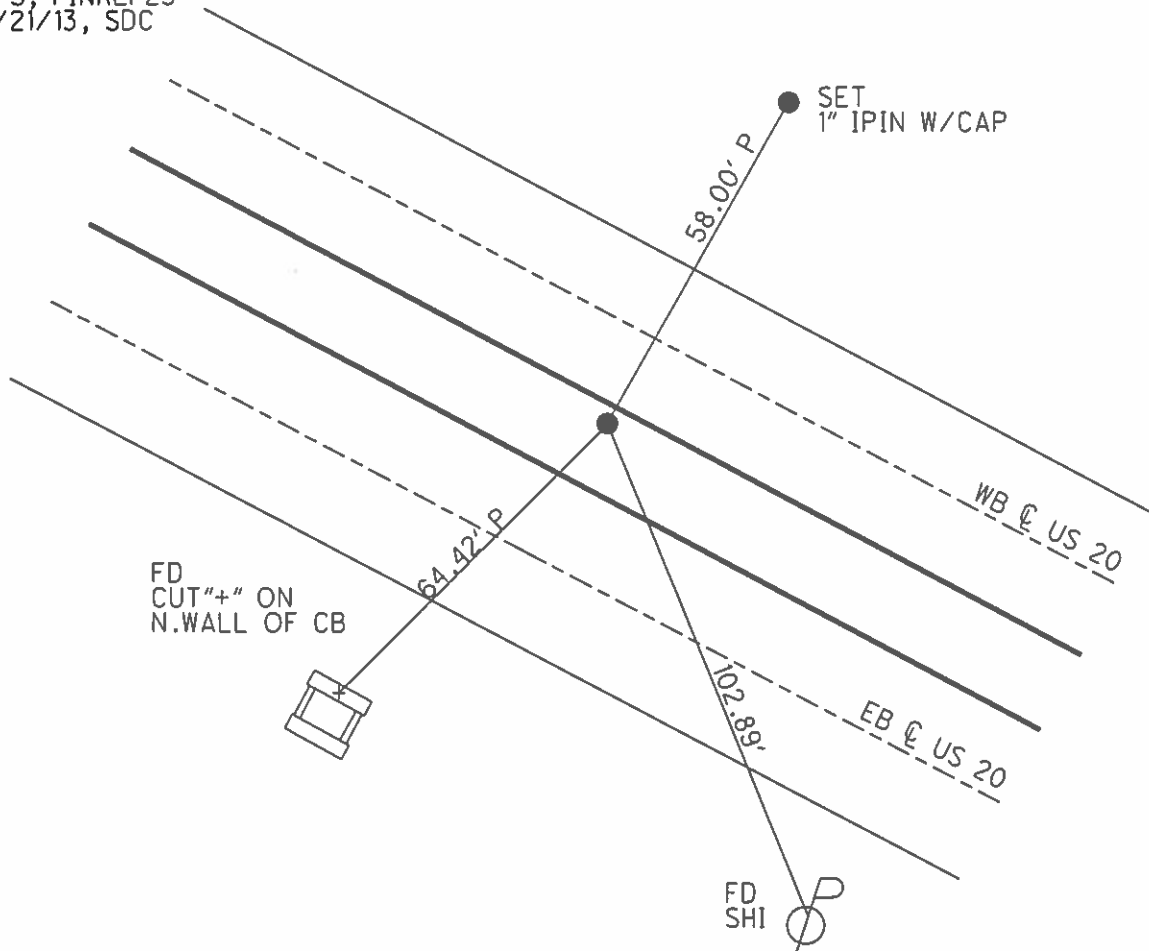
O.D.O.T. DISTRICT 2 SURVEY OFFICE (USE ONLY)

PERSONNEL _____ REFERENCE NO. 23 SHEET 27 OF 33
 NOTES CODER _____ DATE 8/21/13 ROUTE US 20
 H.C. ROUSOS _____ WEATHER CLEAR COUNTY SANDUSKY
 R.C. WESTFALL _____ TEMP. 80° TOWNSHIP WASHINGTON
 _____ SECTION 15
 _____ T 5 N R 14 E

TYPE MONUMENT MAG/WASHER
 ON SURFACE - ~~BELOW~~ ON _____
 LEFT - ☉ PAV'T - ~~RIGHT~~ 1.3' (WB EB)
2.4' TO S EDGE PAVEMENT
 S.L.M. 589+04
 GRID: NORTHING: 630356.646 EASTING: 1769165.423



RECORD:
 P.O.T. 48+49
 FD BOAT SPIKE
 GPS, REF 23
 7/12/11, RJL
 SET MAG/WASHER
 GPS, FINREF23
 8/21/13, SDC



O.D.O.T. DISTRICT 2 SURVEY OFFICE

PERSONNEL _____

REFERENCE NO. 23

SHEET 27 OF 33

NOTES CODER

DATE 8/21/13

ROUTE US 20

H.C. ROUSOS

WEATHER CLEAR

COUNTY SANDUSKY

R.C. WESTFALL

TEMP. 80°

TOWNSHIP WASHINGTON

SECTION 15

T. 5 N R. 14 E

TYPE MONUMENT MAG/WASHER

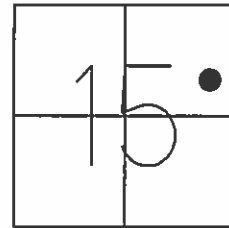
ON SURFACE - ~~BELOW~~ ON _____

LEFT - Q PAV'T - ~~RIGHT~~ 1.3' (WB EB)

2.4' TO S EDGE PAVEMENT

S.L.M. 589+04

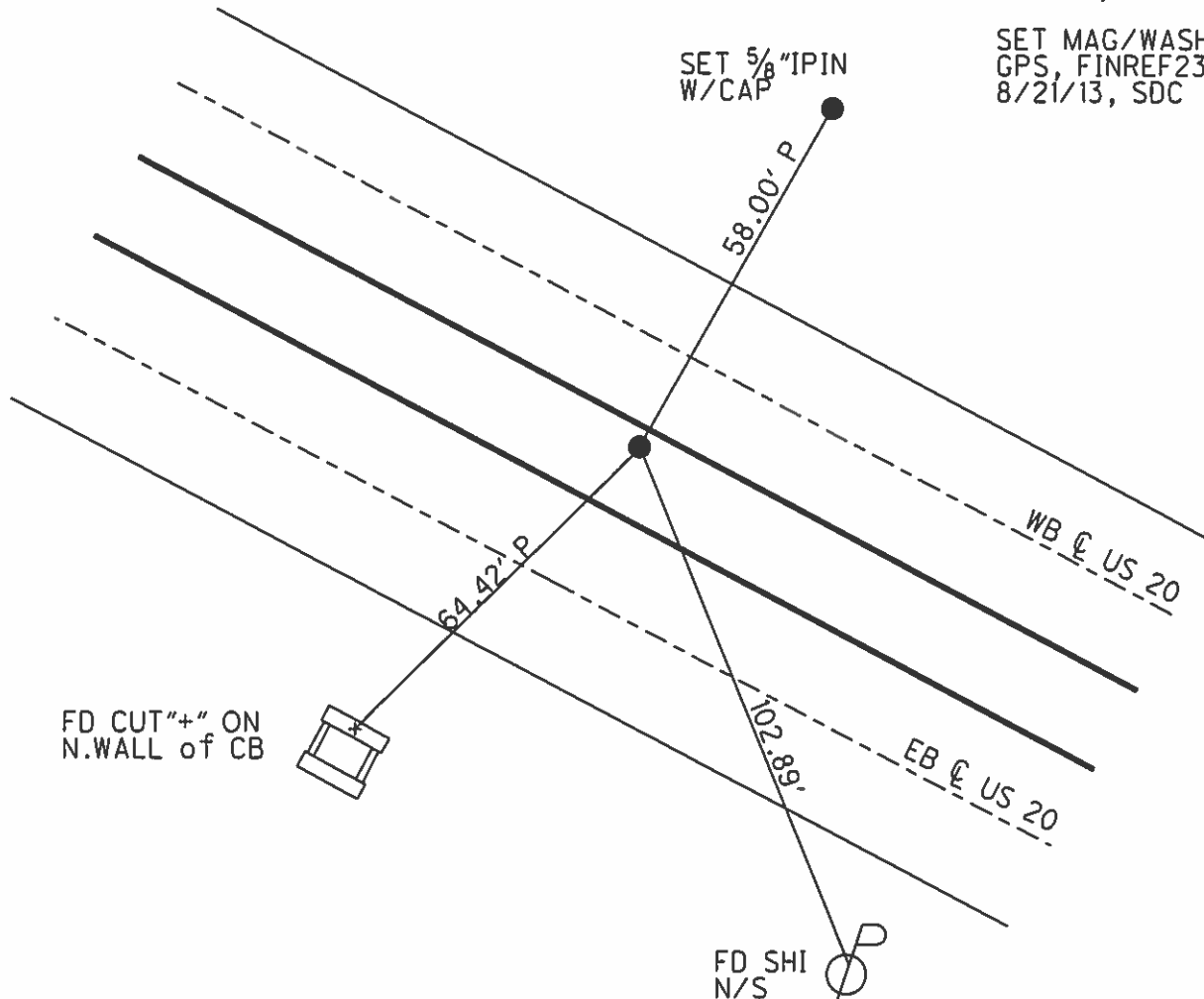
Grid: Northing: 630356.646 Easting: 1769165.423



RECORD:
P.O.T.48+49

FD BOAT SPIKE
GPS, REF 23
7/12/11, RJL

SET MAG/WASHER
GPS, FINREF23
8/21/13, SDC



County Sandusky S.R. US#20

Date 7 April 83

Township Washington

Weather Cloudy

Section 15

Temp. 45°

T N, R E

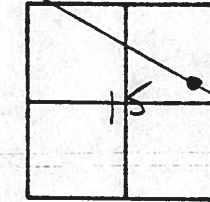
Personnel I. Stone

P. Neuser

R. Michalak

D. Curtis

23

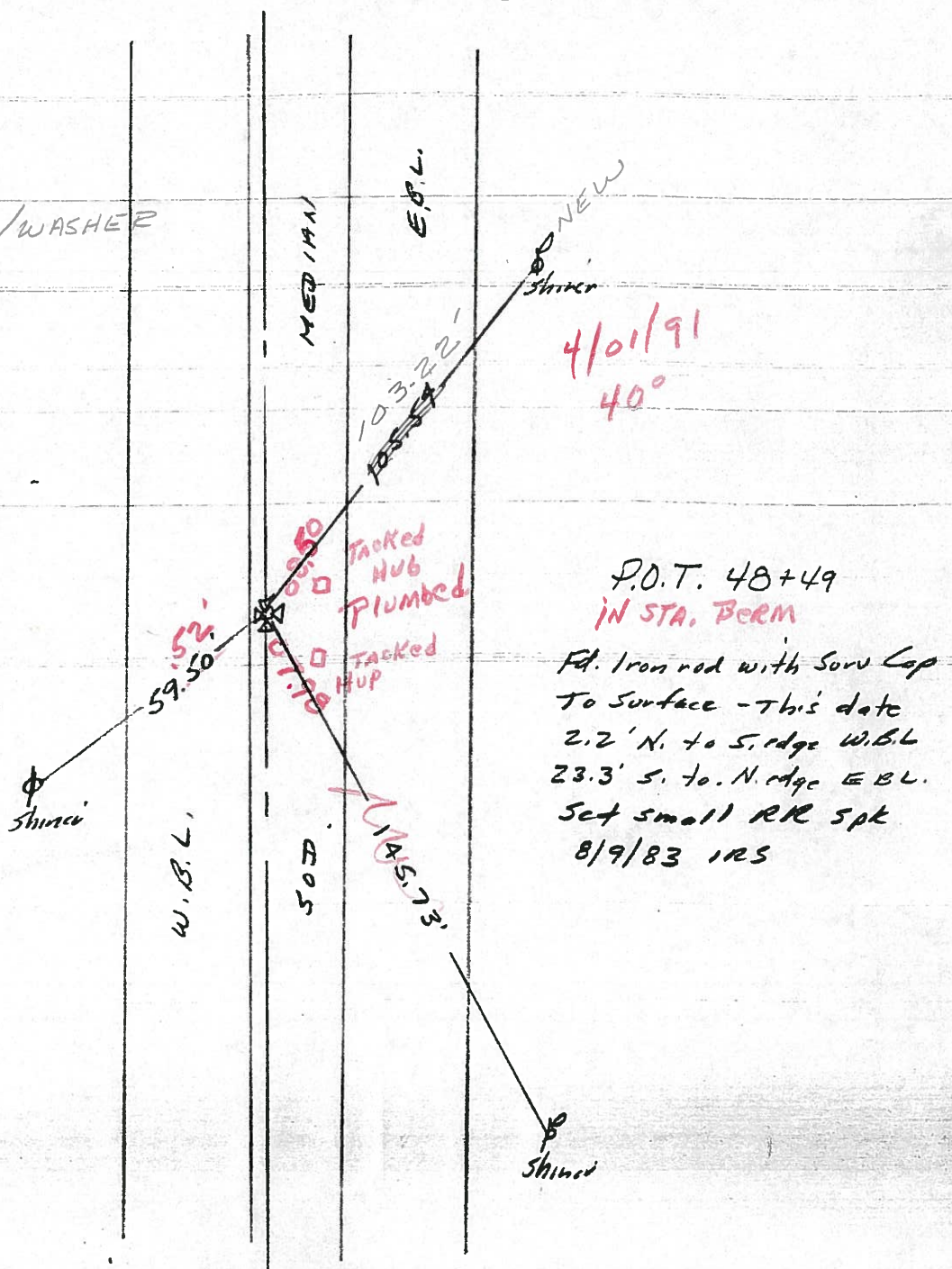


589+04

REF. NO. 23

~~CHENEY
RIPPLE
BARBOUR
GEYMAN~~

RE-SET PK W/WASHER
9-17-1991
756



O.D.O.T. DISTRICT 2 SURVEY OFFICE

SHEET 13 OF

County Sandusky S.R. US#20

Date 7 April 83

Township Washington

Weather Cloudy

Section 15

Temp. 45°

T_N, R_E

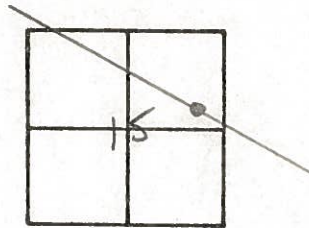
Personnel I. Stone

P. Neuser

R. Michalak

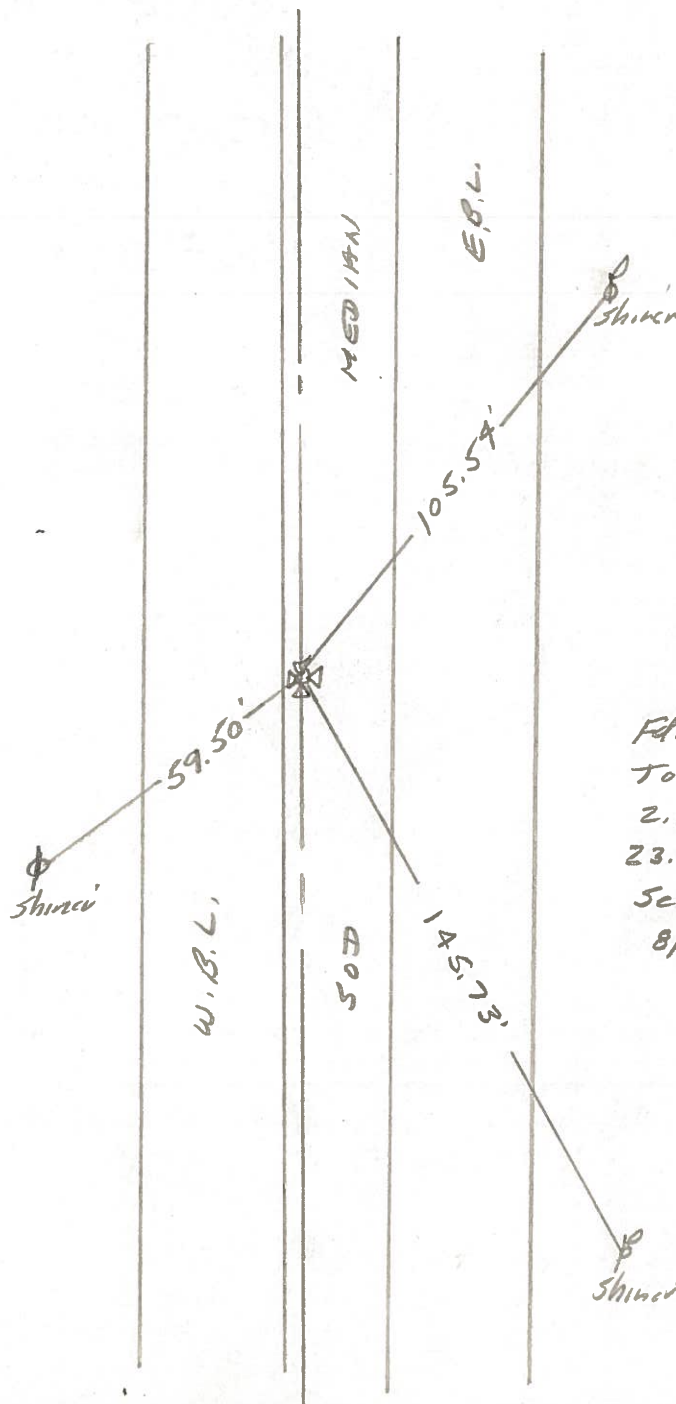
J. Curtis

23



589+04

REF. NO. 23



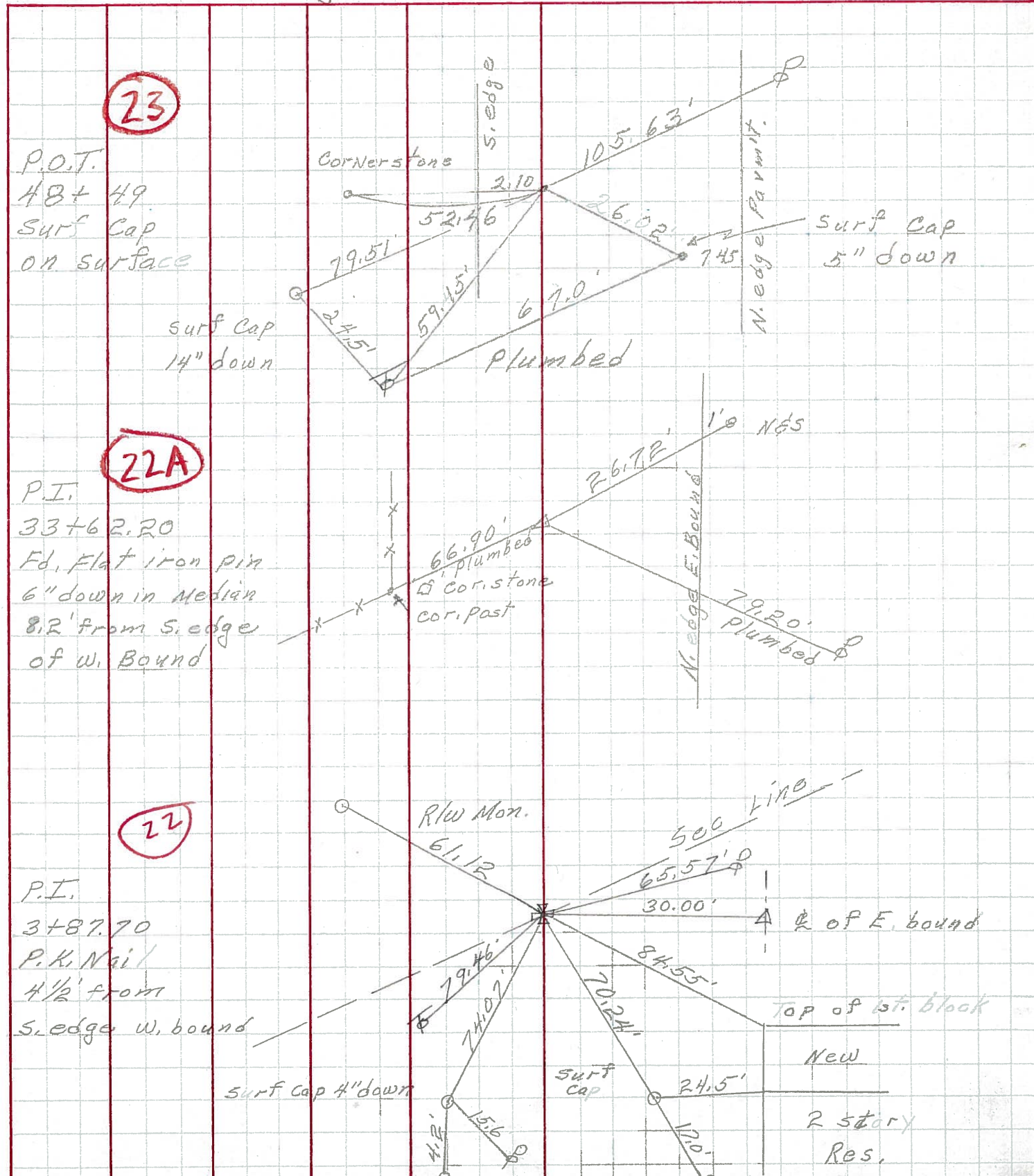
P.O.T. 48+49

Fd. Iron rod with Surv Cap
To Surface - This date
21.2' N. to S. edge W.B.L.
23.3' S. to N. edge E.B.L.
Set small RR spt
8/9/83 IRS

PERSONNEL TITLE PERSONNEL TITLE
Schneider _____
Mosser _____
Barbour _____
Geyman _____

COUNTY Sandusky DATE 8-10-73
 S. R. U.S. # 20 WEATHER Hot
 SEC. 15 TEMP. 85°

DESCRIPTION Washington Twp. JOB NO. _____



PERSONNEL TITLE PERSONNEL TITLE

MOSSER _____

COUNTY SANDUSKY DATE Dec-1967

BARBOUR _____

S. R. U.S. # 20

WEATHER _____

Redding _____

SEC. S.R. # 199 - East

TEMP. _____

Potts _____

DESCRIPTION TIES FOR CONTROL POINTS

JOB NO. _____

LEFT CENTER LINE RIGHT

