

O.D.O.T. DISTRICT 2 SURVEY OFFICE (USE ONLY)

PERSONNEL

REFERENCE NO. 25

SHEET 28 OF 32

NOTES RHOADES

DATE 8/9/23

ROUTE US 20

H.C. AUBLE

WEATHER SUNNY

COUNTY SANDUSKY

R.C. NIESE

TEMP. 79°

TOWNSHIP WASHINGTON

ASTON

SECTION 14

DWG BY RHOADES PID 110021

T 5 N R 14 E

TYPE MONUMENT IPID W/2 1/2" AL.DISK

~~ON SURFACE~~ - BELOW 5"

OFFSET CL PAVEMENT 0.9' LT : ~~RT~~

4.7' TO S EDGE OF BERM

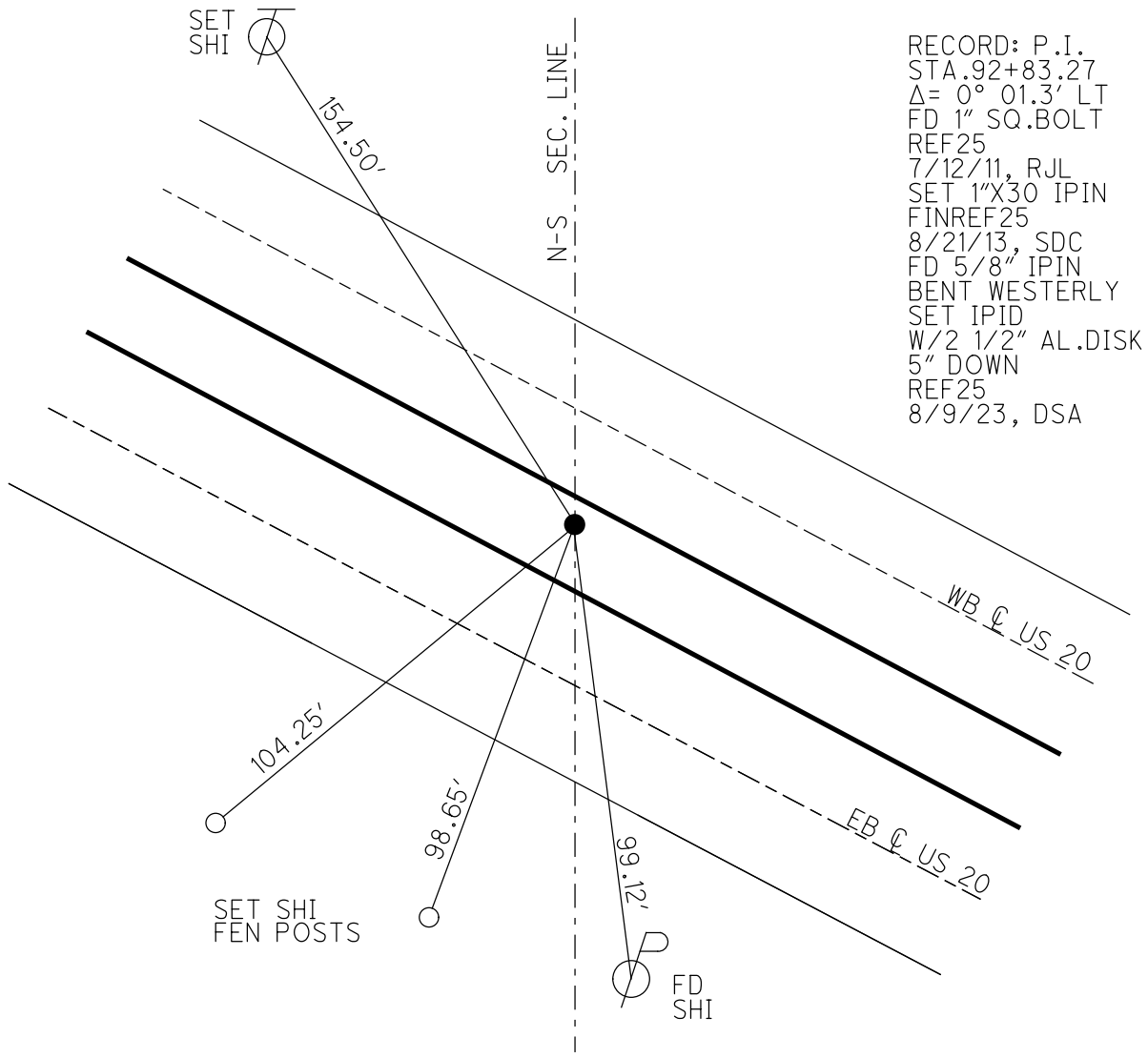
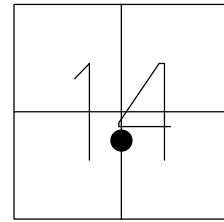
STATION: 633+37

HORZ.DATUM: NAD83 2011

GEOID: NAVD88 2018

GRID: NORTHING: 628168.896

EASTING: 1773021.829

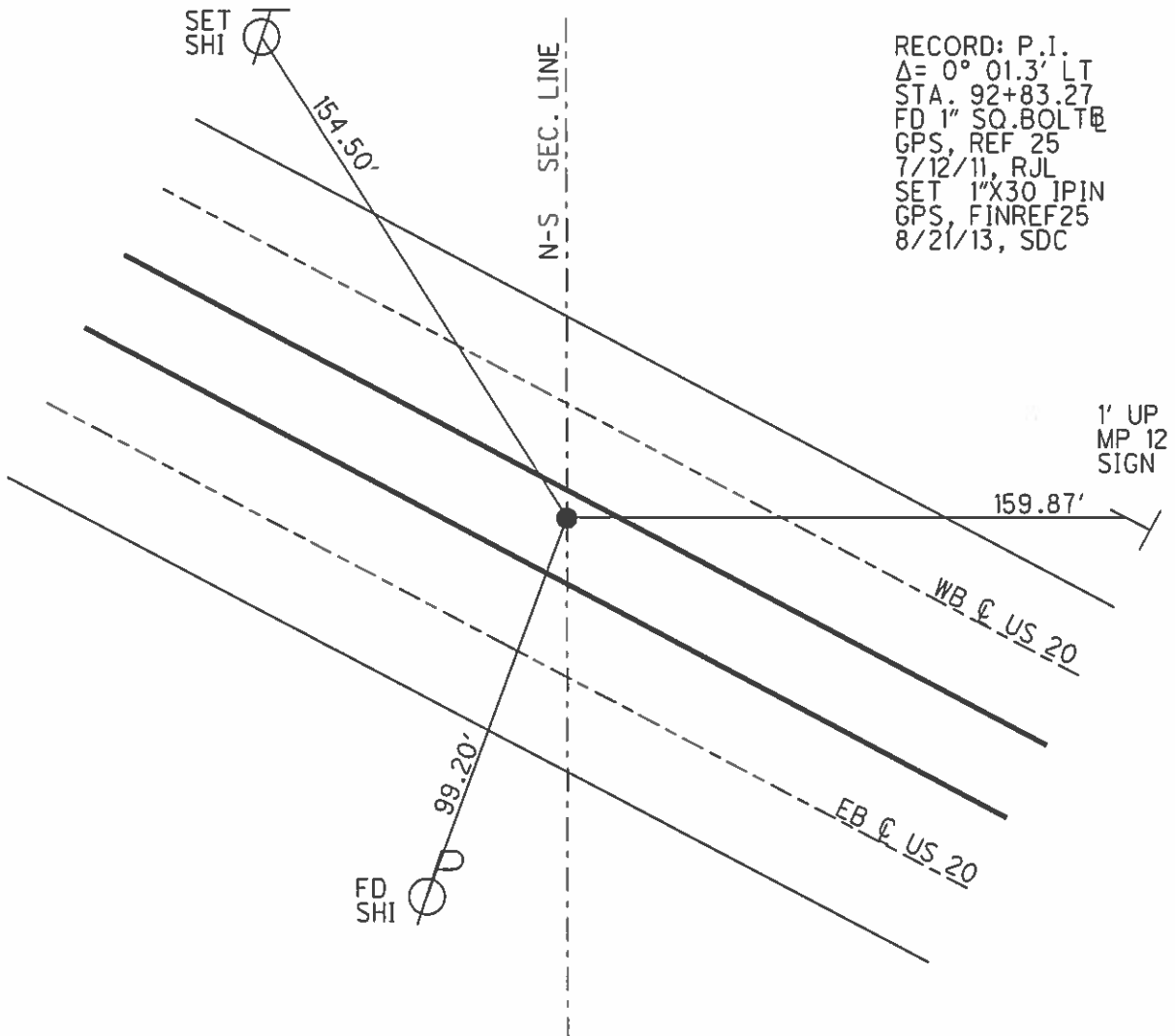
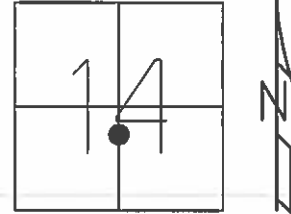


RECORD: P.I.
 STA.92+83.27
 $\Delta = 0^\circ 01.3' \text{ LT}$
 FD 1" SQ.BOLT
 REF25
 7/12/11, RJL
 SET 1"X30 IPIN
 FINREF25
 8/21/13, SDC
 FD 5/8" IPIN
 BENT WESTERLY
 SET IPID
 W/2 1/2" AL.DISK
 5" DOWN
 REF25
 8/9/23, DSA

O.D.O.T. DISTRICT 2 SURVEY OFFICE (USE ONLY)

PERSONNEL _____ REFERENCE NO. 25 SHEET 29 OF 33
 NOTES CODER _____ DATE 8/21/13 ROUTE US 20
 H.C. ROUSOS _____ WEATHER CLEAR COUNTY SANDUSKY
 R.C. WESTFALL _____ TEMP. 80° TOWNSHIP WASHINGTON
 _____ SECTION 14
 _____ T 5 N R 14 E

TYPE MONUMENT 1" IPIN
~~ON SURFACE~~ - BELOW 1.0'
 LEFT - CL PAV'T - ~~RIGHT~~ 0.9' S OF E.O.B. OF WB LANE
4.7' TO S EDGE PAVEMENT
 S.L.M. _____ 633+37
 GRID: NORTHING: 628168.945 EASTING: 1773021.750



RECORD: P.I.
 $\Delta = 0^\circ 01.3' \text{ LT}$
 STA. 92+83.27
 FD 1" SQ. BOLT @
 GPS, REF 25
 7/12/11, RJL
 SET 1" X 30 IPIN
 GPS, FINREF 25
 8/21/13, SDC

O.D.O.T. DISTRICT 2 SURVEY OFFICE

PERSONNEL

REFERENCE NO. 25

SHEET 29 OF 33

NOTES CODER _____

DATE 8/21/13

ROUTE US 20

H.C. ROUSOS

WEATHER CLEAR

COUNTY SANDUSKY

R.C. WESTFALL

TEMP. 80°

TOWNSHIP WASHINGTON

SECTION 14

T 5 N R 14 E

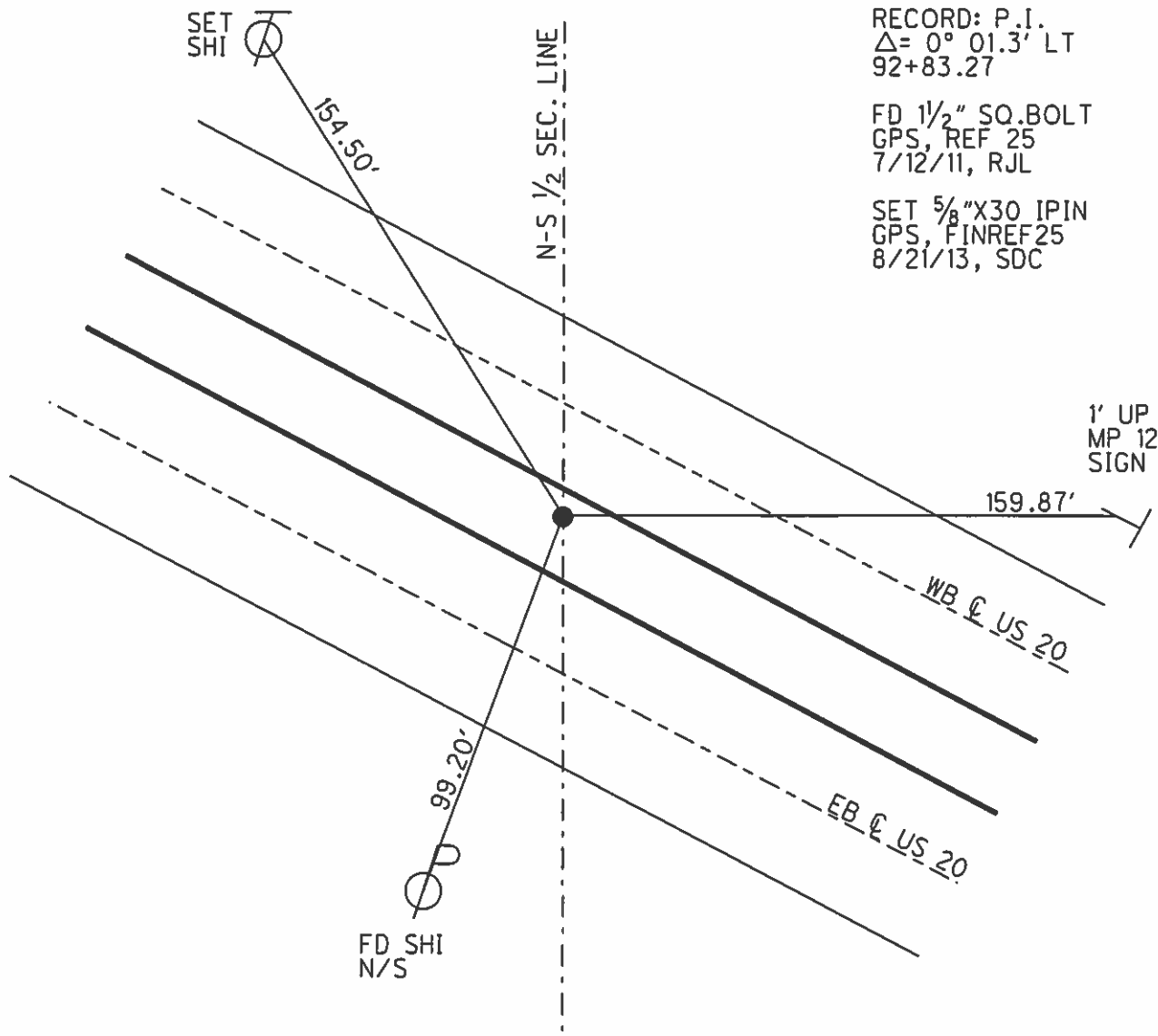
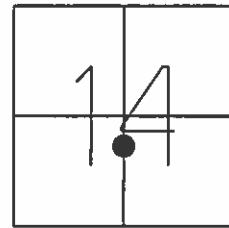
TYPE MONUMENT 5/8" IPIN

~~ON SURFACE~~ - BELOW 1.0'

LEFT - Q PAV'T - ~~RIGHT~~ 0.9' S.OF E.O.B. OF
4.7' TO S EDGE PAVEMENT WESTBOUND LANE

S.L.M. 633+37

Grid: Northing: 628168.945 Easting: 1773021.750



RECORD: P.I.
 $\Delta = 0^\circ 01.3' \text{ LT}$
 92+83.27

FD 1/2" SQ. BOLT
 GPS, REF 25
 7/12/11, RJL

SET 5/8" X30 IPIN
 GPS, FINREF25
 8/21/13, SDC

PERSONNEL TITLE PERSONNEL TITLE

COUNTY Sandusky DATE 8-13-73

S. R. 20 WEATHER Hot

SEC. 14 TEMP. 85°

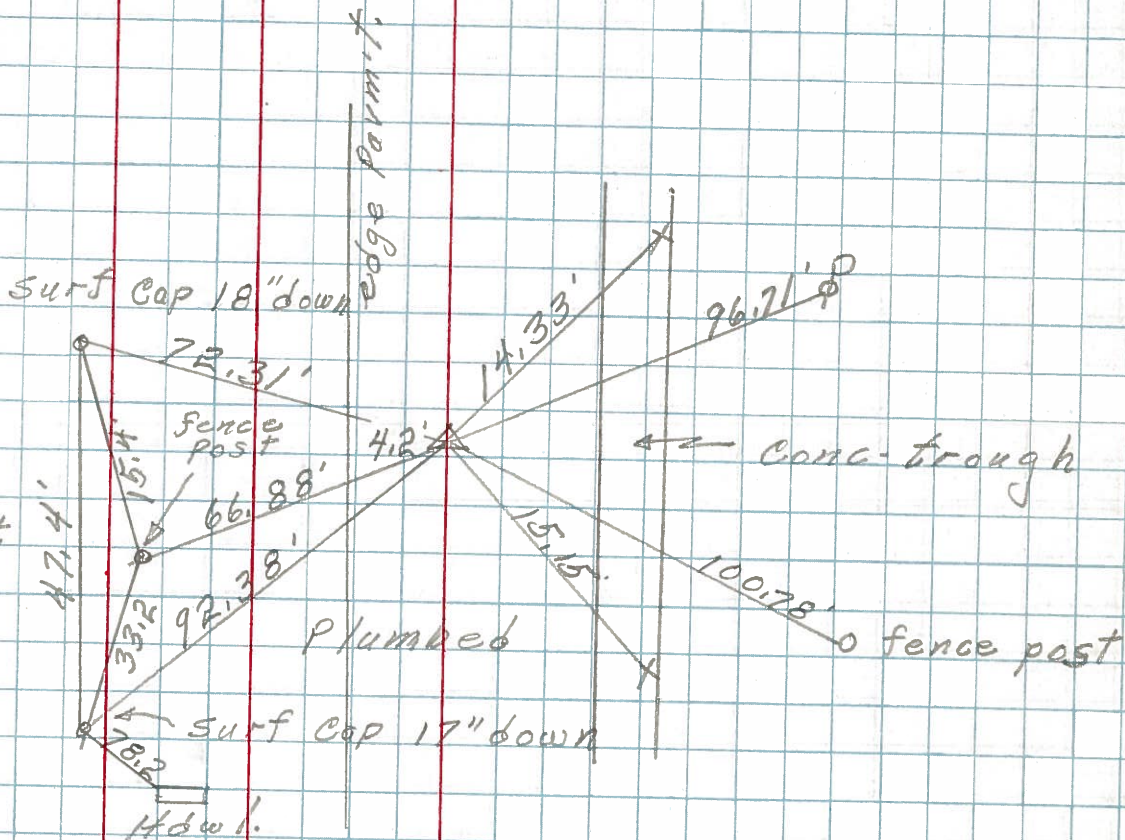
DESCRIPTION Washington Twp.

JOB NO.

LEFT CENTER LINE RIGHT

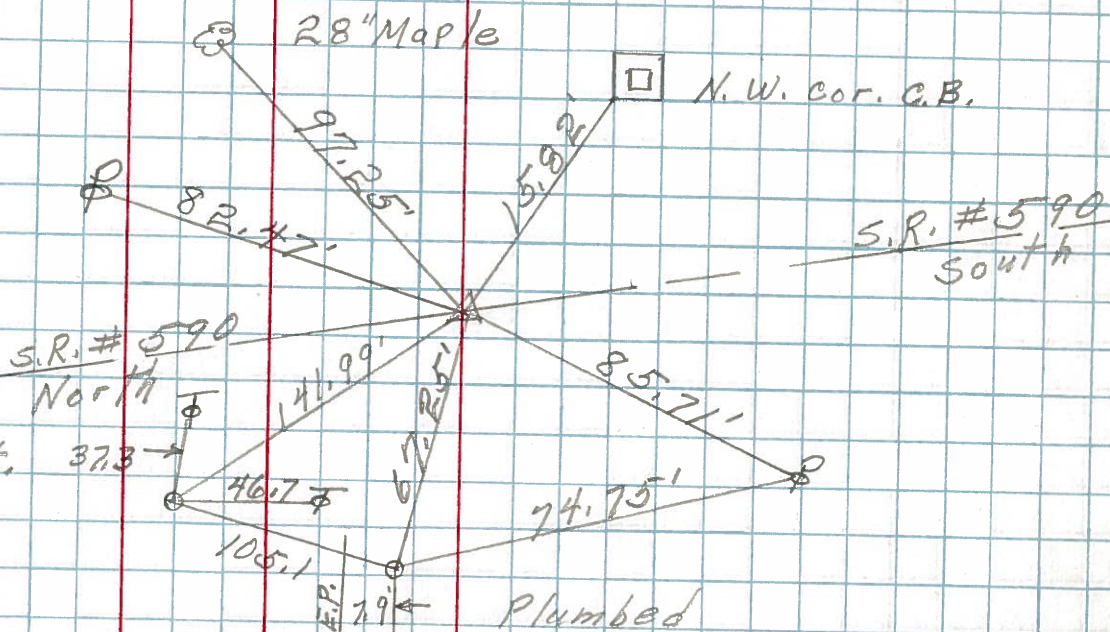
25

P.I.
92+83.27
Iron bolt
 $\Delta = 0^\circ 01.3' Lt.$



24

P.I.
63+14.35
R.R. spk.
on top
 $\Delta = 0^\circ 10.3' Lt.$



1946 Plan

PERSONNEL TITLE PERSONNEL TITLE

COUNTY SANDUSKY DATE DEC-1967

MOSSER

S. R. U.S. # 20

WEATHER _____

BARBOUR

Redding

SEC. S.R. # 199 - EAST

TEMP. _____

Potts

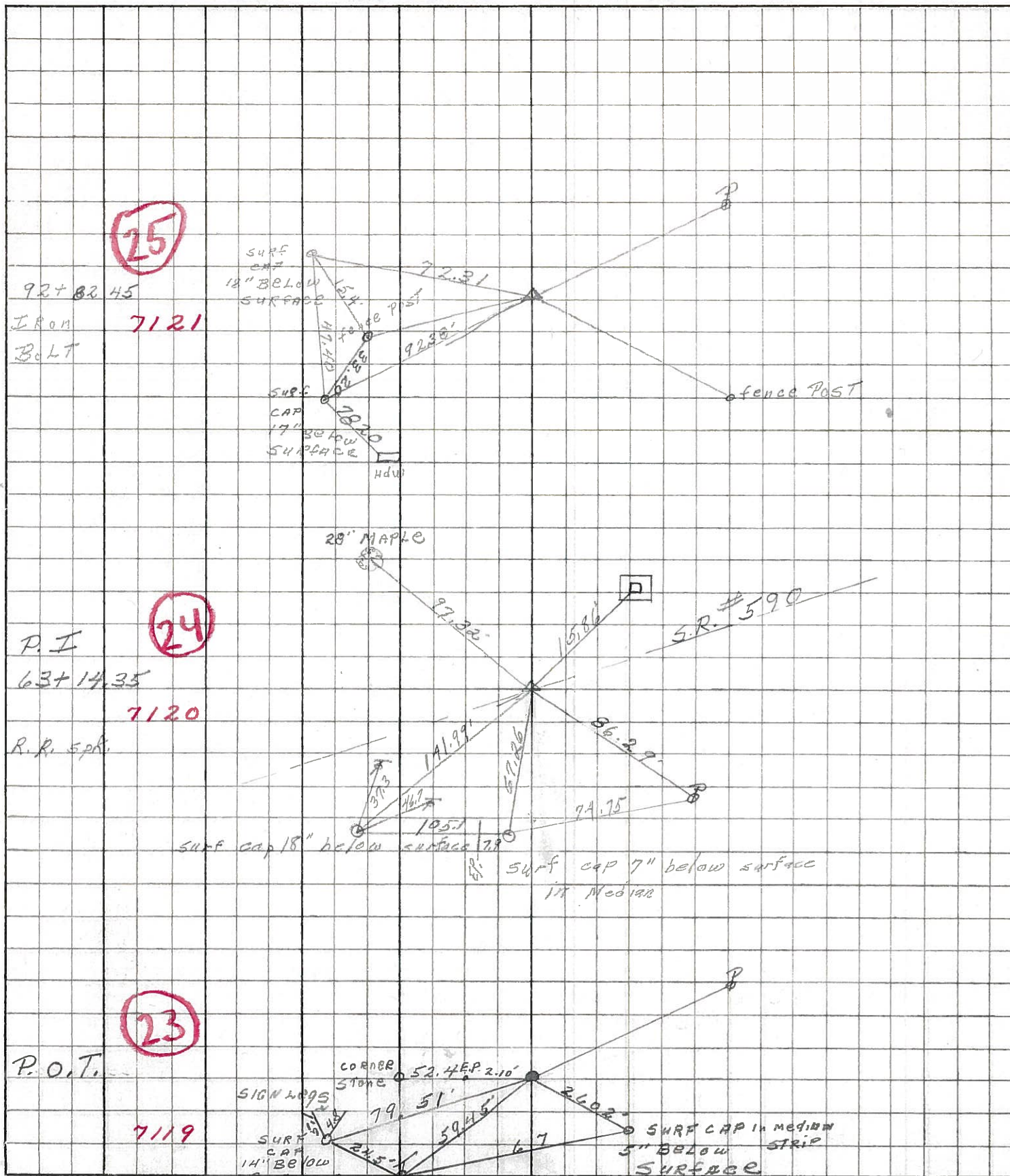
DESCRIPTION TIES FOR CONTROL POINTS

JOB NO. _____

LEFT

CENTER LINE

RIGHT



County Sandusky S.R. US#20

Date 7 April 83

Township Washing ton

Weather Cloudy

Section 14

Temp. 45°

T N, R E

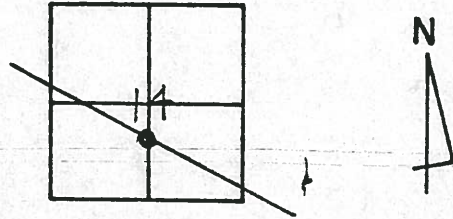
Personnel I. Stone

P. Neuser

R. Michalak

D. Curtis

(25)



633+37

REF. No. 25

CHEWY
RIPPLE
BARBOUR
GEYMAN

RE-REFERENCED
9-17-1991
75°
SUNNY

4/01/91
40°

L. SWARTZLANDER
4470 W. STATE - US#20
Sec. 14

P.I. 92+83.27 NAILED W/WHINER

$\Delta = 0^\circ - 01.3$ LT

Ed. 1 1/2" square bolt 10" deep

4.7' N. to S. edge W.B.L.

10.0' S. to N. edge E.B.L. Hub

OK 8/9/83 IRS

Stake Sta. 634+00

Shim in fence Post

NAILED W/WHINER

W.B.L.

STAKE

99.24' (P)

NEW POLE

90.6' (P)

81.87' (P)

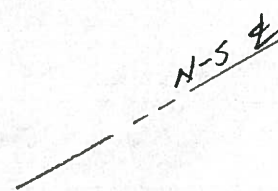
68.95' (P)

93.11' (P)

95.42' (P)

119.39' (P)

Shim 4" x 4" x 3" stump



County Sandusky S.R. US#20

Date 7 April 83

Township Washington

Weather Cloudy

Section 14

Temp. 45°

T N, R E

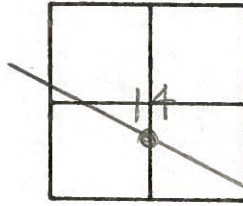
Personnel I. Stone

P. Neusev

R. Michalak

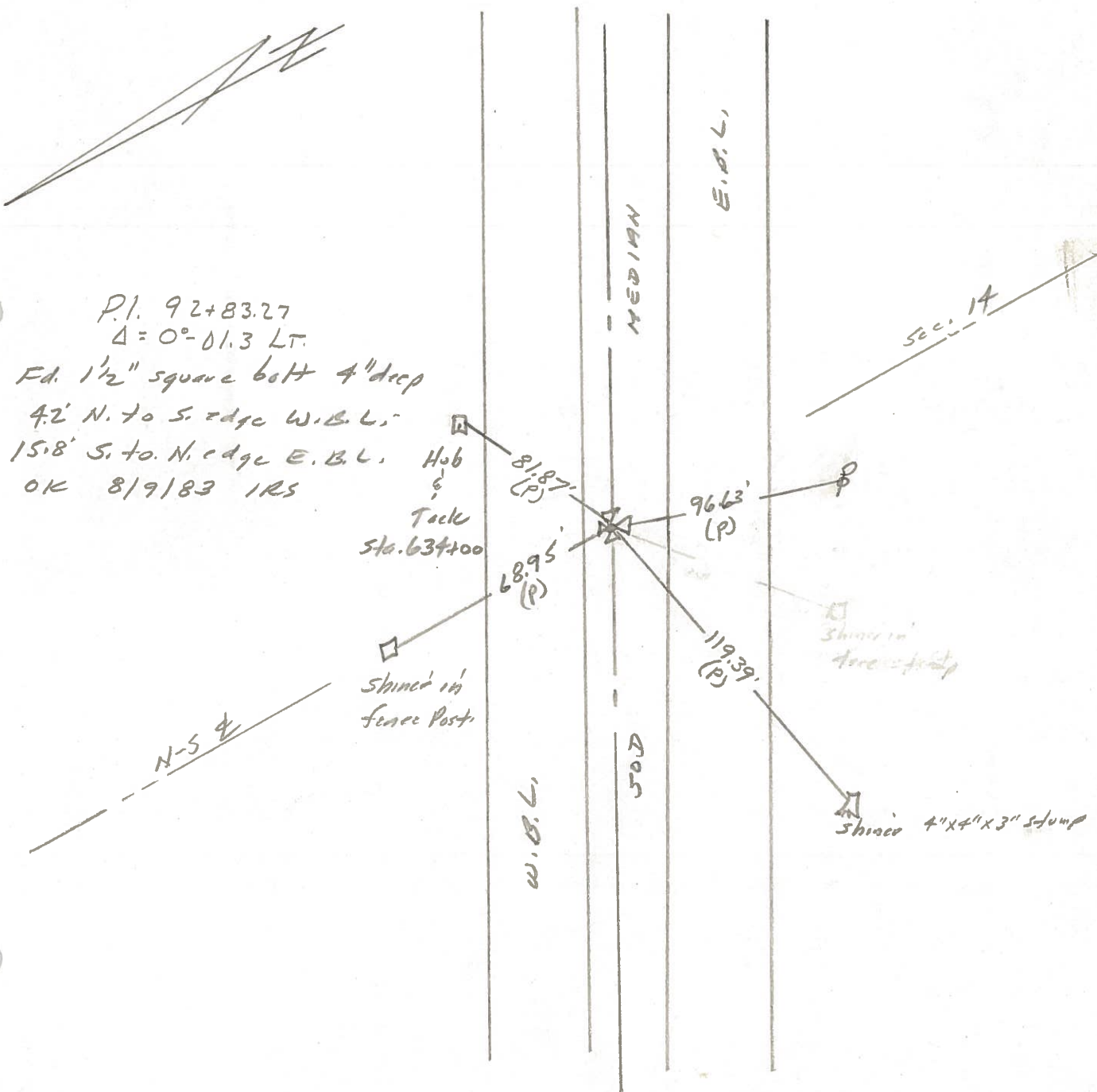
D. Curtis

25



633+37

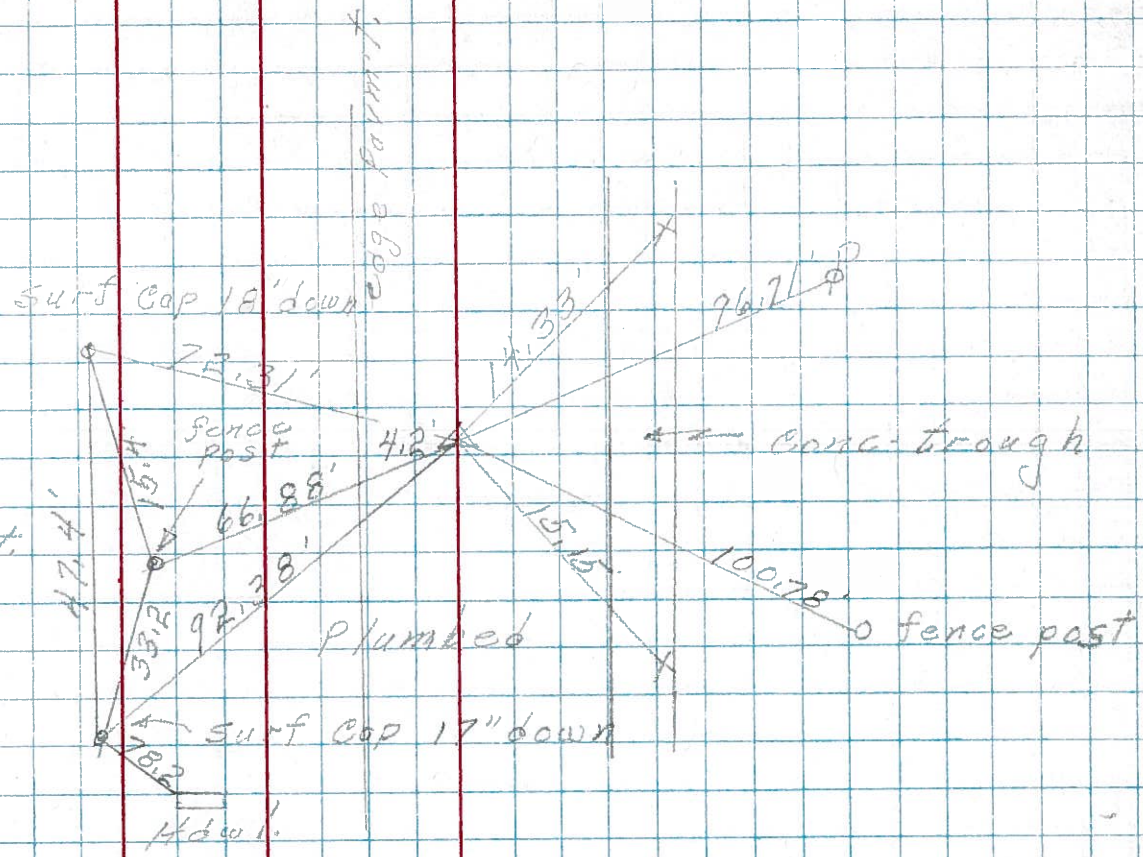
REF. No. 25



PERSONNEL	TITLE	PERSONNEL	TITLE
		COUNTY	<u>Sandusky</u>
		DATE	<u>8-13-73</u>
		S. R.	<u>20</u>
		WEATHER	<u>Hot</u>
		SEC.	<u>14</u>
		TEMP.	<u>85°</u>
DESCRIPTION	<u>Washington Twp.</u>		
	LEFT	CENTER LINE	RIGHT
	JOB NO.		

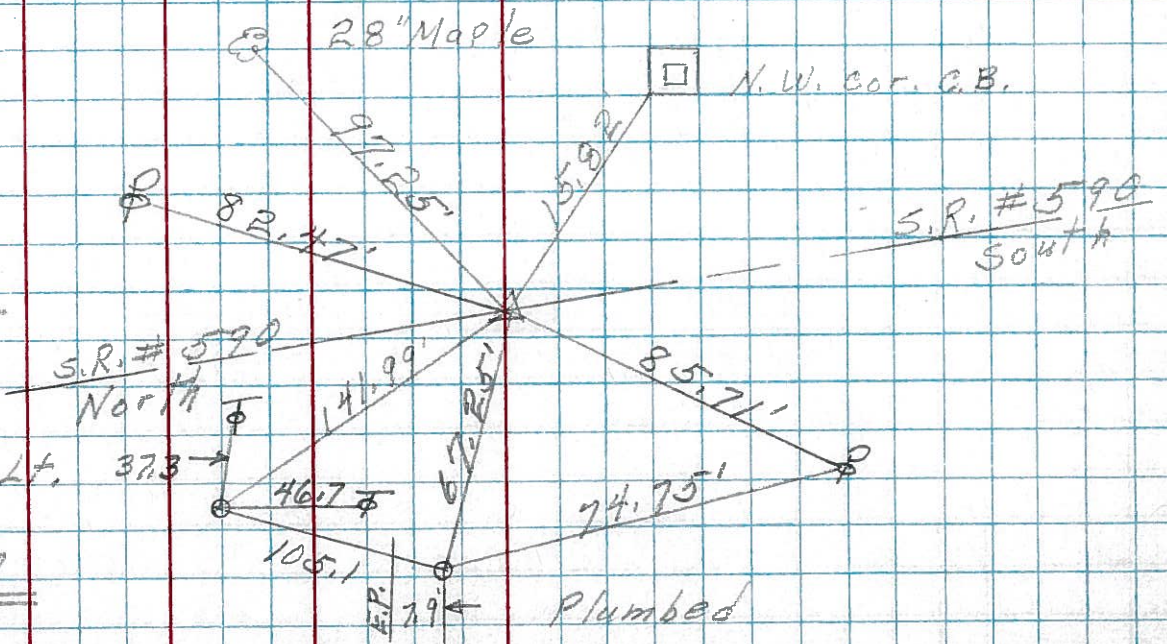
23

P.I.
 92+8 3.27
 Iron bolt
 $\Delta = 0^\circ 01.3' Lt.$



24

P.I.
 63+14.35
 R.R. spk.
 on top
 $\Delta = 0^\circ 10.3' Lt.$



1946 Plan

PERSONNEL	TITLE	PERSONNEL	TITLE
MOSSER			
BARBOUR			
Redding			
PATTS			

COUNTY SANDUSKY DATE DEC-1967
 S. R. U.S. # 20 WEATHER _____
 SEC. S.R.# 199 - East TEMP. _____

DESCRIPTION Ties for CONTROL POINTS LEFT CENTER LINE RIGHT JOB NO. _____

