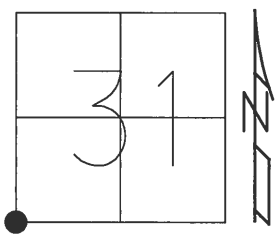


O.D.O.T. DISTRICT 2 SURVEY OFFICE (USE ONLY)

PERSONNEL _____ REFERENCE NO. 1 SHEET 1 OF 51

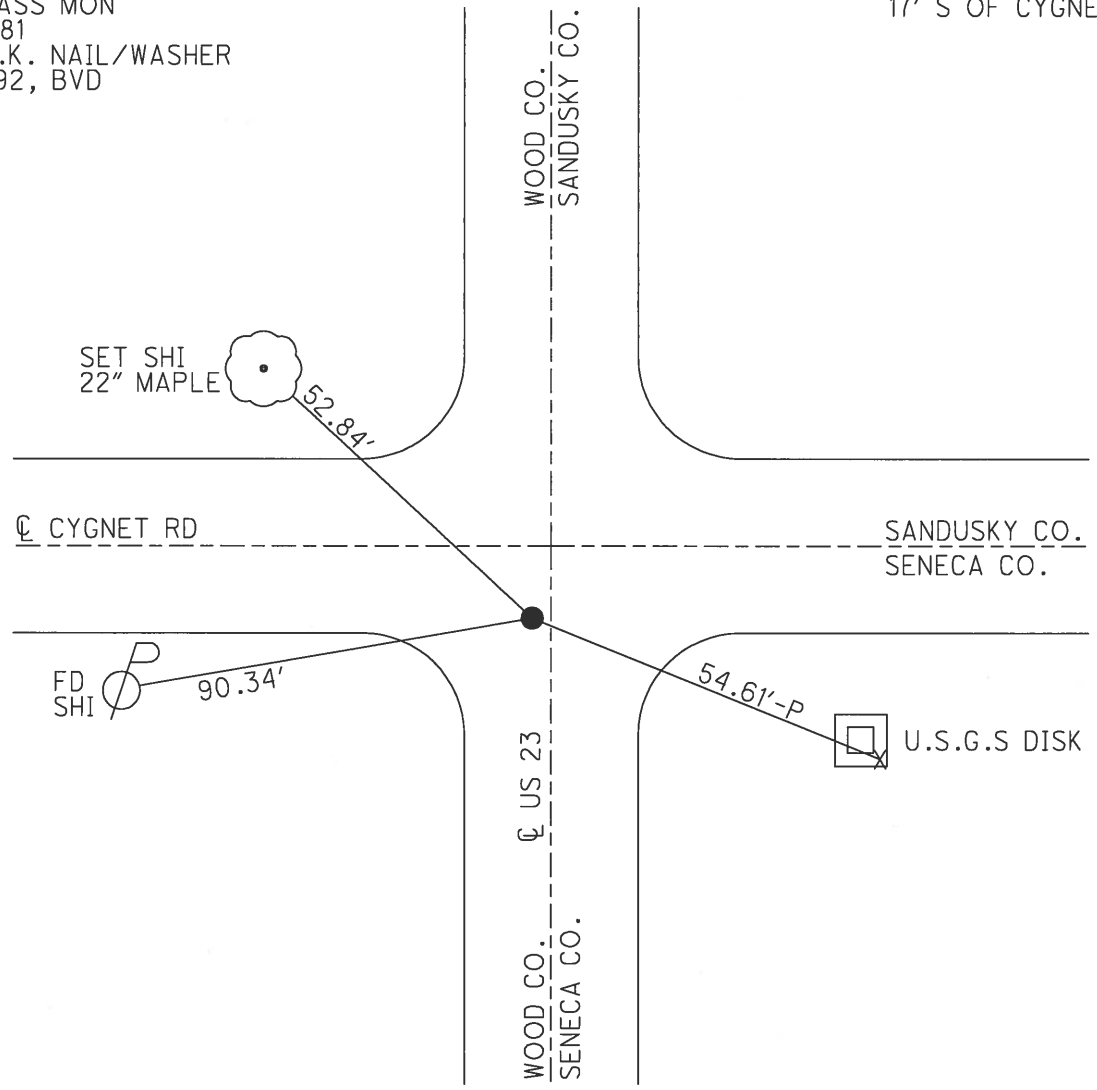
NOTES	<u>BARNHISEL</u>	DATE	<u>8/12/91</u>	ROUTE	<u>US 23</u>
H.C.	<u>VAN DUSEN</u>	WEATHER	<u>SUNNY</u>	COUNTY	<u>SANDUSKY</u>
R.C.	<u>KUSZ</u>	TEMP.	<u>83°</u>	TOWNSHIP	<u>SCOTT</u>
				SECTION	<u>31</u>
				T <u>4</u> N	R <u>13</u> E

TYPE MONUMENT P.K. NAIL/WASHER
 ON SURFACE - ~~BELOW~~ ON
 LEFT - ☉ PAV'T - ~~RIGHT~~ 0.5'
- TO - EDGE PAVEMENT
 S.L.M. 0+00
 Grid: Northing: - Easting: -



RECORD:
 FD BRASS MON
 7/29/81
 SET P.K. NAIL/WASHER
 4/16/92, BVD

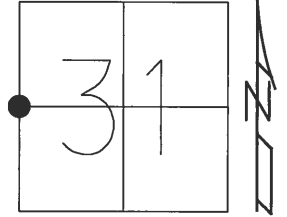
NOTE:
 17' S OF CYGNET RD ☉



O.D.O.T. DISTRICT 2 SURVEY OFFICE (USE ONLY)

PERSONNEL _____ REFERENCE NO. 2 SHEET 2 OF 51
 NOTES BARNHESEL DATE 8/12/91 ROUTE US 23
 H.C. VAN DUSEN WEATHER SUNNY COUNTY SANDUSKY
 R.C. _____ TEMP. 83° TOWNSHIP SCOTT
 _____ SECTION 31
 _____ T 4 N R 13 E

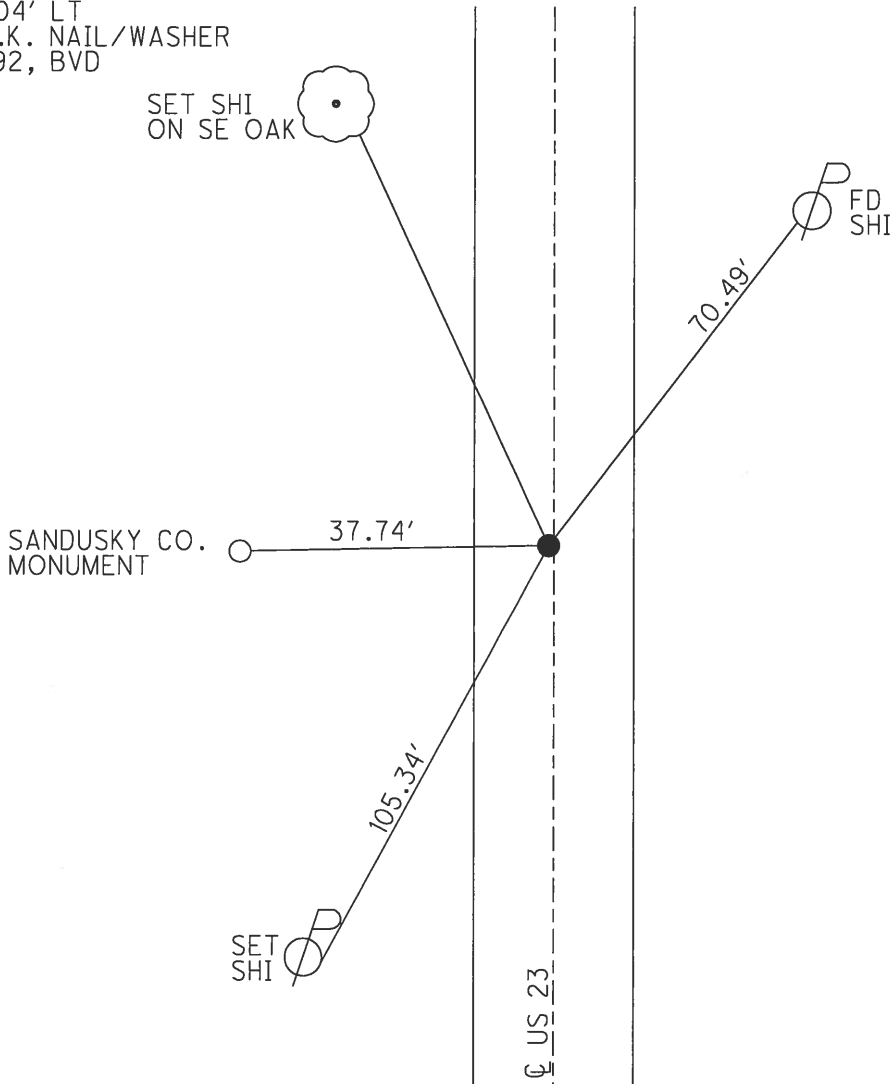
TYPE MONUMENT P.K. NAIL/WASHER
 ON SURFACE - ~~BELOW~~ ON
 LEFT - ☉ PAV'T - ~~RIGHT~~ 0.5'
12.6' TO LT EDGE PAVEMENT
 S.L.M. 26+34



Grid: Northing: _____ Easting: _____

RECORD:

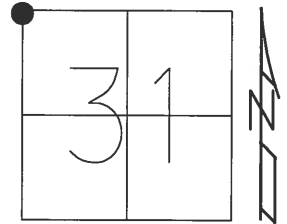
$\Delta = 0^{\circ}04'$ LT
 SET P.K. NAIL/WASHER
 4/16/92, BVD



O.D.O.T. DISTRICT 2 SURVEY OFFICE (USE ONLY)

PERSONNEL _____ REFERENCE NO. 3 SHEET 3 OF 51
 NOTES BARNHISEL DATE 8/12/91 ROUTE US 23
 H.C. VAN DUSEN WEATHER SUNNY COUNTY SANDUSKY
 R.C. _____ TEMP. 83° TOWNSHIP SCOTT
 _____ SECTION 31
 _____ T 4 N R 13 E

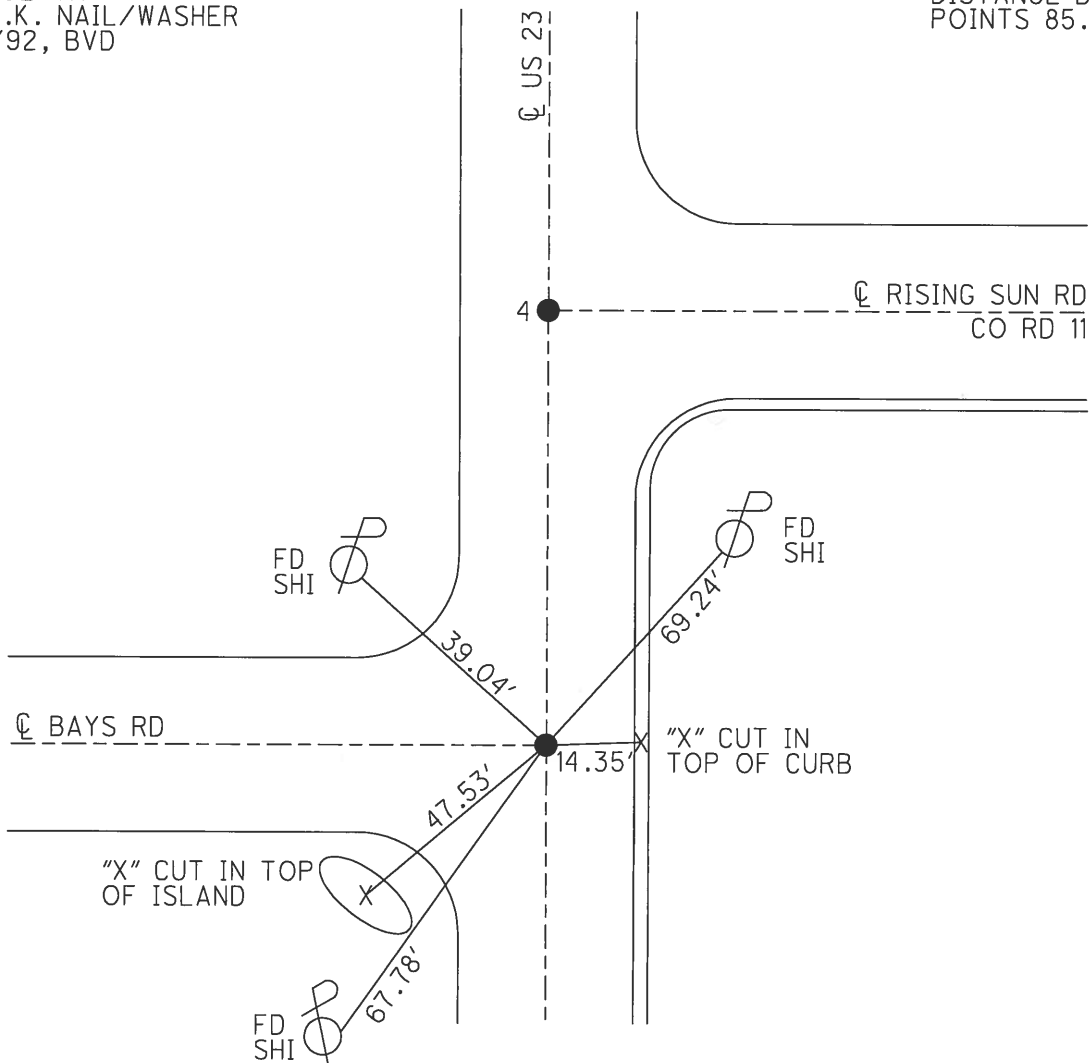
TYPE MONUMENT _____ P.K. NAIL/WASHER
 ON SURFACE - ~~BELOW~~ ON _____
 LEFT - ☉ PAV'T - RIGHT ON _____
 _____ TO _____ EDGE PAVEMENT
 S.L.M. _____ 53+08



Grid: Northing: _____ Easting: _____

RECORD:
 $\Delta = 0^{\circ}02'$ RT
 SET P.K. NAIL/WASHER
 4/27/92, BVD

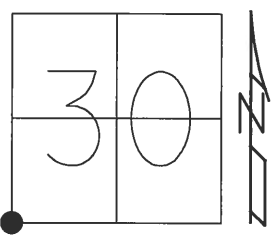
NOTE:
 DISTANCE BETWEEN
 POINTS 85.82'



O.D.O.T. DISTRICT 2 SURVEY OFFICE (USE ONLY)

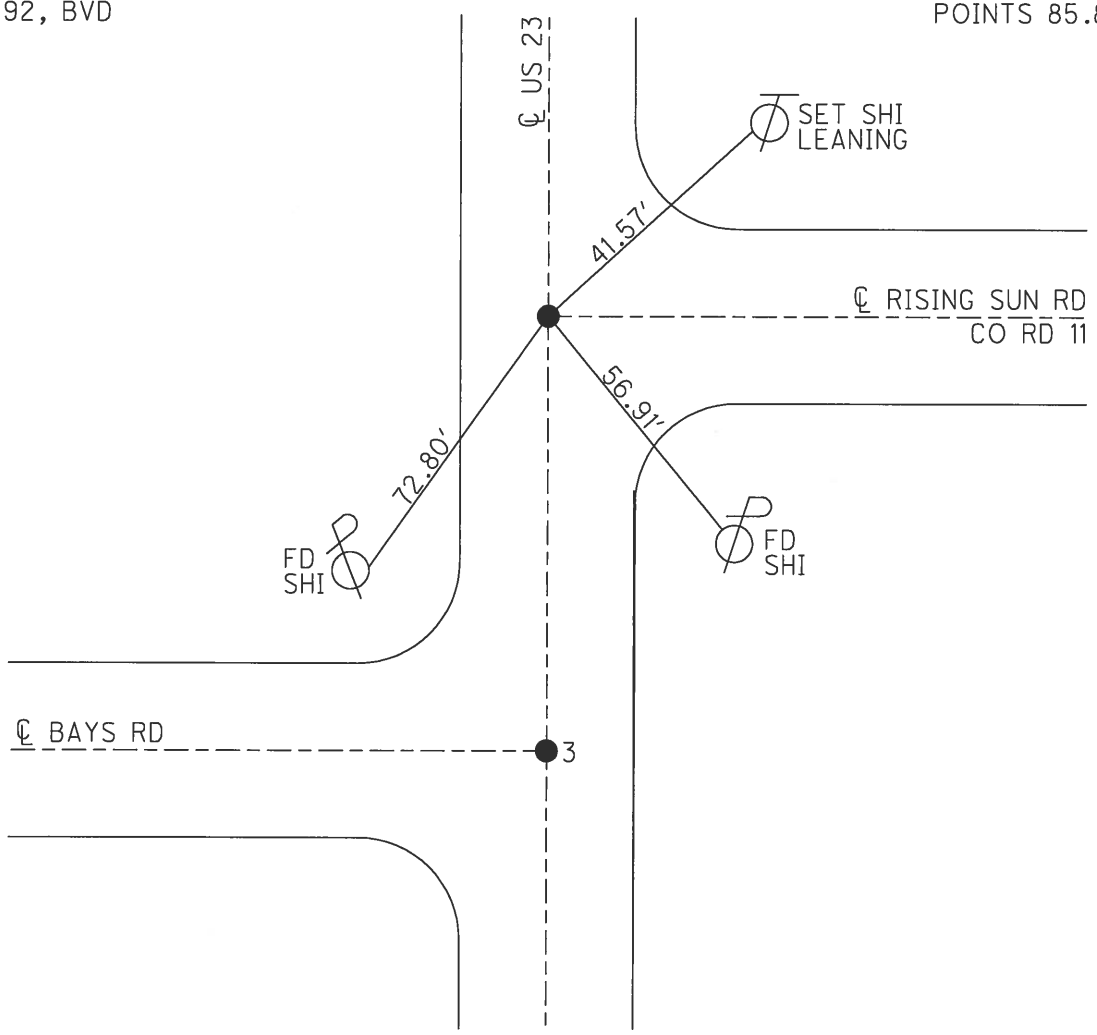
PERSONNEL _____ REFERENCE NO. 4 SHEET 4 OF 51
 NOTES BARNHISEL DATE 8/12/91 ROUTE US 23
 H.C. VAN DUSEN WEATHER SUNNY COUNTY SANDUSKY
 R.C. _____ TEMP. 83° TOWNSHIP SCOTT
 _____ SECTION 30
 _____ T 4 N R 13 E

TYPE MONUMENT P.K. NAIL/WASHER
 ON SURFACE - ~~BELOW~~ ON
 LEFT - ☉ PAV'T - RIGHT ON
- TO - EDGE PAVEMENT
 S.L.M. 53+94
 Grid: Northing: - Easting: -



RECORD:
 SET P.K. NAIL/WASHER
 4/27/92, BVD

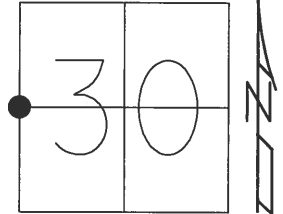
NOTE:
 DISTANCE BETWEEN
 POINTS 85.82'



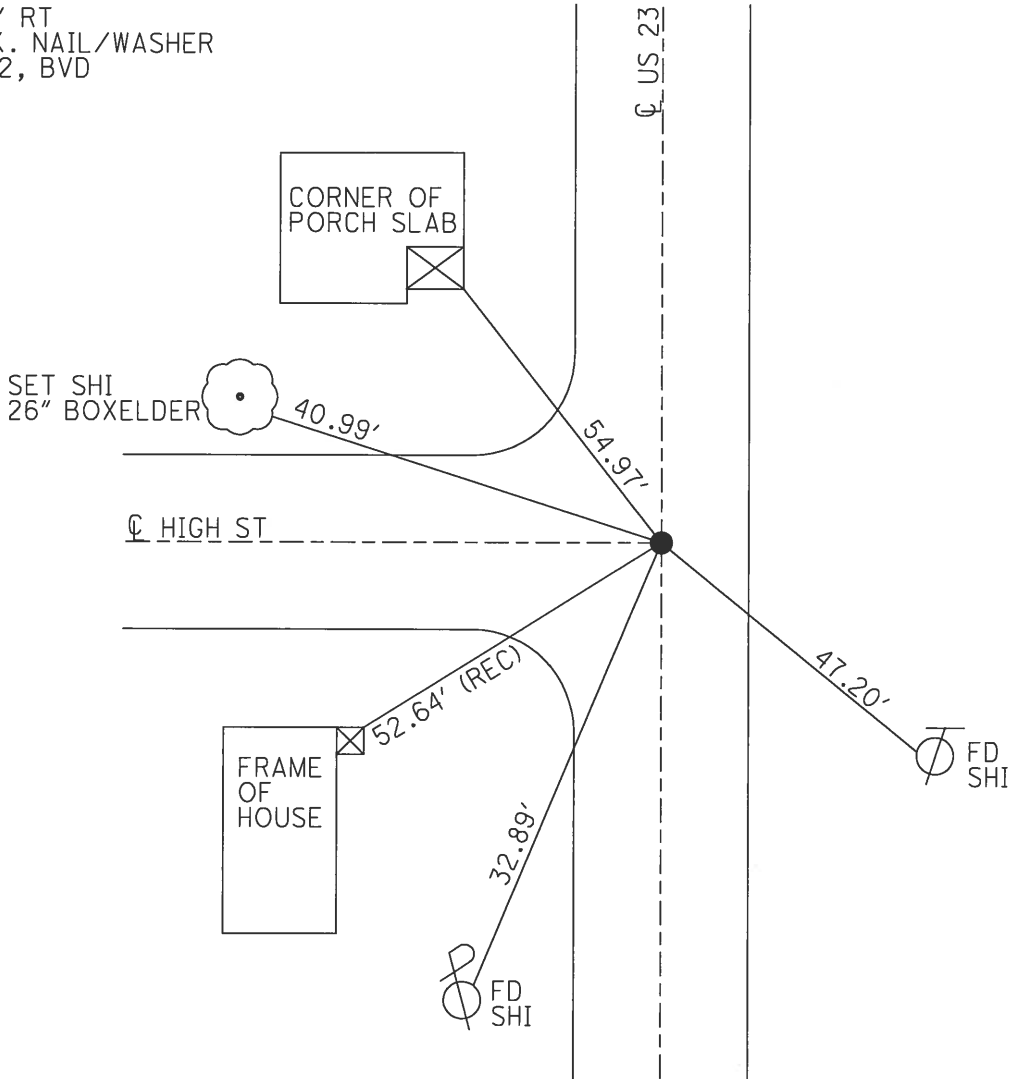
O.D.O.T. DISTRICT 2 SURVEY OFFICE (USE ONLY)

PERSONNEL	REFERENCE NO.	<u>5</u>	SHEET	<u>5</u>	OF	<u>51</u>
NOTES	<u>BARNHISEL</u>	DATE	<u>8/12/91</u>	ROUTE	<u>US 23</u>	
H.C.	<u>VAN DUSEN</u>	WEATHER	<u>SUNNY</u>	COUNTY	<u>SANDUSKY</u>	
R.C.	_____	TEMP.	<u>83°</u>	TOWNSHIP	<u>SCOTT</u>	
	_____			SECTION	<u>30</u>	
	_____			<u>T 4 N R 13 E</u>		

TYPE MONUMENT P.K. NAIL/WASHER
 ON SURFACE - ~~BELOW~~ ON
 LEFT - ☉ PAV'T - RIGHT ON
12.5' TO RT EDGE PAVEMENT
 S.L.M. 63+21
 Grid: Northing: - Easting: -



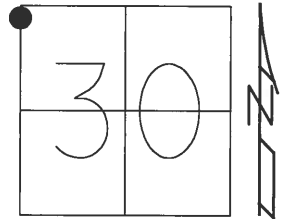
RECORD:
 $\Delta = 0^{\circ}02'$ RT
 SET P.K. NAIL/WASHER
 4/27/92, BVD



O.D.O.T. DISTRICT 2 SURVEY OFFICE (USE ONLY)

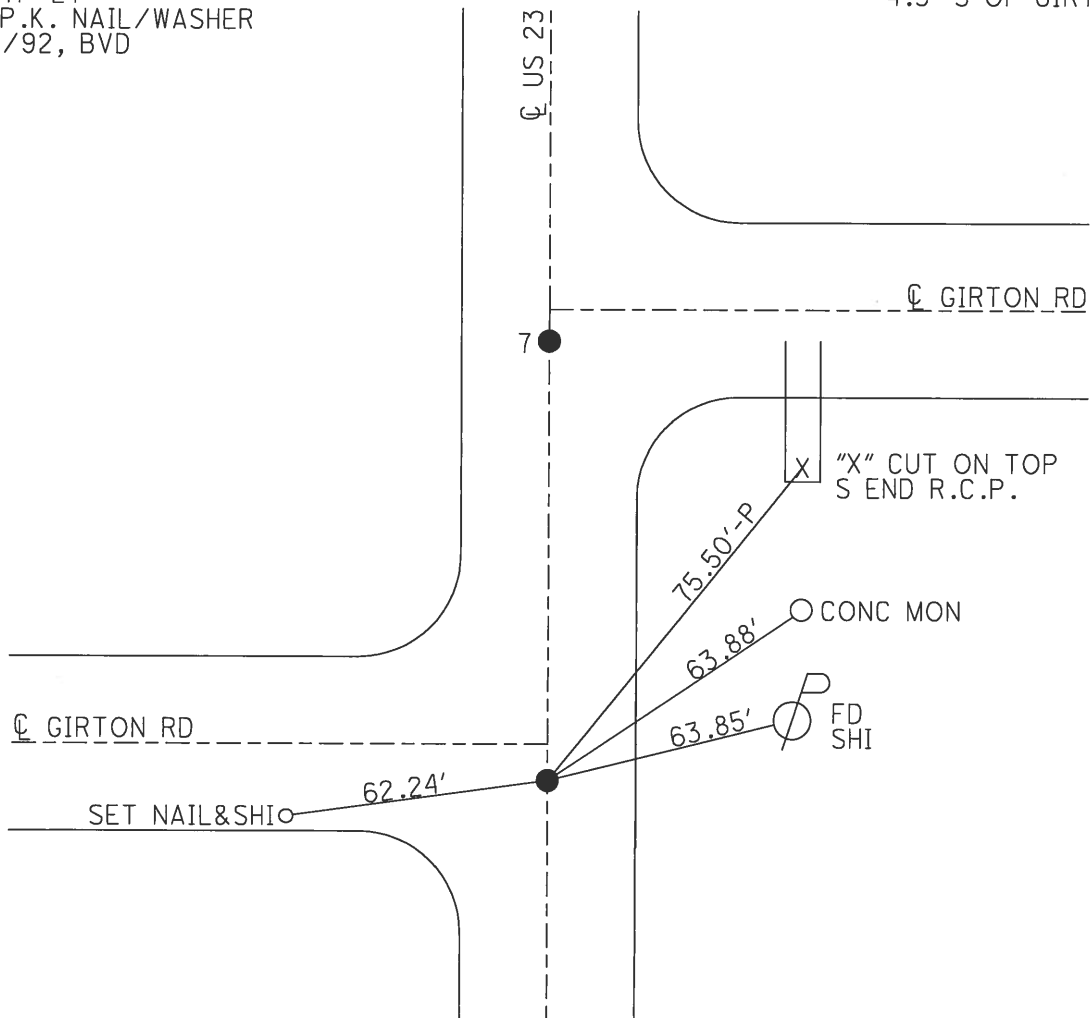
PERSONNEL	REFERENCE NO.	<u>6</u>	SHEET	<u>6</u>	OF	<u>51</u>
NOTES	<u>BARNHEISEL</u>	DATE	<u>8/9/91</u>	ROUTE	<u>US 23</u>	
H.C.	<u>VAN DUSEN</u>	WEATHER	<u>CLOUDY</u>	COUNTY	<u>SANDUSKY</u>	
R.C.	_____	TEMP.	<u>70°</u>	TOWNSHIP	<u>SCOTT</u>	
	_____			SECTION	<u>30</u>	
	_____			T	<u>4</u>	R
					<u>13</u>	<u>E</u>

TYPE MONUMENT P.K. NAIL/WASHER
 ON SURFACE - ~~BELOW~~ ON
 LEFT - ☉ PAV'T - RIGHT ON
11.7' TO RT EDGE PAVEMENT
 S.L.M. 106+22
 Grid: Northing: _____ Easting: _____



RECORD:
 $\Delta=0^{\circ}17'$ LT
 SET P.K. NAIL/WASHER
 4/27/92, BVD

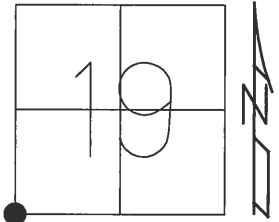
NOTE:
 4.3' S OF GIRTON RD ☉



O.D.O.T. DISTRICT 2 SURVEY OFFICE (USE ONLY)

PERSONNEL	REFERENCE NO.	<u>7</u>	SHEET	<u>7</u>	OF	<u>51</u>
NOTES	<u>BARNHEISEL</u>	DATE	<u>8/9/91</u>	ROUTE	<u>US 23</u>	
H.C.	<u>VAN DUSEN</u>	WEATHER	<u>CLOUDY</u>	COUNTY	<u>SANDUSKY</u>	
R.C.	_____	TEMP.	<u>70°</u>	TOWNSHIP	<u>SCOTT</u>	
	_____			SECTION	<u>19</u>	
	_____			T	<u>4</u>	R
					<u>13</u>	E

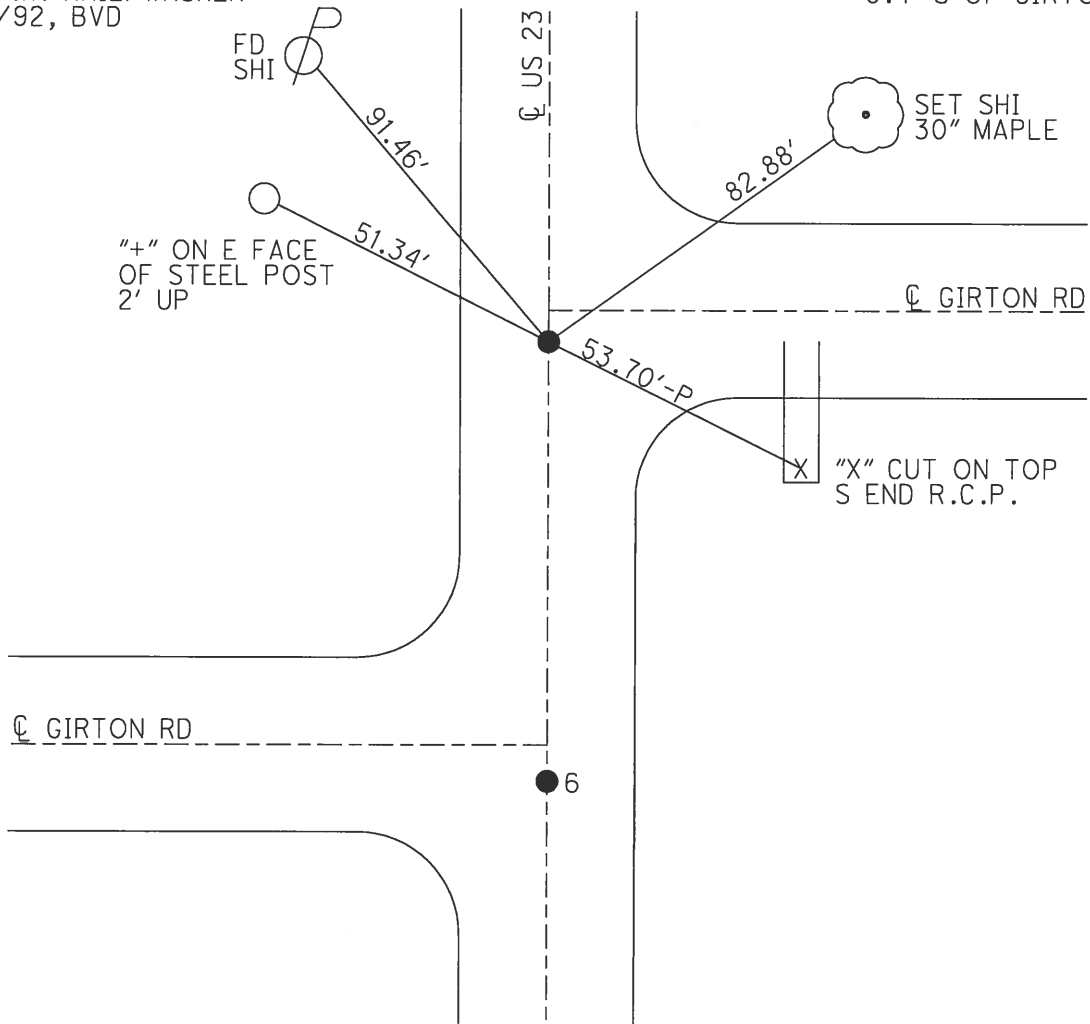
TYPE MONUMENT P.K. NAIL/WASHER
 ON SURFACE - ~~BELOW~~ ON
 LEFT - ☉ PAV'T - RIGHT ON
19' TO RT EDGE PAVEMENT
 S.L.M. 107+21



Grid: Northing: _____ Easting: _____

RECORD:
 SET P.K. NAIL/WASHER
 4/27/92, BVD

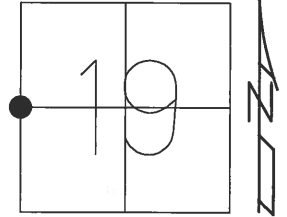
NOTE:
 5.4' S OF GIRTON RD ☉



O.D.O.T. DISTRICT 2 SURVEY OFFICE (USE ONLY)

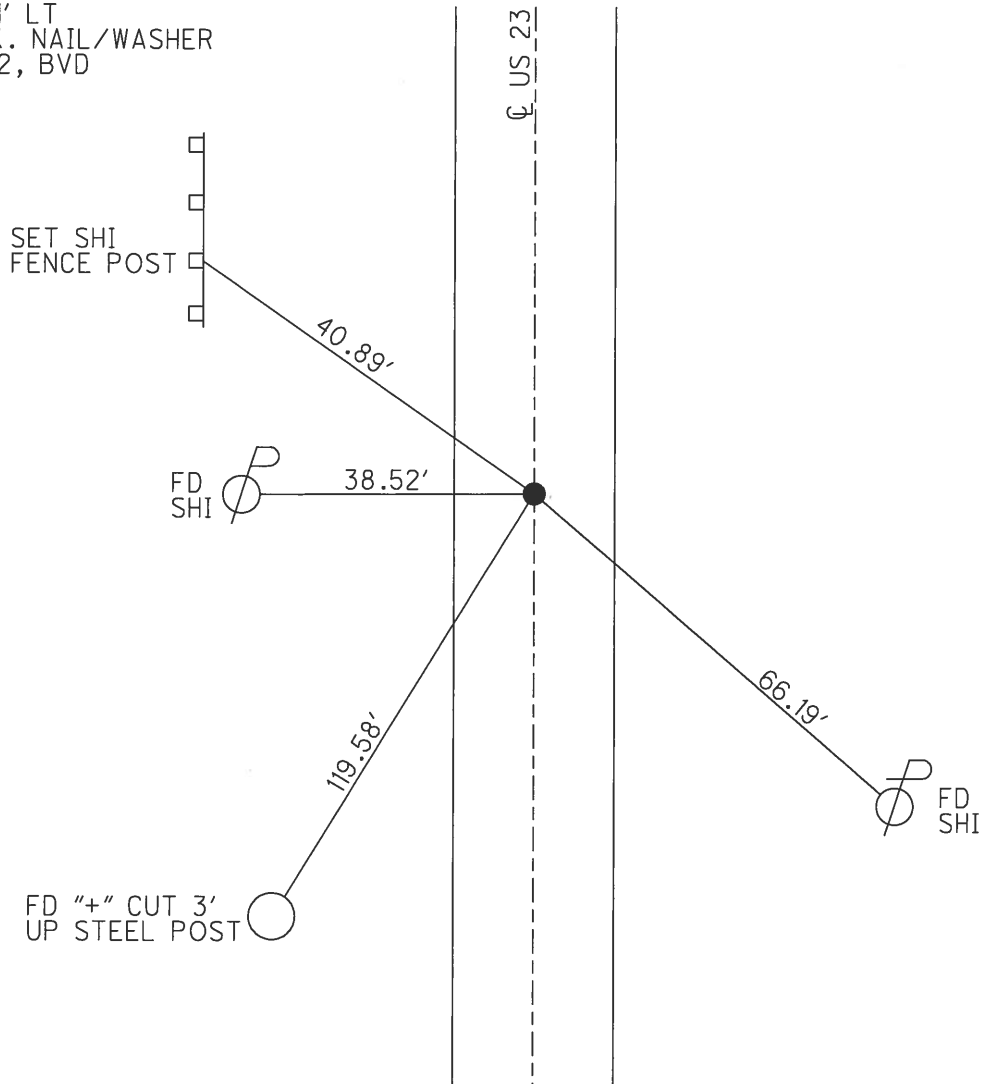
PERSONNEL	REFERENCE NO.	<u>8</u>	SHEET	<u>8</u>	OF	<u>51</u>
NOTES	<u>BARNHISEL</u>	DATE	<u>8/9/91</u>	ROUTE	<u>US 23</u>	
H.C.	<u>VAN DUSEN</u>	WEATHER	<u>CLOUDY</u>	COUNTY	<u>SANDUSKY</u>	
R.C.	_____	TEMP.	<u>70°</u>	TOWNSHIP	<u>SCOTT</u>	
	_____			SECTION	<u>19</u>	
	_____			T	<u>4</u>	R
				N	<u>13</u>	E

TYPE MONUMENT P.K. NAIL/WASHER
 ON SURFACE - ~~BELOW~~ ON
 LEFT - ☉ PAV'T - RIGHT ON
11.8' TO RT EDGE PAVEMENT
 S.L.M. 132+61



Grid: Northing: _____ Easting: _____

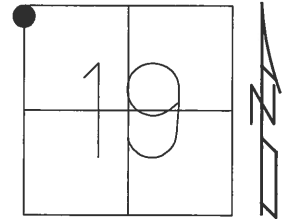
RECORD:
 $\Delta = 0^{\circ}01' \text{ LT}$
 SET P.K. NAIL/WASHER
 4/27/92, BVD



O.D.O.T. DISTRICT 2 SURVEY OFFICE (USE ONLY)

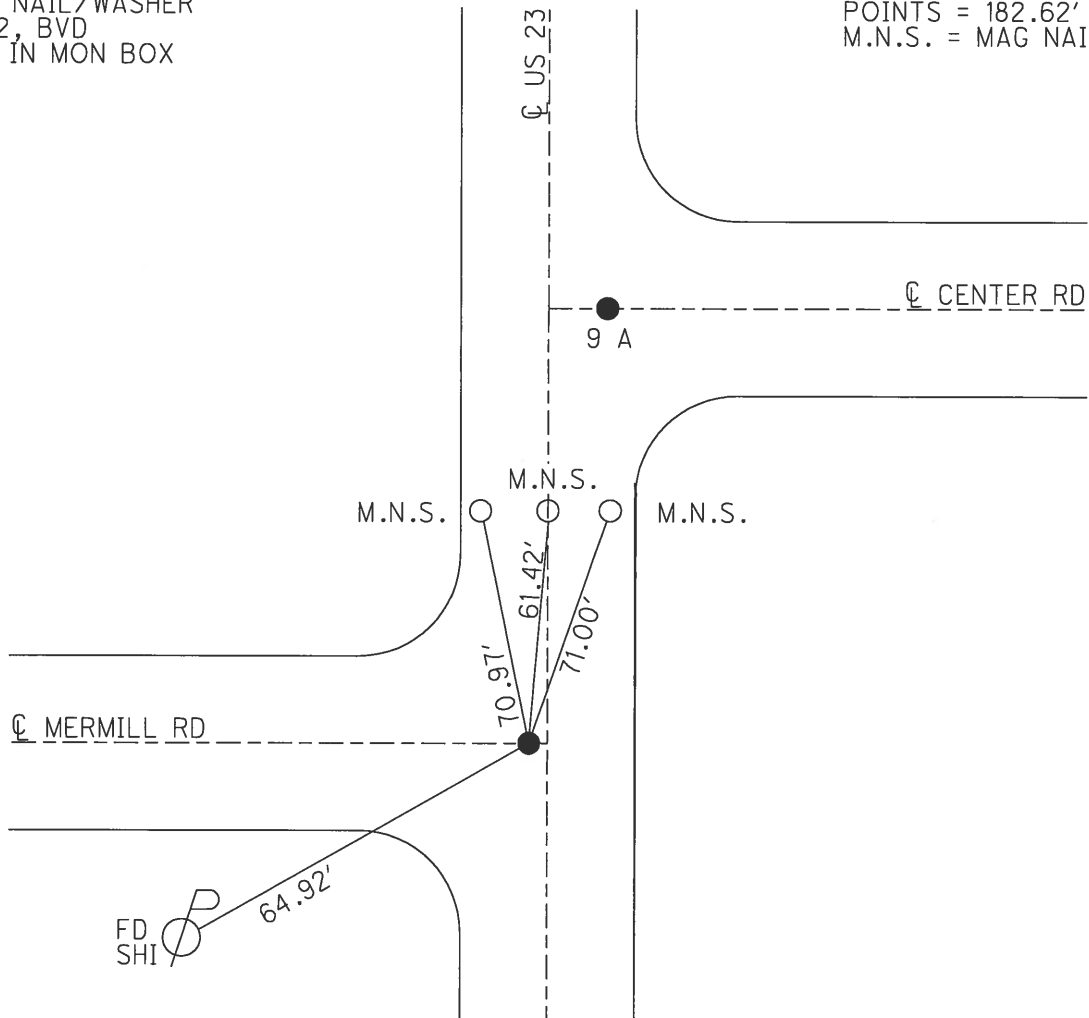
PERSONNEL _____ REFERENCE NO. 9 SHEET 9 OF 51
 NOTES BARNHESEL DATE 8/9/91 ROUTE US 23
 H.C. VAN DUSEN WEATHER CLOUDY COUNTY SANDUSKY
 R.C. _____ TEMP. 70° TOWNSHIP SCOTT
 _____ SECTION 19
 _____ T 4 N R 13 E

TYPE MONUMENT _____ P.K. NAIL/WASHER
 ON SURFACE - ~~BELOW~~ _____ ON _____
 LEFT - ☉ PAV'T - ~~RIGHT~~ _____ 0.5'
 _____ 12.2' TO RT EDGE PAVEMENT
 S.L.M. _____ 159+09
 Grid: Northing: _____ Easting: _____



RECORD:
 Δ = 0°00' REC.
 FD P.K. NAIL/WASHER
 4/27/92, BVD
 FD IPIN IN MON BOX
 5/9/00

NOTE:
 DISTANCE BETWEEN
 POINTS = 182.62'
 M.N.S. = MAG NAIL SET



O.D.O.T. DISTRICT 2 SURVEY OFFICE (USE ONLY)

PERSONNEL _____ REFERENCE NO. 9 A SHEET 10 OF 51

NOTES BARNHISEL DATE 8/9/91 ROUTE US 23
 H.C. VAN DUSEN WEATHER CLOUDY COUNTY SANDUSKY
 R.C. _____ TEMP. 70° TOWNSHIP SCOTT
 _____ SECTION 18
 _____ T 4 N R 13 E

TYPE MONUMENT P.K. NAIL/WASHER

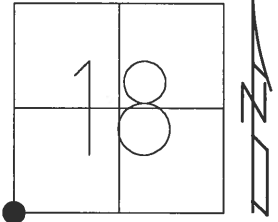
ON SURFACE - ~~BELOW~~ ON _____

~~LEFT~~ - Q PAV'T - RIGHT 6'

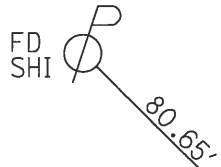
17.3' TO RT EDGE PAVEMENT

S.L.M. 160+92

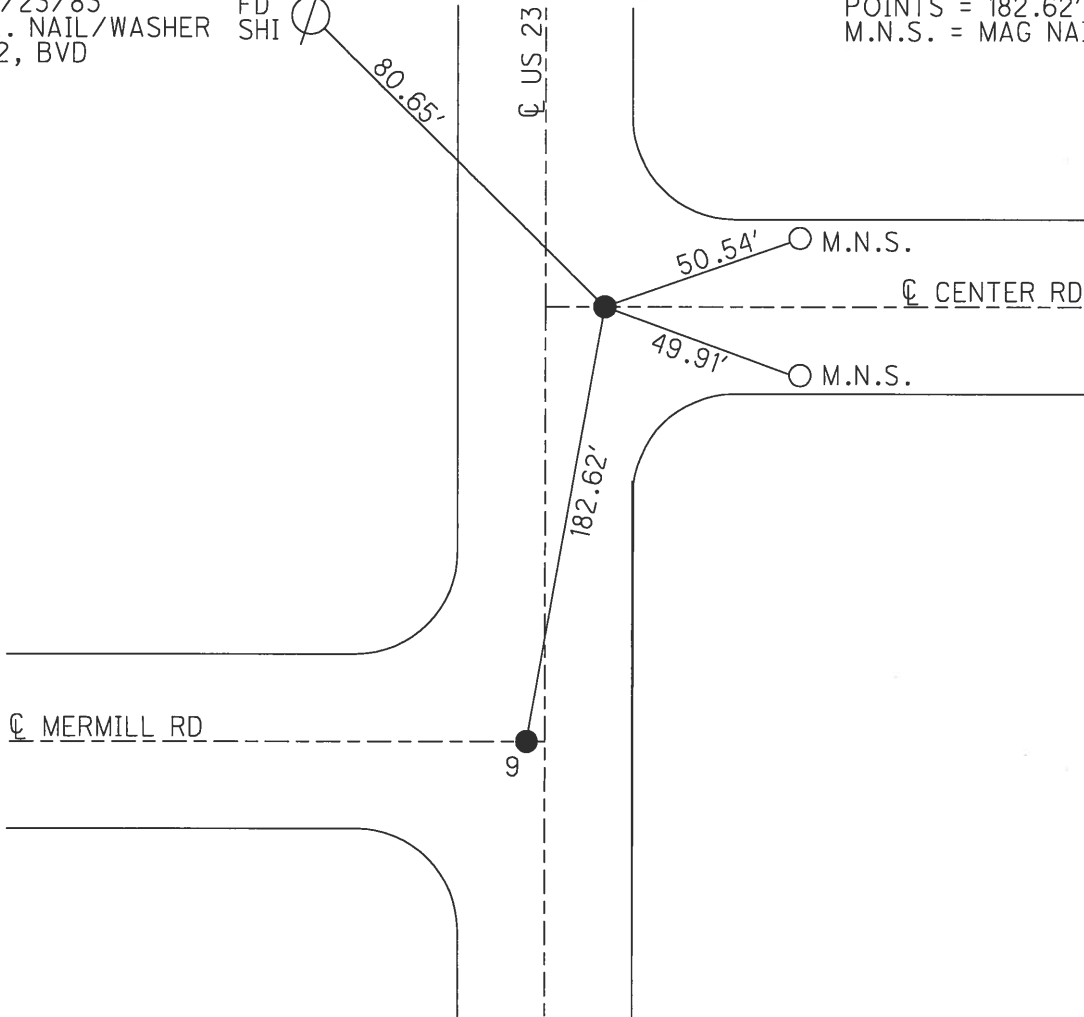
Grid: Northings: _____ Easting: _____



RECORD:
 ORIGIN UNKNOWN
 SINCE 7/23/83
 SET P.K. NAIL/WASHER
 4/27/92, BVD



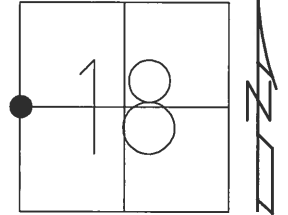
NOTE:
 DISTANCE BETWEEN
 POINTS = 182.62'
 M.N.S. = MAG NAIL SET



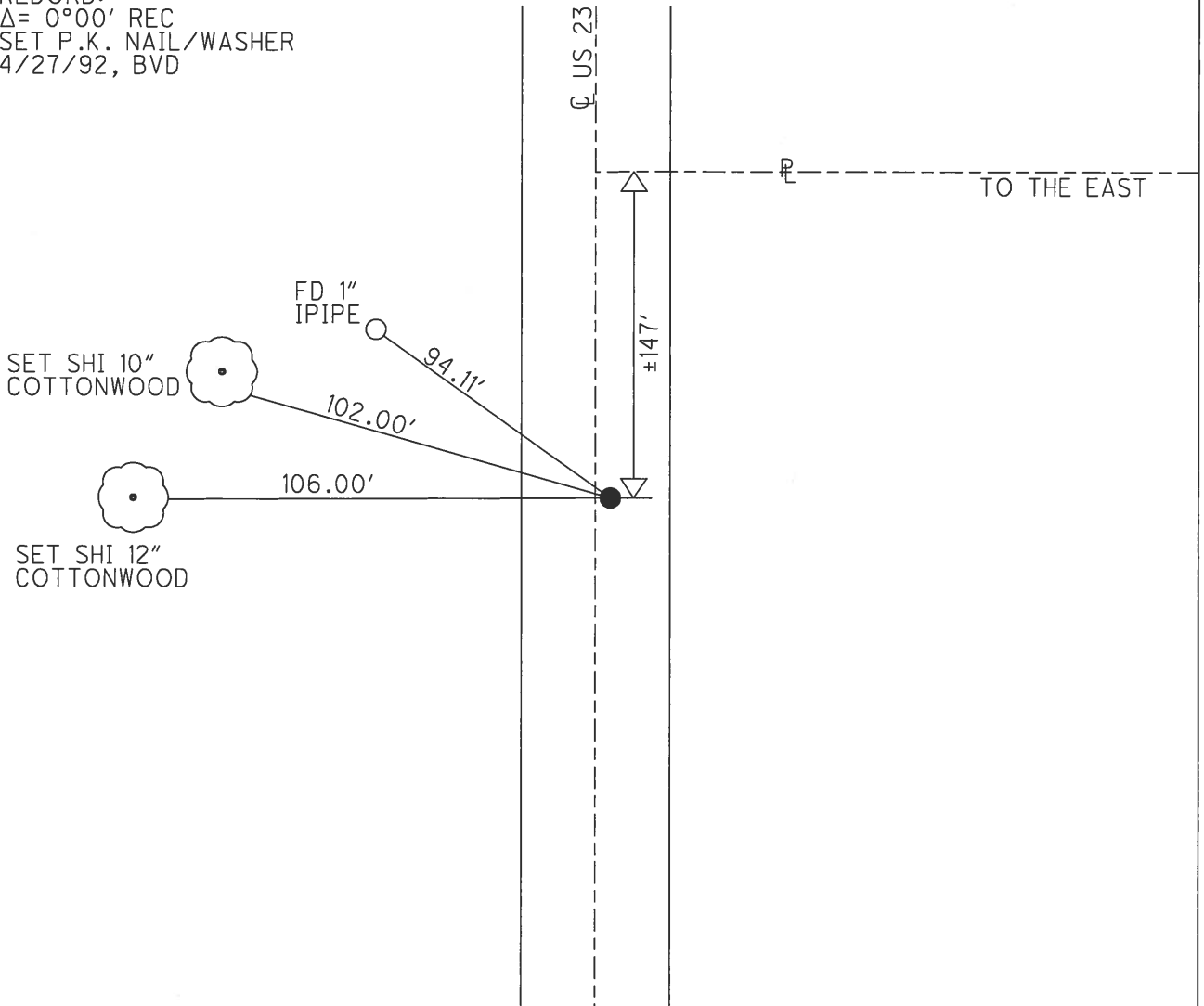
O.D.O.T. DISTRICT 2 SURVEY OFFICE (USE ONLY)

PERSONNEL	REFERENCE NO.	9 B	SHEET	11 OF 51	
NOTES	BARNHISEL	DATE	8/9/91	ROUTE	US 23
H.C.	VAN DUSEN	WEATHER	CLOUDY	COUNTY	SANDUSKY
R.C.		TEMP.	70°	TOWNSHIP	SCOTT
				SECTION	18
				T 4 N	R 13 E

TYPE MONUMENT P.K. NAIL/WASHER
 ON SURFACE - ~~BELOW~~ ON
~~LEFT~~ - CL PAV'T - RIGHT 2.0'
13.6' TO LT EDGE PAVEMENT
 S.L.M. 184+76
 Grid: Northing: - Easting: -



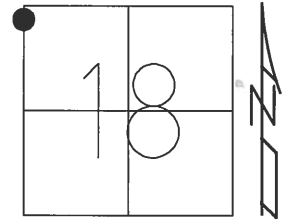
REDORD:
 $\Delta = 0^{\circ}00'$ REC
 SET P.K. NAIL/WASHER
 4/27/92, BVD



O.D.O.T. DISTRICT 2 SURVEY OFFICE (USE ONLY)

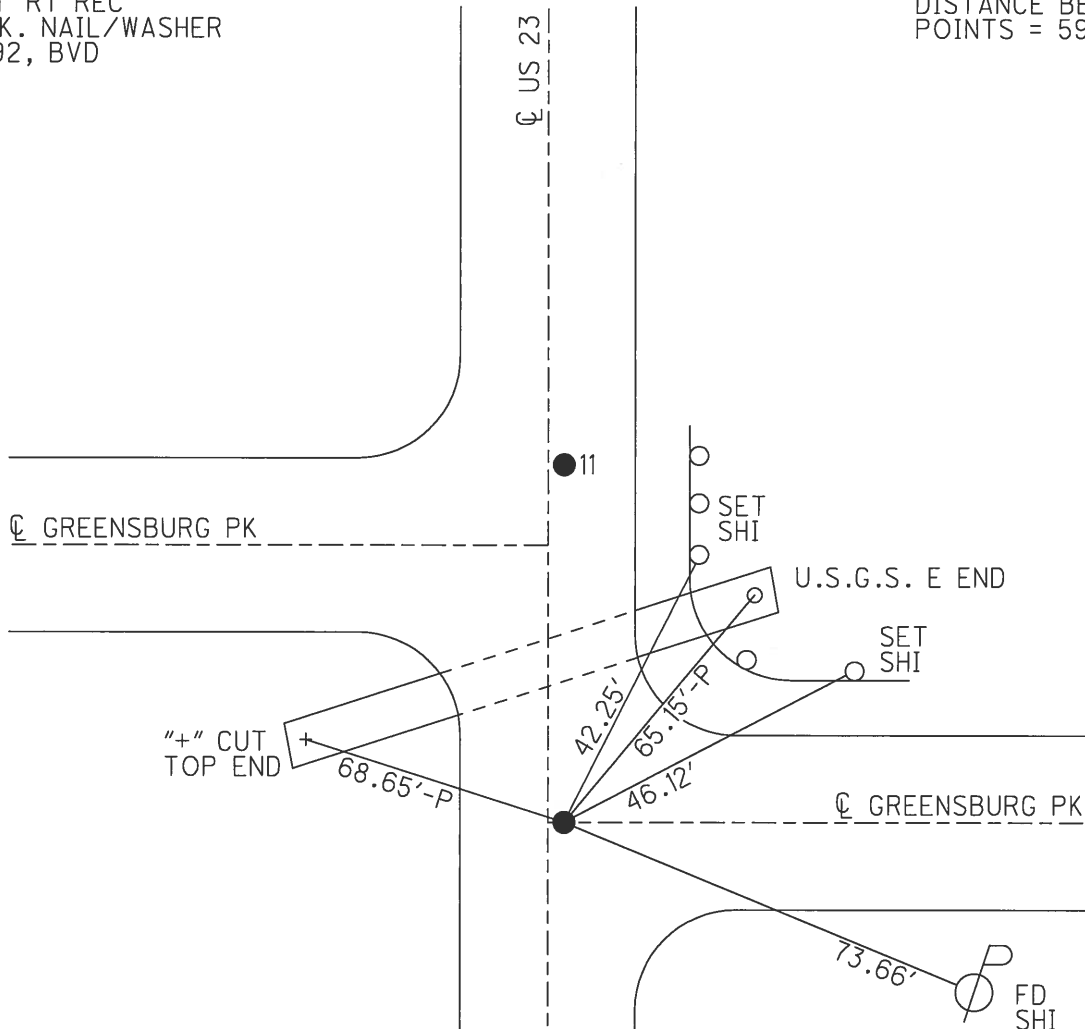
PERSONNEL _____ REFERENCE NO. 10 SHEET 12 OF 51
 NOTES BARNHISEL DATE 8/9/91 ROUTE US 23
 H.C. VAN DUSEN WEATHER CLOUDY COUNTY SANDUSKY
 R.C. _____ TEMP. 70° TOWNSHIP SCOTT
 _____ SECTION 18
 T 4 N R 13 E

TYPE MONUMENT _____ P.K. NAIL/WASHER
 ON SURFACE - ~~BELOW~~ ON _____
~~LEFT~~ - Q PAV'T - RIGHT 1.5'
13.0' TO RT EDGE PAVEMENT
 S.L.M. 211+55
 Grid: Northing: _____ Easting: _____



RECORD:
 Δ = 0°11' RT REC
 SET P.K. NAIL/WASHER
 4/27/92, BVD

NOTE:
 DISTANCE BETWEEN
 POINTS = 59.57'

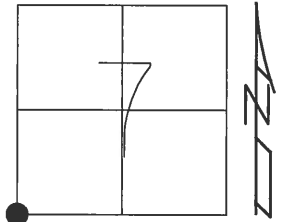


O.D.O.T. DISTRICT 2 SURVEY OFFICE (USE ONLY)

PERSONNEL	REFERENCE NO.	<u>11</u>	SHEET	<u>13</u>	OF	<u>51</u>
NOTES	<u>BARNHISEL</u>	DATE	<u>8/9/91</u>	ROUTE	<u>US 23</u>	
H.C.	<u>VAN DUSEN</u>	WEATHER	<u>CLOUDY</u>	COUNTY	<u>SANDUSKY</u>	
R.C.	_____	TEMP.	<u>70°</u>	TOWNSHIP	<u>SCOTT</u>	
	_____			SECTION	<u>7</u>	
	_____			T	<u>4</u>	R
				N	<u>13</u>	E

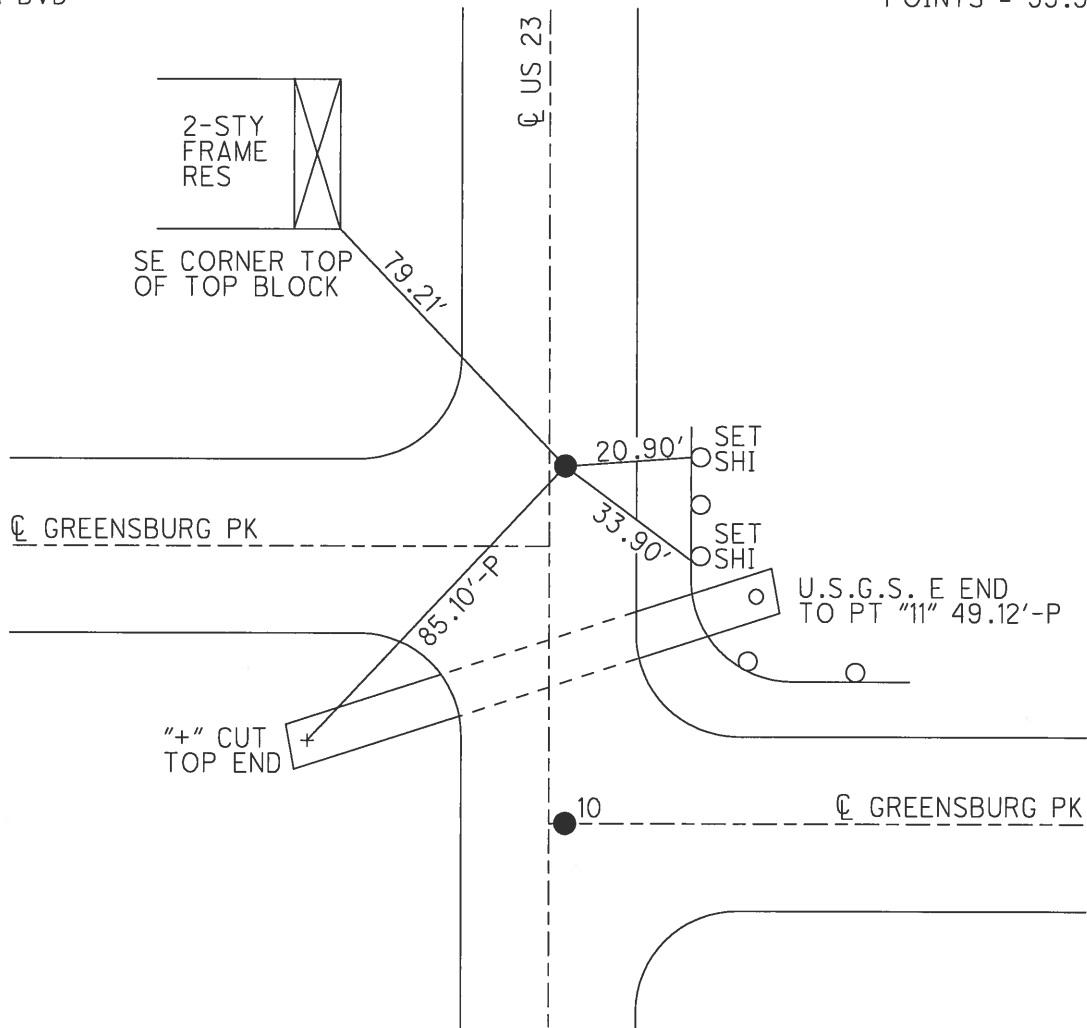
TYPE MONUMENT P.K. NAIL/WASHER
 ON SURFACE - ~~BELOW~~ ON
~~LEFT~~ - PAV'T - RIGHT 1.7'
11.0' TO RT EDGE PAVEMENT
 S.L.M. 212+15

Grid: Northing: _____ Easting: _____



RECORD:
 SET P.K. NAIL/WASHER
 4/27/92, BVD

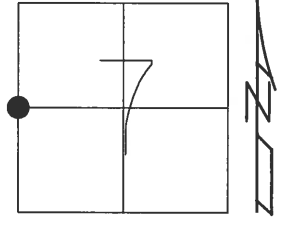
NOTE:
 DISTANCE BETWEEN
 POINTS = 59.57'



O.D.O.T. DISTRICT 2 SURVEY OFFICE (USE ONLY)

PERSONNEL	REFERENCE NO.	11 A	SHEET	14 OF	51
NOTES	BARNHISEL	DATE	8/9/91	ROUTE	US 23
H.C.	VAN DUSEN	WEATHER	CLOUDY	COUNTY	SANDUSKY
R.C.		TEMP.	65°	TOWNSHIP	SCOTT
				SECTION	7
				T 4 N	R 13 E

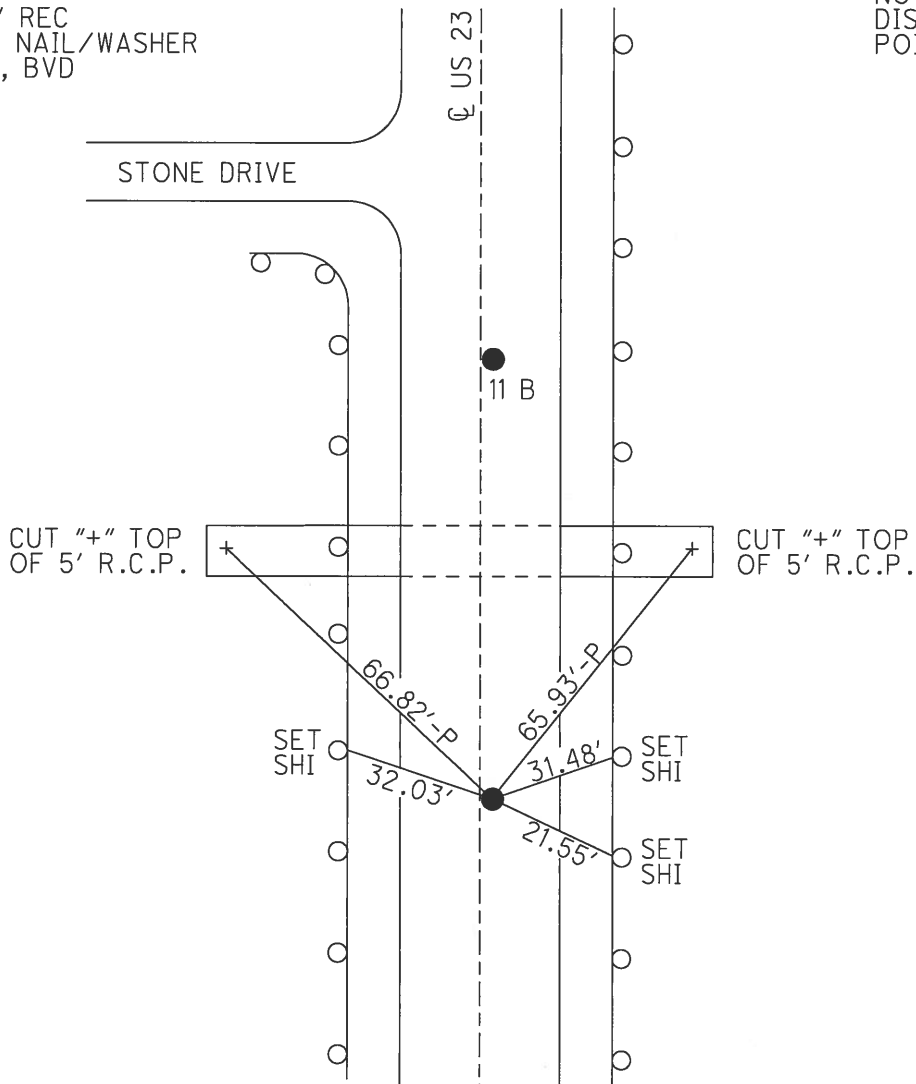
TYPE MONUMENT P.K. NAIL/WASHER
 ON SURFACE - ~~BELOW~~ ON
~~LEFT~~ - CL PAV'T - RIGHT 0.7'
10.8' TO RT EDGE PAVEMENT
 S.L.M. 238+38



Grid: Northing: - Easting: -

RECORD:
 $\Delta = 0^{\circ}00'$ REC
 SET P.K. NAIL/WASHER
 4/27/92, BVD

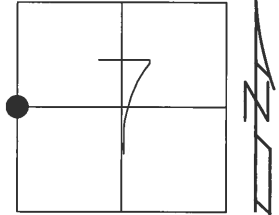
NOTE:
 DISTANCE BETWEEN
 POINTS = 100.75'



O.D.O.T. DISTRICT 2 SURVEY OFFICE (USE ONLY)

PERSONNEL _____ REFERENCE NO. 11 B SHEET 15 OF 51
 NOTES BARNHISEL DATE 8/9/91 ROUTE US 23
 H.C. VAN DUSEN WEATHER CLOUDY COUNTY SANDUSKY
 R.C. _____ TEMP. 65° TOWNSHIP SCOTT
 _____ SECTION 7
 T 4 N R 13 E

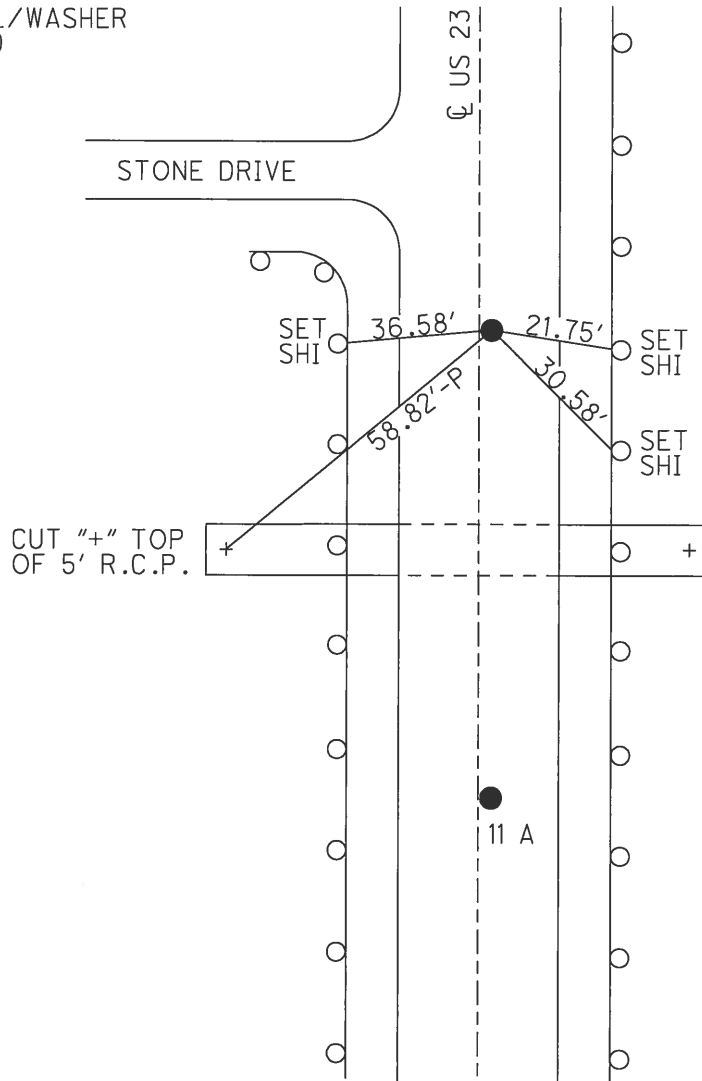
TYPE MONUMENT P.K. NAIL/WASHER
 ON SURFACE - ~~BELOW~~ ON
~~LEFT~~ - Q PAV'T - RIGHT 0.7'
10.8' TO RT EDGE PAVEMENT
 S.L.M. 239+39



Grid: Northing: _____ Easting: _____

RECORD:
 SET P.K. NAIL/WASHER
 4/27/92, BVD

NOTE:
 DISTANCE BETWEEN
 POINTS = 100.75'



O.D.O.T. DISTRICT 2 SURVEY OFFICE (USE ONLY)

PERSONNEL	REFERENCE NO.	<u>11 C</u>	SHEET	<u>16</u>	OF	<u>51</u>
NOTES	<u>BARNHISEL</u>	DATE	<u>8/9/91</u>	ROUTE	<u>US 23</u>	
H.C.	<u>VAN DUSEN</u>	WEATHER	<u>CLOUDY</u>	COUNTY	<u>SANDUSKY</u>	
R.C.	_____	TEMP.	<u>65°</u>	TOWNSHIP	<u>SCOTT</u>	
	_____			SECTION	<u>7</u>	
	_____			T <u>4</u> N	R <u>13</u> E	

TYPE MONUMENT P.K. NAIL/WASHERS

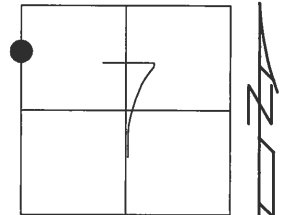
ON SURFACE - ~~BELOW~~ ON

~~LEFT~~ - Q PAV'T - RIGHT 1.0'

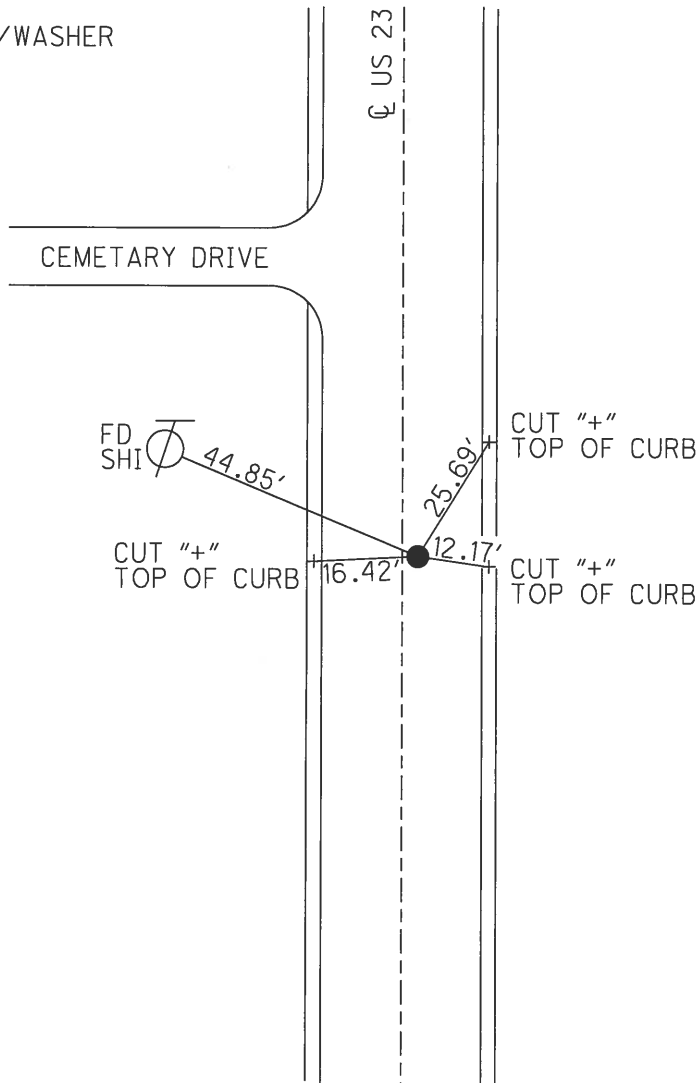
11.8' TO RT EDGE PAVEMENT

S.L.M. 261+34

Grid: Northing: Easting:



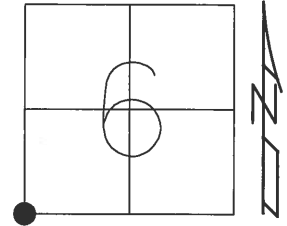
RECORD:
P.O.T.
SET P.K. NAIL/WASHER
4/15/92, BVD



O.D.O.T. DISTRICT 2 SURVEY OFFICE (USE ONLY)

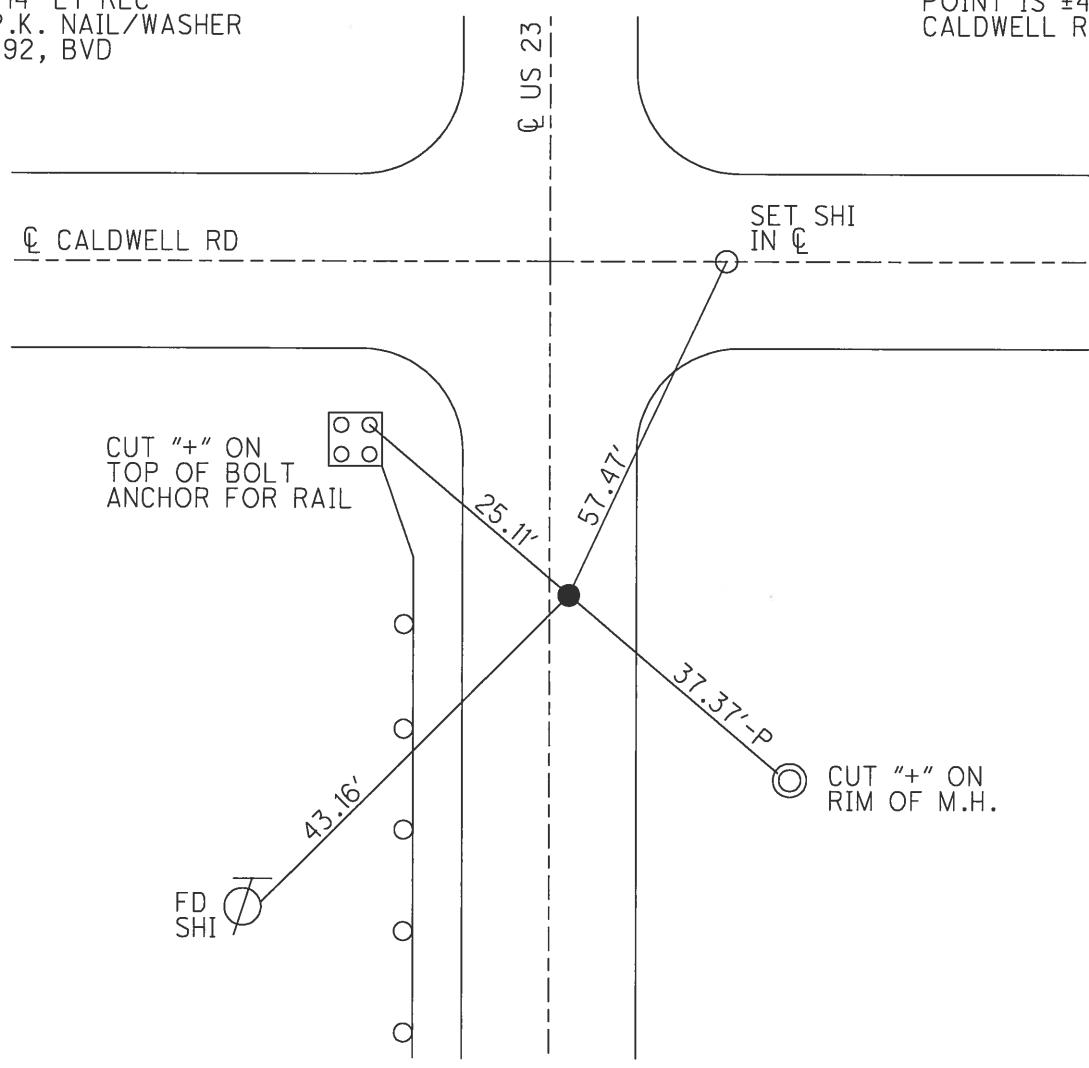
PERSONNEL _____ REFERENCE NO. 11 D SHEET 17 OF 51
 NOTES BARNHISEL DATE 8/9/91 ROUTE US 23
 H.C. VAN DUSEN WEATHER CLOUDY COUNTY SANDUSKY
 R.C. _____ TEMP. 65° TOWNSHIP SCOTT
 _____ SECTION 6
 _____ T 4 N R 13 E

TYPE MONUMENT P.K. NAIL/WASHER
 ON SURFACE - ~~BELOW~~ ON _____
~~LEFT~~ - ☉ PAV'T - RIGHT 1.8'
10.6' TO RT EDGE PAVEMENT
 S.L.M. 265+53
 Grid: Northing: _____ Easting: _____



RECORD:
 $\Delta = 0^{\circ}14'$ LT REC
 SET P.K. NAIL/WASHER
 4/15/92, BVD

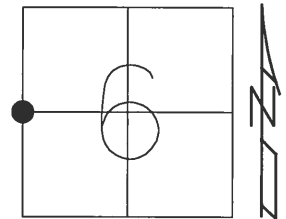
NOTE:
 POINT IS $\pm 41'$ S OF
 CALDWELL RD ☉



O.D.O.T. DISTRICT 2 SURVEY OFFICE (USE ONLY)

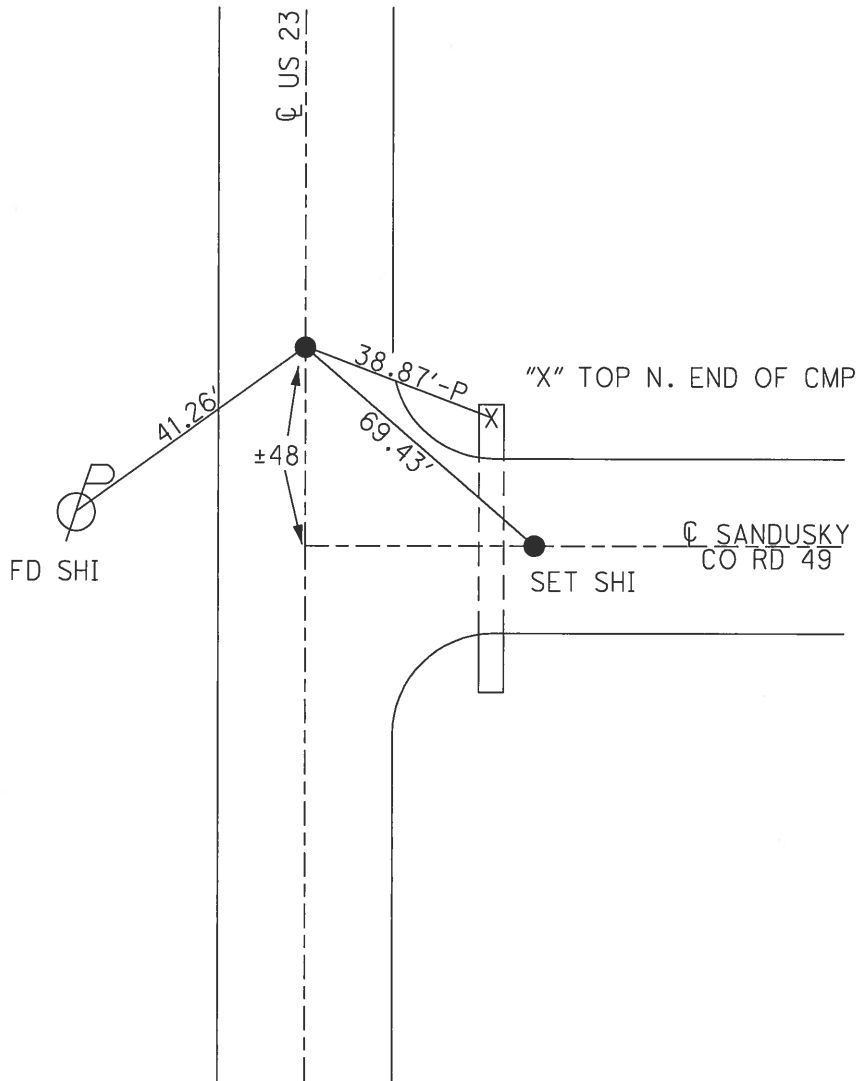
PERSONNEL	REFERENCE NO.	12	SHEET	18	OF	51
NOTES	BARNHISEL	DATE	08/09/91	ROUTE	US 23	
H.C.	VAN DUSEN	WEATHER	CLOUDY	COUNTY	SANDUSKY	
R.C.		TEMP.	65°	TOWNSHIP	SCOTT	
				SECTION	6	
				T	4	N R 13 E

TYPE MONUMENT _____ P.K. NAIL/WASHER
 ON SURFACE - ~~BELOW~~ _____ ON _____
 LEFT - ☉ PAV'T - RIGHT _____ ON _____
11.3 TO LT EDGE PAVEMENT
 S.L.M. _____ 291+66



Grid: Northing: _____ Easting: _____

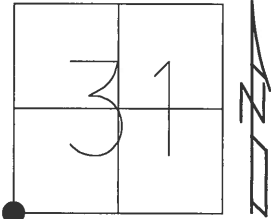
RECORD:
 Δ=0°-00' REC
 SET PK/WASHER
 04/15/92, BVD
 FD SHOT GPS
 11/29/12, SAH



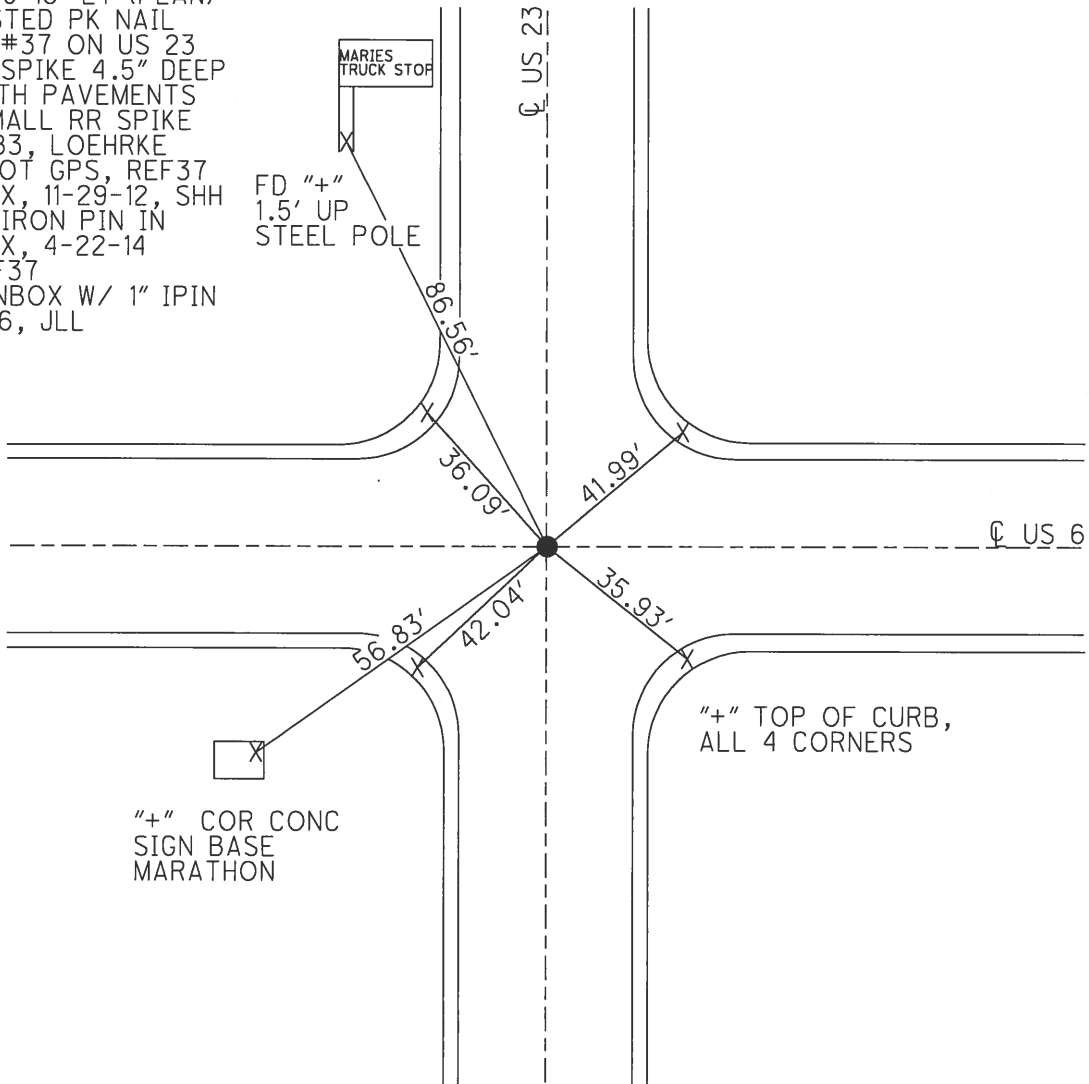
O.D.O.T. DISTRICT 2 SURVEY OFFICE (USE ONLY)

PERSONNEL _____ REFERENCE NO. 13 SHEET 19 OF 51
 NOTES LOEHRKE DATE 7-30-81 ROUTE US 23
 H.C. HOFFMAN WEATHER CLEAR COUNTY SANDUSKY
 R.C. HOUSEHOLDER TEMP. 75° TOWNSHIP MADISON
 _____ SECTION 31
 _____ T 5 N R 13 E

TYPE MONUMENT _____ MONBOX _____
~~ON SURFACE~~ - BELOW _____ 4.5"
 LEFT - \odot PAV'T - RIGHT _____ ON _____
 _____ TO _____ EDGE PAVEMENT
 S.L.M. _____ 318+06
 Grid: Northing: 611428.370 Easting: 1716626.270



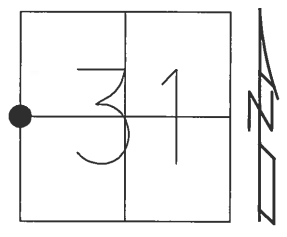
RECORD:
 PI $\Delta=00^{\circ}16'$ LT (PLAN)
 FD RUSTED PK NAIL
 NOTE: #37 ON US 23
 FD RR SPIKE 4.5" DEEP
 ON BOTH PAVEMENTS
 SET SMALL RR SPIKE
 9/27/83, LOEHRKE
 FD, SHOT GPS, REF37
 MONBOX, 11-29-12, SHH
 REF37 IRON PIN IN
 MONBOX, 4-22-14
 NEWREF37
 FD MONBOX W/ 1" IPIN
 10-17-16, JLL



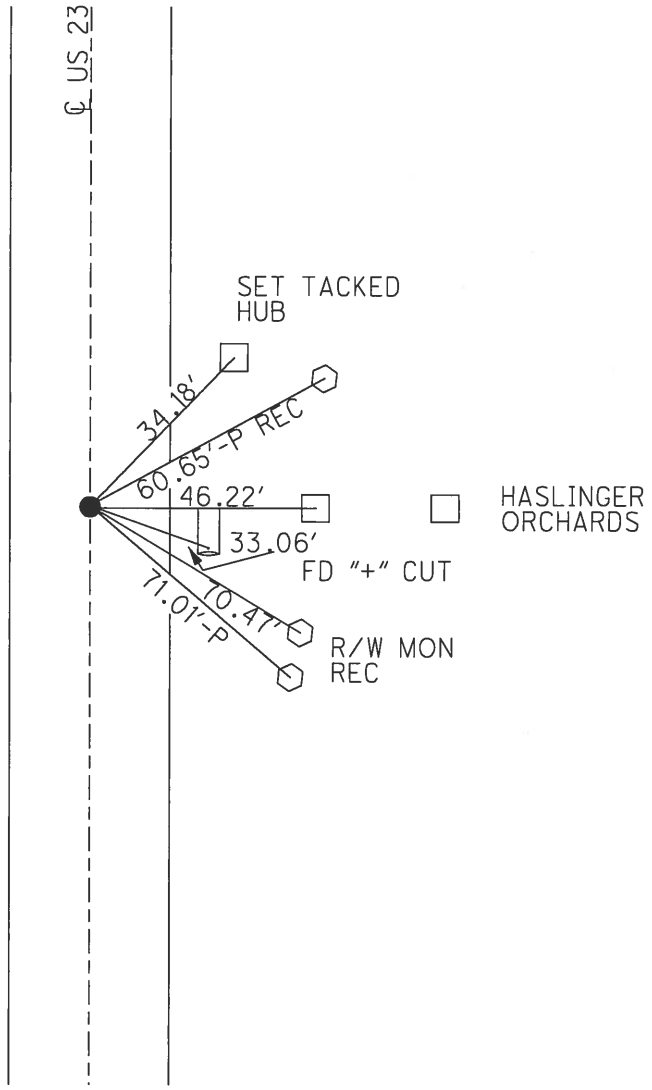
O.D.O.T. DISTRICT 2 SURVEY OFFICE (USE ONLY)

PERSONNEL _____ REFERENCE NO. 14 SHEET 20 OF 51
 NOTES RHOADES DATE 4-21-14 ROUTE US 23
 H.C. ROUSOS WEATHER CLOUDY COUNTY SANDUSKY
 R.C. GABLE TEMP. 62° TOWNSHIP MADISON
 _____ HOMAN _____ SECTION 31
 T 5 N R 13 E

TYPE MONUMENT P.K. NAIL/WASHER
~~ON SURFACE~~ - BELOW 3"
 LEFT - ☉ PAV'T - RIGHT ON
12.6 TO RT EDGE PAVEMENT
 S.L.M. 344+48
 Grid: Northing: 614069.310 Easting: 1716692.958



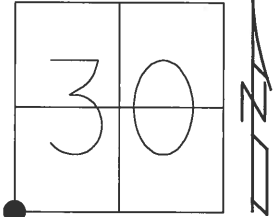
RECORD:
 POT 662+54.96
 $\Delta=0^{\circ}-0'-0''$
 SET PK & WASHER
 9-9-91, MB
 FD, GPS SHOT REF38
 11-30-12, SHH
 NEWREF38
 FD MONBOX W/ 3/4"
 IPIN
 10-17-16, JLL



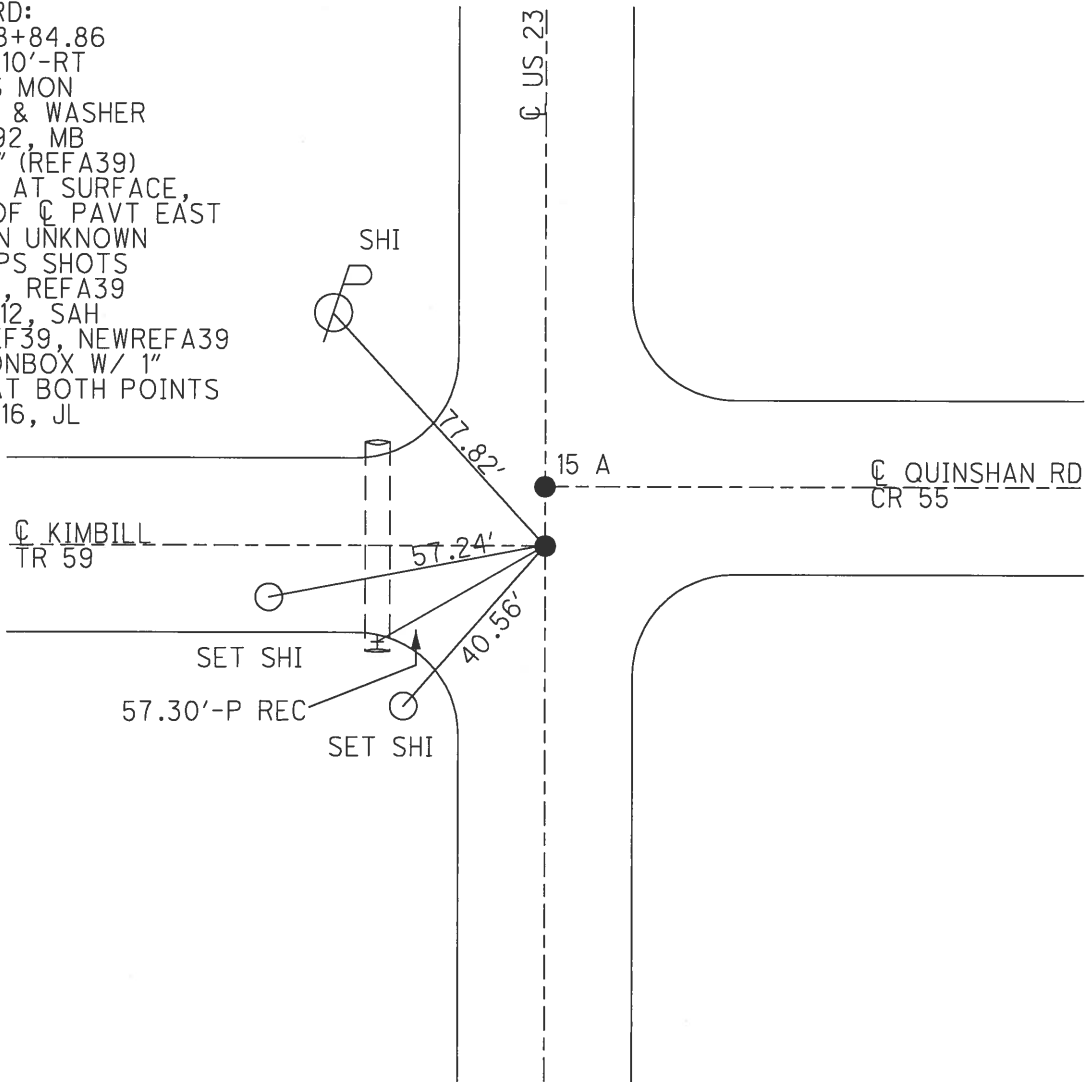
O.D.O.T. DISTRICT 2 SURVEY OFFICE (USE ONLY)

PERSONNEL	REFERENCE NO.	<u>15</u>	SHEET	<u>21</u>	OF	<u>51</u>
NOTES	<u>RHOADES</u>	DATE	<u>4-21-14</u>	ROUTE	<u>US 23</u>	
H.C.	<u>ROUSOS</u>	WEATHER	<u>CLOUDY</u>	COUNTY	<u>SANDUSKY</u>	
R.C.	<u>GABLE</u>	TEMP.	<u>62°</u>	TOWNSHIP	<u>MADISON</u>	
	<u>HOMAN</u>			SECTION	<u>30</u>	
				T	<u>5</u>	R
				N	<u>13</u>	E

TYPE MONUMENT P.K. NAIL/WASHER
 ON SURFACE - ~~BELOW~~ ON
 LEFT - Q PAV'T - RIGHT ON
12.6 TO RT EDGE PAVEMENT
 S.L.M. 370+78
 Grid: Northing: 616698.528 Easting: 1716759.626



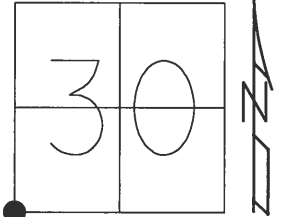
RECORD:
 PI 688+84.86
 $\Delta=0^{\circ}-10'-RT$
 BRASS MON
 FD PK & WASHER
 4-14-92, MB
 PT "B" (REFA39)
 FD PK AT SURFACE,
 3' N OF Q PAVT EAST
 ORIGIN UNKNOWN
 FD, GPS SHOTS
 REF39, REFA39
 11-29-12, SAH
 NEWREF39, NEWREFA39
 FD MONBOX W/ 1"
 IPIN AT BOTH POINTS
 10-17-16, JL



O.D.O.T. DISTRICT 2 SURVEY OFFICE (USE ONLY)

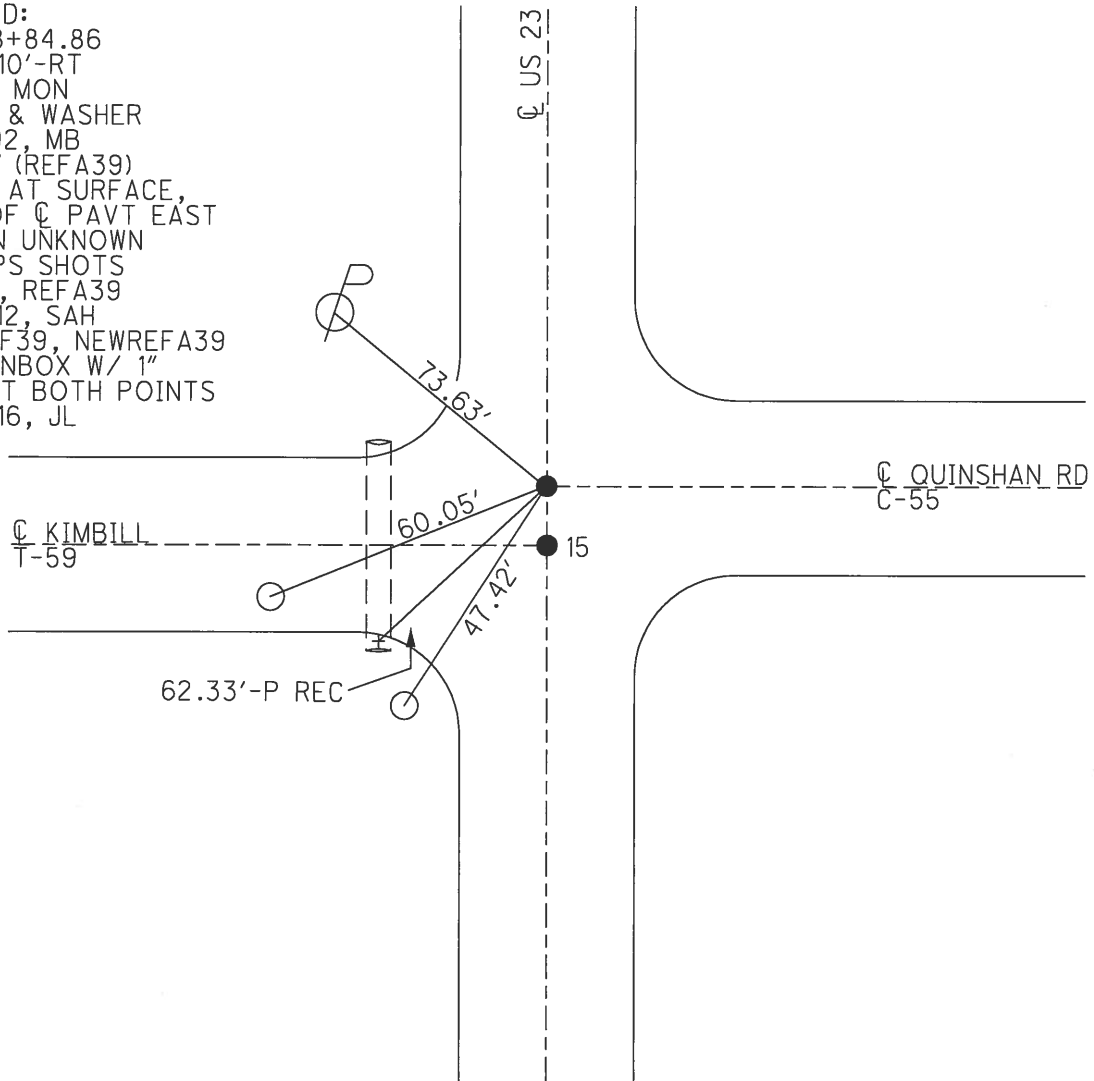
PERSONNEL _____ REFERENCE NO. 15 A SHEET 22 OF 51
NOTES RHOADES DATE 4-21-14 ROUTE US 23
H.C. ROUSOS WEATHER CLOUDY COUNTY SANDUSKY
R.C. GABLE TEMP. 62° TOWNSHIP MADISON
HOMAN SECTION 30
T 5 N R 13 E

TYPE MONUMENT _____ P.K. NAIL/WASHER
ON SURFACE - ~~BELOW~~ _____ ON _____
LEFT - ☉ PAV'T - RIGHT _____ ON _____
12.6 TO RT EDGE PAVEMENT
S.L.M. 370+87



Grid: Northing: 616707.789 Easting: 1716759.726

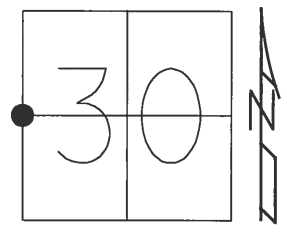
RECORD:
PI 688+84.86
 $\Delta=0^\circ-10'-RT$
BRASS MON
FD PK & WASHER
4-14-92, MB
PT "B" (REFA39)
FD PK AT SURFACE,
3' N OF ☉ PAVT EAST
ORIGIN UNKNOWN
FD, GPS SHOTS
REF39, REFA39
11-29-12, SAH
NEWREF39, NEWREFA39
FD MONBOX W/ 1"
IPIN AT BOTH POINTS
10-17-16, JL



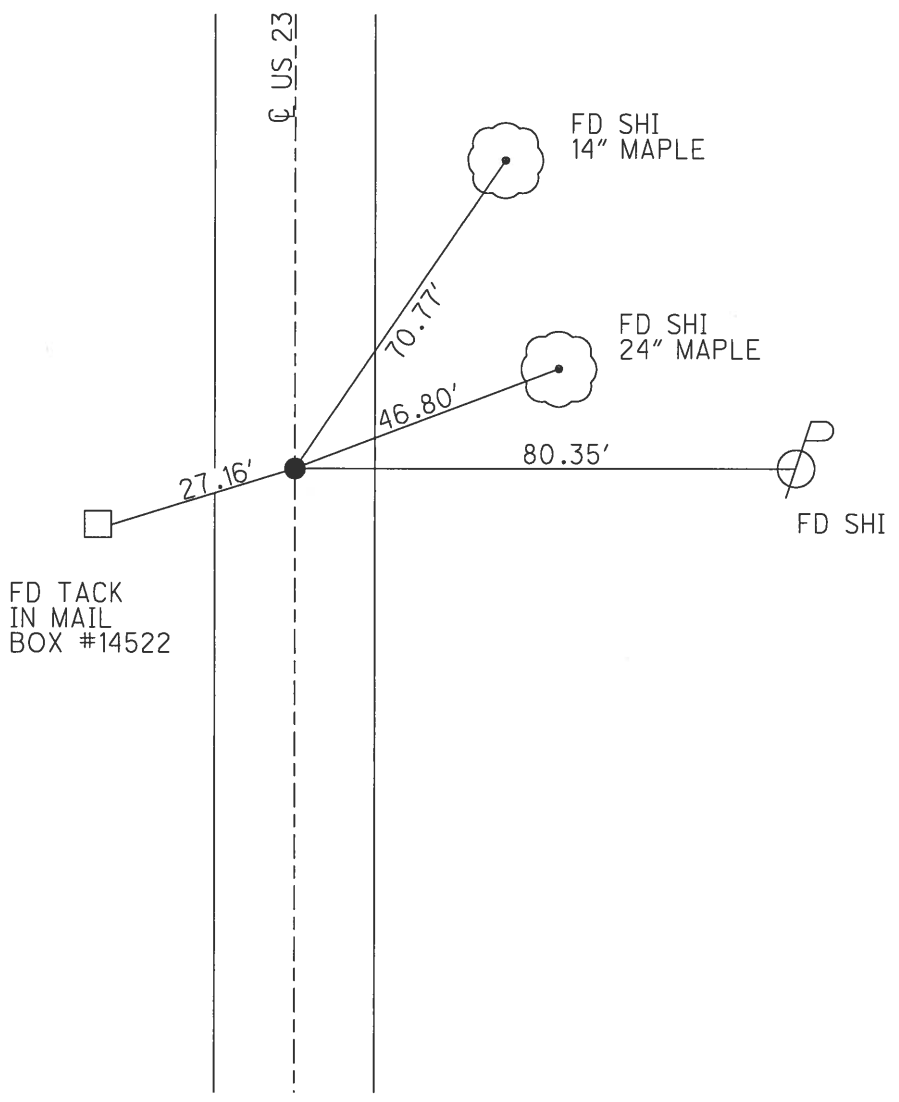
O.D.O.T. DISTRICT 2 SURVEY OFFICE (USE ONLY)

PERSONNEL	REFERENCE NO.	<u>16</u>	SHEET	<u>23</u>	OF	<u>51</u>
NOTES	<u>RHOADES</u>	DATE	<u>4-21-14</u>	ROUTE	<u>US 23</u>	
H.C.	<u>ROUSOS</u>	WEATHER	<u>CLOUDY</u>	COUNTY	<u>SANDUSKY</u>	
R.C.	<u>GABLE</u>	TEMP.	<u>62°</u>	TOWNSHIP	<u>MADISON</u>	
	<u>HOMAN</u>			SECTION	<u>30</u>	
				T <u>5</u> N	R <u>13</u> E	

TYPE MONUMENT MONBOX
~~ON SURFACE~~ - BELOW 3"
 LEFT - ☉ PAV'T - RIGHT ON
12 TO W EDGE PAVEMENT
 S.L.M. 397+17
 Grid: Northing: 619336.325 Easting: 1716834.265



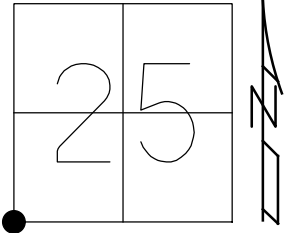
RECORD:
 PI 715+23.40
 $\Delta=0^{\circ}-03'$ LT
 BRASS MON
 SET PK & WASHER
 4-14-92, MB
 REF40
 FD BRASS MON
 BOX 3" DOWN
 N-619336.338
 E-1716834.238
 EL-670.075
 12/13/12, MC
 NEWREF40
 FD MON BOX W/ 2"
 OD SHAFT OF MOBORA
 MON (NO DISK)
 10-17-16, JLL



O.D.O.T. DISTRICT 2 SURVEY OFFICE (USE ONLY)

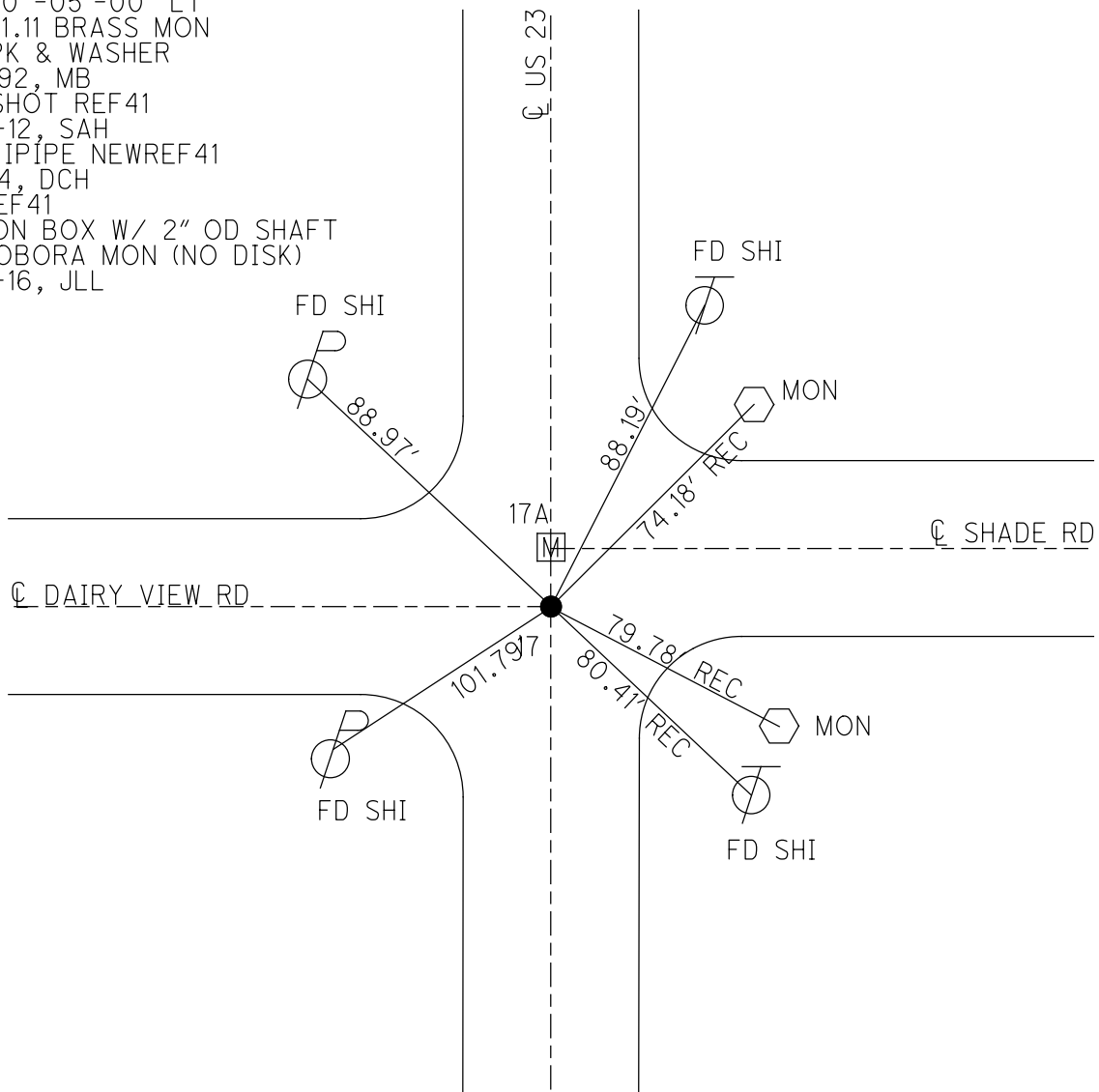
PERSONNEL _____ REFERENCE NO. 17 SHEET 24 OF 51
 NOTES RHOADES DATE 4-21-14 ROUTE US 23
 H.C. ROUSOS WEATHER CLOUDY COUNTY SANDUSKY
 R.C. GABLE TEMP. 62° TOWNSHIP MADISON
 _____ HOMAN _____ SECTION 19
 _____ T 5 N R 13 E

TYPE MONUMENT _____ BRASS MON
~~ON SURFACE~~ - BELOW _____ 1.5"
 LEFT - ☉ PAV'T - RIGHT _____ ON _____
12.5 TO E EDGE PAVEMENT
 S.L.M. _____ 423+55
 Grid: Northing: 621973.190 Easting: 1716906.371



RECORD:
 PI Δ=0°-05'-00" LT
 741+61.11 BRASS MON
 SET PK & WASHER
 4-14-92, MB
 GPS SHOT REF41
 11-30-12, SAH
 FD 1" IPIPE NEWREF41
 8-5-14, DCH
 NEWREF41
 FD MON BOX W/ 2" OD SHAFT
 OF MOBORA MON (NO DISK)
 10-17-16, JLL

DIST. B/W REF17-REFA17 = 9.40'

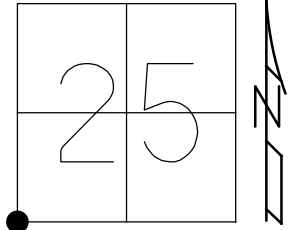


O.D.O.T. DISTRICT 2 SURVEY OFFICE (USE ONLY)

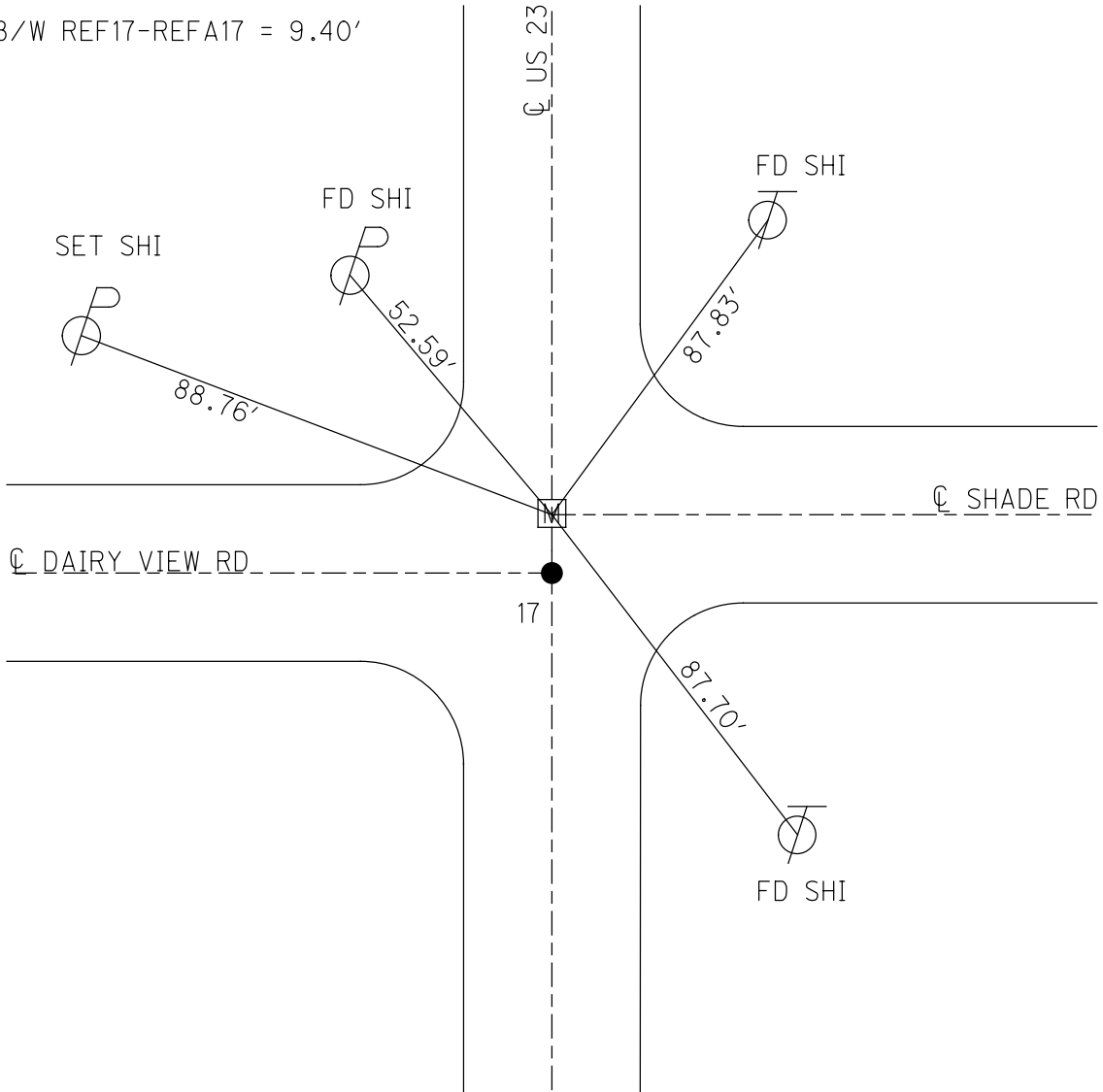
PERSONNEL _____ REFERENCE NO. 17 A SHEET 25 OF 51
 NOTES AUBLE DATE 12-27-2019 ROUTE US 23
 H.C. LEU WEATHER CLOUDY/WINDY COUNTY SANDUSKY
 R.C. NIESE TEMP. 55°F TOWNSHIP MADISON
 _____ SECTION 25
 DWG BY AUBLE PID - T 5 N R 13 E

TYPE MONUMENT MON BOX 3/4" IPIN
 ON SURFACE - BELOW ON
 OFFSET C PAVEMENT - LT : RT
- TO - EDGE PAVEMENT
 STATION: 423+65

HORZ. DATUM: - GEOID: -
 GRID: NORTHING: 621982.5636 EASTING: 1716906.4933



DIST. B/W REF17-REFA17 = 9.40'



O.D.O.T. DISTRICT 2 SURVEY OFFICE (USE ONLY)

PERSONNEL _____ REFERENCE NO. 17 B SHEET 26 OF 51

NOTES RHOADES DATE 4-21-14 ROUTE US 23
H.C. ROUSOS WEATHER CLOUDY COUNTY SANDUSKY
R.C. GABLE TEMP. 62° TOWNSHIP MADISON
HOMAN SECTION 19
T 5 N R 13 E

TYPE MONUMENT _____ P.K. NAIL SHANK _____

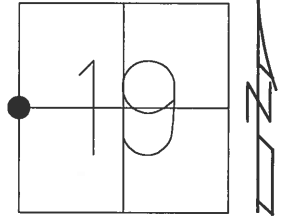
~~ON SURFACE~~ - BELOW 1"

LEFT - ☑ PAV'T - RIGHT ON

11.9 TO LT EDGE PAVEMENT

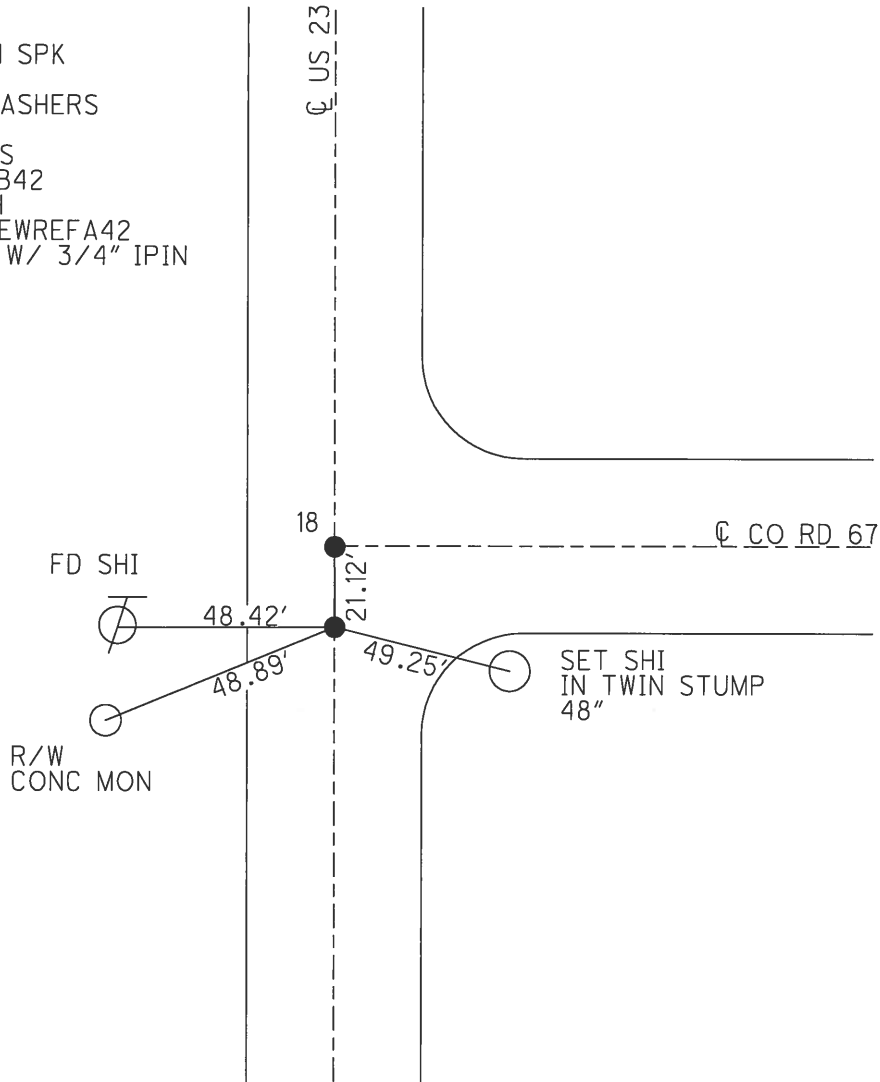
S.L.M. 449+89

Grid: Northing: 624606.691 Easting: 1716974.343



RECORD:

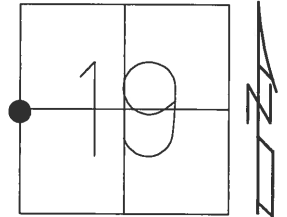
POT
SHANK OF SM SPK
767+95.44
SET PKS & WASHERS
4-14-93, MB
FD, SHOT GPS
REFA42, REFB42
11-30-12, SAH
NEWREF42, NEWREFA42
FD MON BOX W/ 3/4" IPIN
10-17-16, JLL



O.D.O.T. DISTRICT 2 SURVEY OFFICE (USE ONLY)

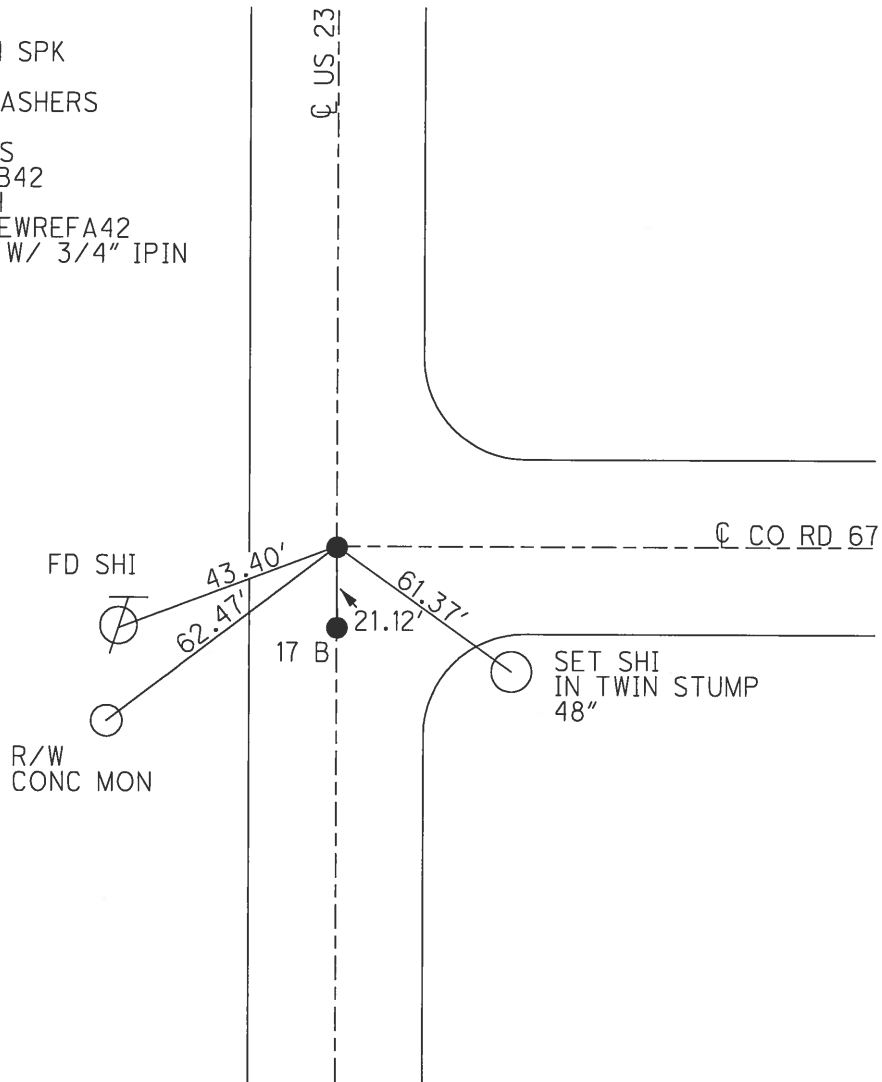
PERSONNEL _____ REFERENCE NO. 18 SHEET 27 OF 51
 NOTES RHOADES DATE 4-21-14 ROUTE US 23
 H.C. ROUSOS WEATHER CLOUDY COUNTY SANDUSKY
 R.C. GABLE TEMP. 62° TOWNSHIP MADISON
 _____ HOMAN _____ SECTION 19
 T 5 N R 13 E

TYPE MONUMENT _____ P.K. NAIL/WASHER
 ON SURFACE - ~~BELOW~~ _____ ON _____
 LEFT - ☉ PAV'T - RIGHT _____ ON _____
11.9 TO LT EDGE PAVEMENT
 S.L.M. 450+10



Grid: Northing: 624627.717 Easting: 1716974.941

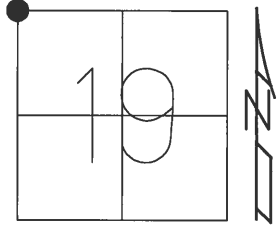
RECORD:
 POT
 SHANK OF SM SPK
 767+95.44
 SET PKS & WASHERS
 4-14-93, MB
 FD, SHOT GPS
 REFA42, REFB42
 11-30-12, SAH
 NEWREF42, NEWREFA42
 FD MON BOX W/ 3/4" IPIN
 10-17-16, JLL



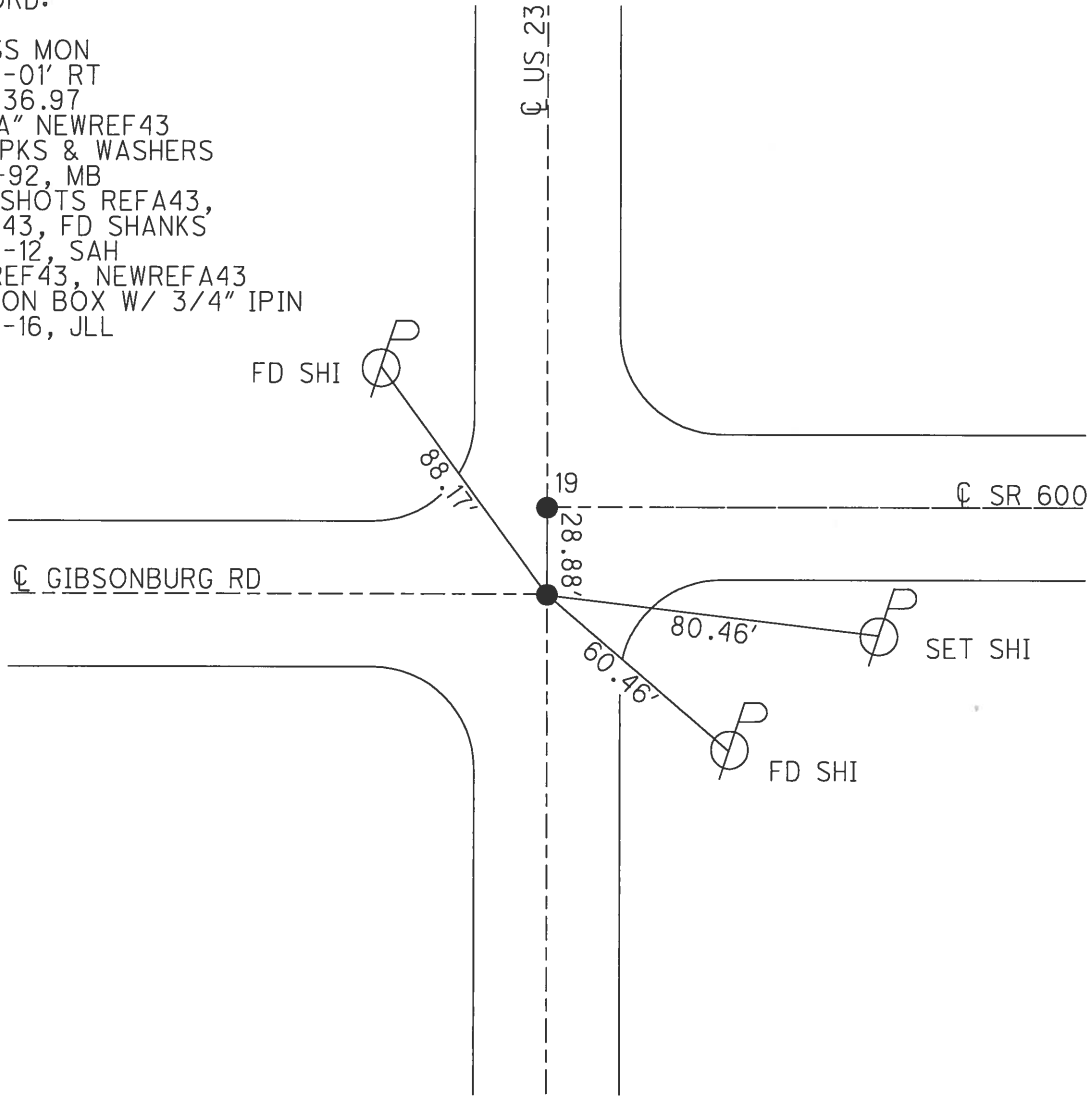
O.D.O.T. DISTRICT 2 SURVEY OFFICE (USE ONLY)

PERSONNEL	REFERENCE NO.	18 A	SHEET	28 OF	51
NOTES	RHOADES	DATE	4-21-14	ROUTE	US 23
H.C.	ROUSOS	WEATHER	CLOUDY	COUNTY	SANDUSKY
R.C.	GABLE	TEMP.	62°	TOWNSHIP	MADISON
	HOMAN			SECTION	19
				T	5 N R 12 E

TYPE MONUMENT BRASS MON
~~ON SURFACE~~ - BELOW 2"
 LEFT - ☉ PAV'T - RIGHT ON
12.5 TO RT EDGE PAVEMENT
 S.L.M. 476+31
 Grid: Northing: 627247.283 Easting: 1717042.588



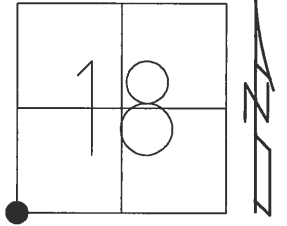
RECORD:
 PI
 BRASS MON
 $\Delta=0^{\circ}-01' RT$
 794+36.97
 PT "A" NEWREF43
 SET PKS & WASHERS
 4-14-92, MB
 GPS SHOTS REFA43,
 REFB43, FD SHANKS
 11-30-12, SAH
 NEWREF43, NEWREFA43
 FD MON BOX W/ 3/4" IPIN
 10-17-16, JLL



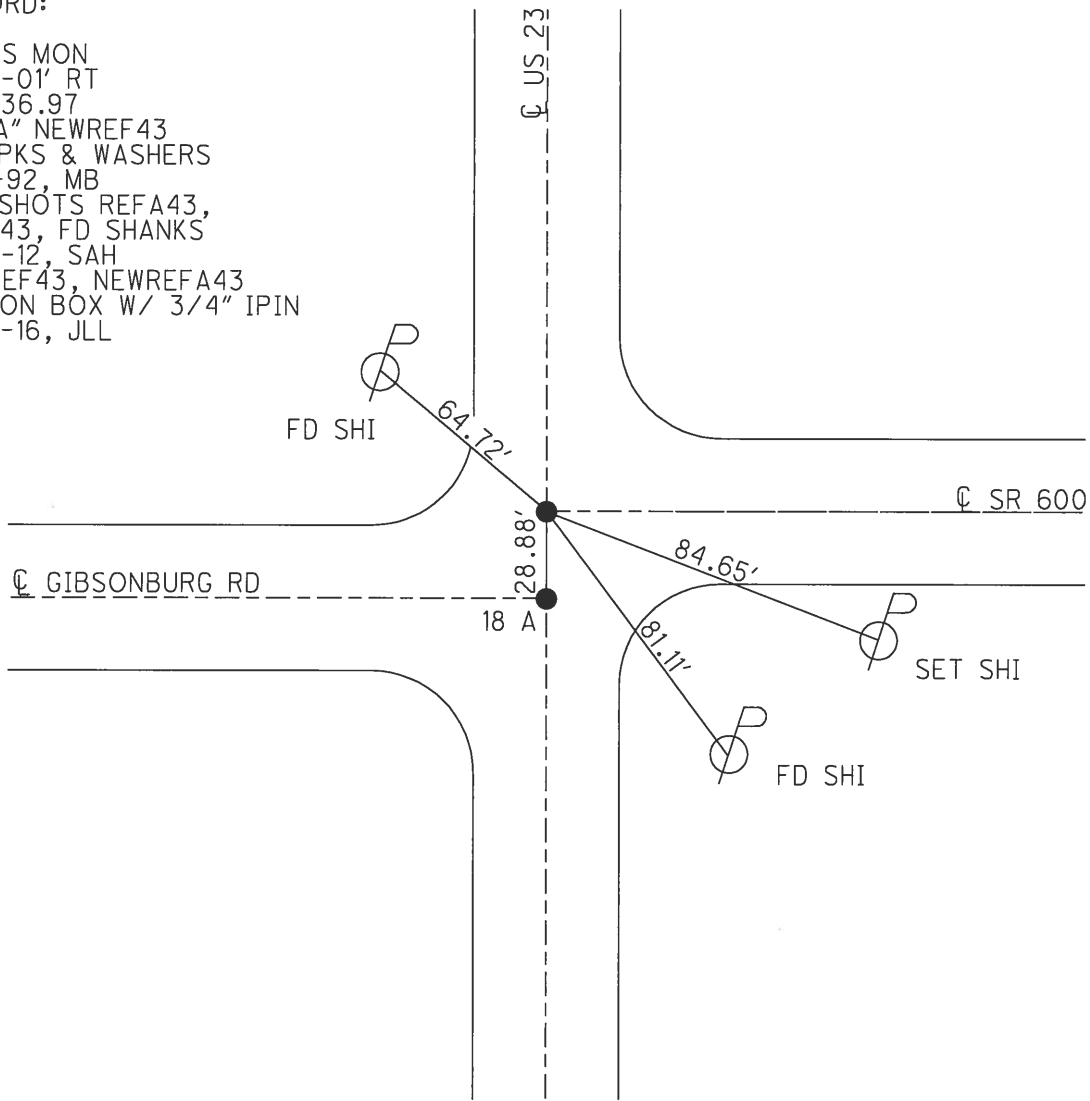
O.D.O.T. DISTRICT 2 SURVEY OFFICE (USE ONLY)

PERSONNEL _____ REFERENCE NO. 19 SHEET 29 OF 51
 NOTES RHOADES DATE 4-21-14 ROUTE US 23
 H.C. ROUSOS WEATHER CLOUDY COUNTY SANDUSKY
 R.C. GABLE TEMP. 62° TOWNSHIP MADISON
 _____ HOMAN _____ SECTION 18
 T 5 N R 13 E

TYPE MONUMENT HARROW TOOTH IPIN
~~ON SURFACE~~ - BELOW 6"
 LEFT - ☉ PAV'T - RIGHT ON
12.5 TO RT EDGE PAVEMENT
 S.L.M. 476+60
 Grid: Northing: 627276.216 Easting: 1717043.356



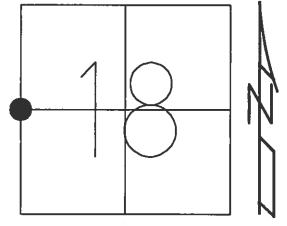
RECORD:
 PI
 BRASS MON
 $\Delta=0^{\circ}-01'$ RT
 794+36.97
 PT "A" NEWREF43
 SET PKS & WASHERS
 4-14-92, MB
 GPS SHOTS REFA43,
 REFB43, FD SHANKS
 11-30-12, SAH
 NEWREF43, NEWREFA43
 FD MON BOX W/ 3/4" IPIN
 10-17-16, JLL



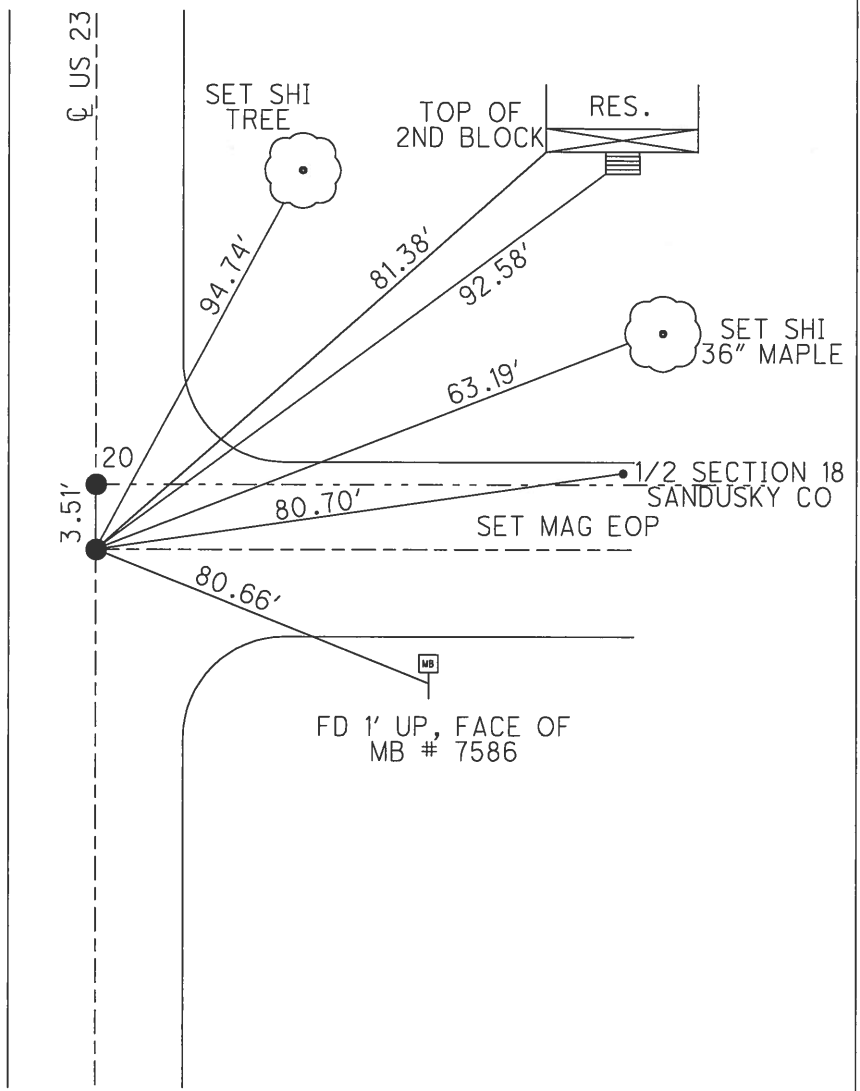
O.D.O.T. DISTRICT 2 SURVEY OFFICE (USE ONLY)

PERSONNEL	REFERENCE NO.	19 A	SHEET	30 OF	51
NOTES	RHOADES	DATE	4-21-14	ROUTE	US 23
H.C.	ROUSOS	WEATHER	CLOUDY	COUNTY	SANDUSKY
R.C.	GABLE	TEMP.	74°	TOWNSHIP	MADISON
	HOMAN			SECTION	18
				T	5 N R 13 E

TYPE MONUMENT BRASS MON
~~ON SURFACE~~ - BELOW 4"
 LEFT - ☉ PAV'T - RIGHT ON
11.2 TO W EDGE PAVEMENT
 S.L.M. 502+67
 Grid: Northing: 629882.421 Easting: 1717111.810



RECORD:
 PI
 820+73
 $\Delta=0^{\circ}-01'$ RT
 BRASS MON
 SET PKS & WASHERS
 4-14-92, MB
 POINT "B" (NEWREFB44)
 FD SPK AT SURFACE
 (ORIGIN UNKNOWN)
 GPS SHOTS REFA44,
 REFB44, FD
 11-30-12, SAH
 NEWREFA44
 FD MON BOX W/
 STONE USED HIGH POINT
 NEWREFB44
 FD MAG NAIL

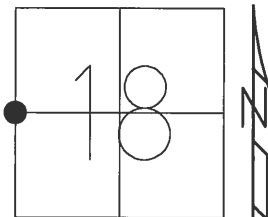


FD 1' UP, FACE OF
 MB # 7586

O.D.O.T. DISTRICT 2 SURVEY OFFICE (USE ONLY)

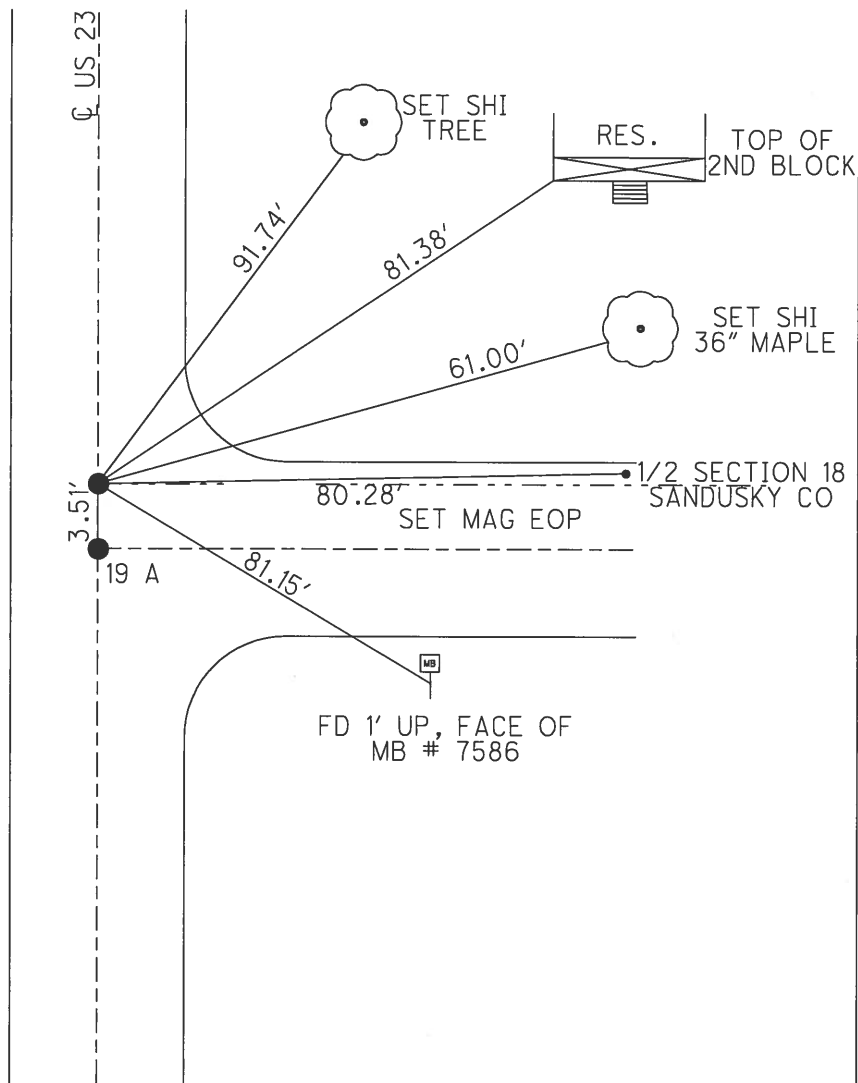
PERSONNEL	REFERENCE NO.	<u>20</u>	SHEET	<u>31</u>	OF	<u>51</u>
NOTES	RHOADES	DATE	<u>4-21-14</u>	ROUTE	<u>US 23</u>	
H.C.	ROUSOS	WEATHER	<u>CLOUDY</u>	COUNTY	<u>SANDUSKY</u>	
R.C.	GABLE	TEMP.	<u>74°</u>	TOWNSHIP	<u>MADISON</u>	
	HOMAN			SECTION	<u>18</u>	
				T	<u>5</u>	N
				R	<u>13</u>	E

TYPE MONUMENT RR.SPIKE
~~ON SURFACE~~ - BELOW 2"
 LEFT - ☉ PAV'T - RIGHT ON
11.2 TO LT EDGE PAVEMENT
 S.L.M. 502+71
 Grid: Northing: 629885.936 Easting: 1717111.906



RECORD:

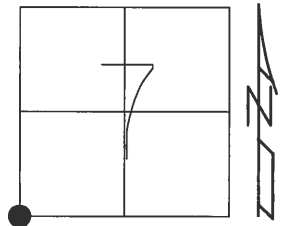
PI
 820+73
 $\Delta=0^{\circ}-01'$ RT
 BRASS MON
 SET PKS & WASHERS
 4-14-92, MB
 POINT "B" (NEWREFB44)
 FD SPK AT SURFACE
 (ORIGIN UNKNOWN)
 GPS SHOTS REFA44,
 REFB44, FD
 11-30-12, SAH
 NEWREFA44
 FD MON BOX W/
 STONE USED HIGH POINT
 NEWREFB44
 FD MAG NAIL



O.D.O.T. DISTRICT 2 SURVEY OFFICE (USE ONLY)

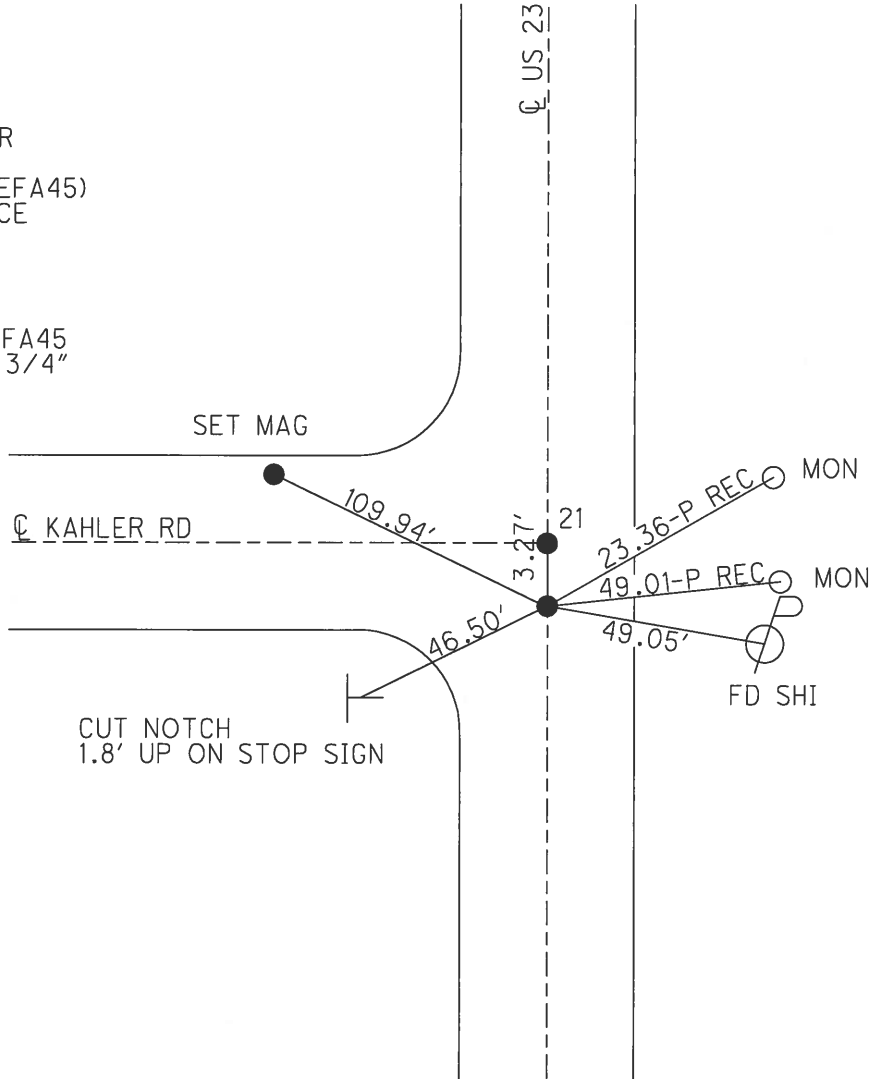
PERSONNEL	REFERENCE NO.	20 A	SHEET	32	OF	51
NOTES	RHOADES	DATE	4-21-14	ROUTE	US 23	
H.C.	ROUSOS	WEATHER	CLOUDY	COUNTY	SANDUSKY	
R.C.	GABLE	TEMP.	74°	TOWNSHIP	MADISON	
	HOMAN			SECTION	7	
				T	5	N
				R	13	E

TYPE MONUMENT RR.SPIKE
~~ON SURFACE~~ - BELOW 1"
 LEFT - ☉ PAV'T - RIGHT ON
12.3 TO RT EDGE PAVEMENT
 S.L.M. 529+01



Grid: Northing: 632514.394 Easting: 1717182.123

RECORD:
 PI
 847+09.43
 Δ=0°-14'-00" LT
 RR SPK
 SET PK & WASHER
 4-15-92, BVD
 POINT "B" (NEWREFA45)
 FD PK AT SURFACE
 ORIGIN UNKNOWN
 GPS SHOTS
 REFA45 REFB45
 12-3-12, SAH
 NEWREF 45 NEWREFA45
 FD MON BOX W/ 3/4"
 IPIN @ BOTH
 10-17-16, JLL



O.D.O.T. DISTRICT 2 SURVEY OFFICE (USE ONLY)

PERSONNEL	REFERENCE NO.	<u>21</u>	SHEET	<u>33</u>	OF	<u>51</u>
NOTES	<u>RHOADES</u>	DATE	<u>4-21-14</u>	ROUTE	<u>US 23</u>	
H.C.	<u>ROUSOS</u>	WEATHER	<u>CLOUDY</u>	COUNTY	<u>SANDUSKY</u>	
R.C.	<u>GABLE</u>	TEMP.	<u>74°</u>	TOWNSHIP	<u>MADISON</u>	
	<u>HOMAN</u>			SECTION	<u>7</u>	
				T	<u>5</u>	N
				R	<u>13</u>	E

TYPE MONUMENT RR.SPIKE

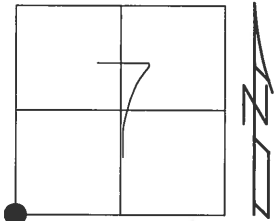
~~ON SURFACE~~ - BELOW 4.5"

LEFT - ☉ PAV'T - RIGHT ON

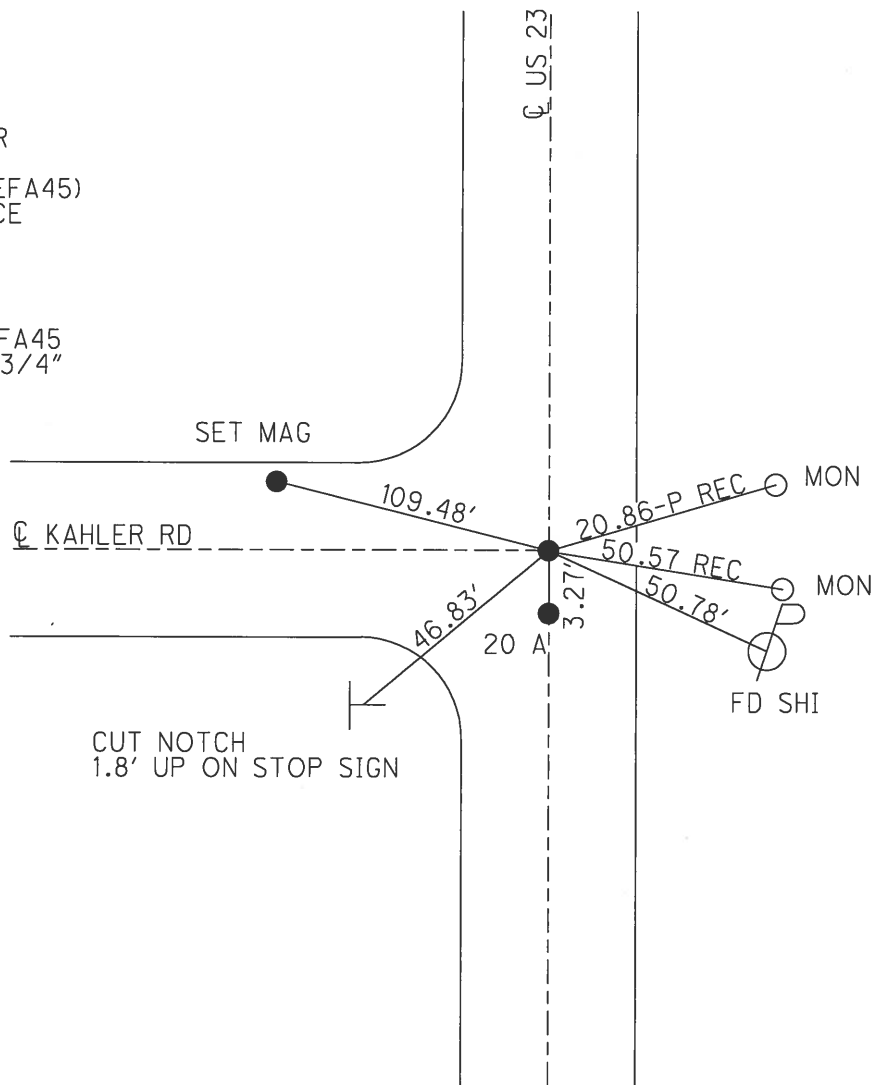
12.3 TO RT EDGE PAVEMENT

S.L.M. 529+04

Grid: Northing: 632517.748 Easting: 1717182.182



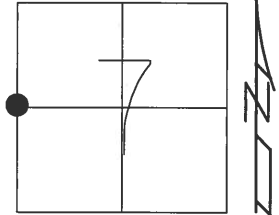
RECORD:
 PI
 847+09.43
 Δ=0°-14'-00" LT
 RR SPK
 SET PK & WASHER
 4-15-92, BVD
 POINT "B" (NEWREFA45)
 FD PK AT SURFACE
 ORIGIN UNKNOWN
 GPS SHOTS
 REFA45 REFB45
 12-3-12, SAH
 NEWREF45 NEWREFA45
 FD MON BOX W/ 3/4"
 IPIN @ BOTH
 10-17-16, JLL



O.D.O.T. DISTRICT 2 SURVEY OFFICE (USE ONLY)

PERSONNEL	REFERENCE NO.	21 A	SHEET	34	OF	51
NOTES	RHOADES	DATE	4-21-14	ROUTE	US 23	
H.C.	ROUSOS	WEATHER	CLOUDY	COUNTY	SANDUSKY	
R.C.	GABLE	TEMP.	74°	TOWNSHIP	WOODVILLE	
	HOMAN			SECTION	7	
				T	6	N
				R	13	E

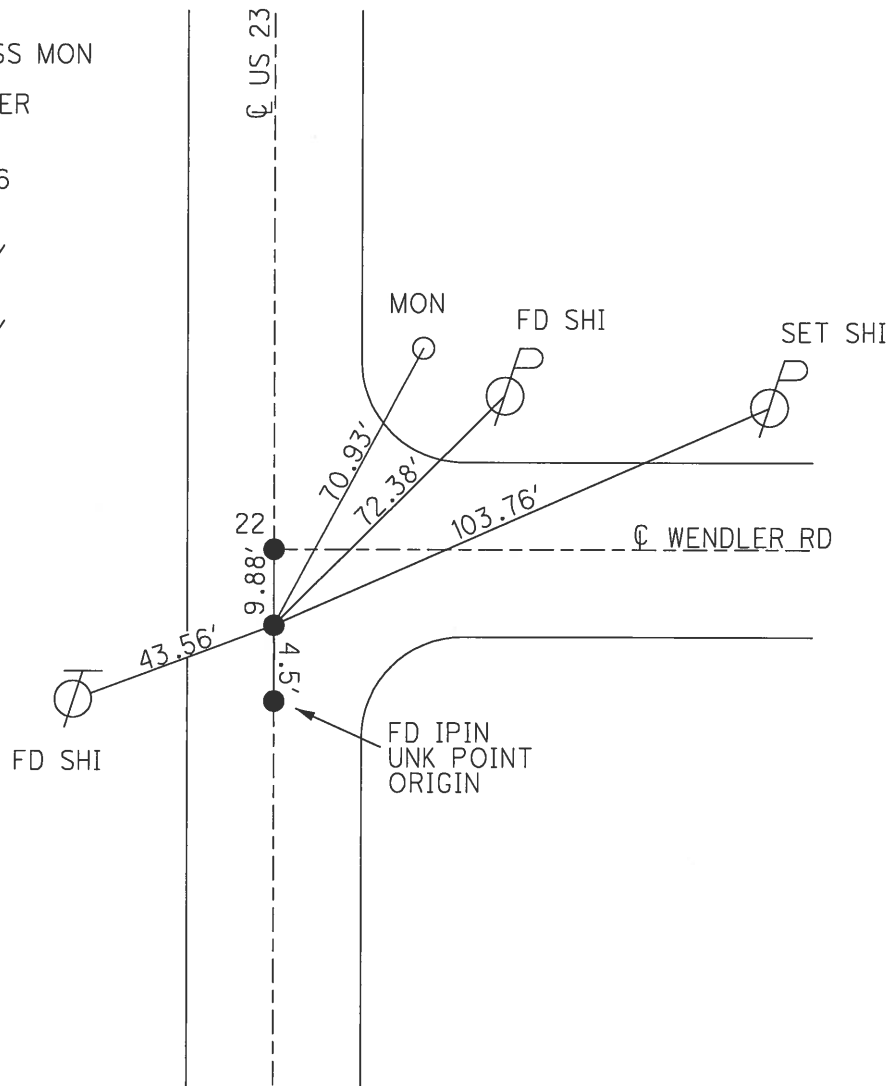
TYPE MONUMENT _____ P.K. NAIL/WASHER _____
~~ON SURFACE~~ - BELOW _____ 3" _____
 LEFT - \odot PAV'T - RIGHT _____ ON _____
 11.8 TO W EDGE PAVEMENT _____
 S.L.M. _____ 555+41 _____



Grid: Northing: 635153.809 Easting: 1717242.255

RECORD:

PI
 873+46.14 BRASS MON
 $\Delta=0^{\circ}-11'$ RT
 SET PK & WASHER
 4-15-92, BVD
 FD, GPS SHOTS
 REFA46, REFB46
 12-3-12, SAH
 NEWREF46
 FD MON BOX W/
 MOBORA MON
 NEWREFA46
 FD MON BOX W/
 3/4" IPIN
 10-17-16, JLL



O.D.O.T. DISTRICT 2 SURVEY OFFICE (USE ONLY)

PERSONNEL	REFERENCE NO.	<u>22</u>	SHEET	<u>35</u>	OF	<u>51</u>
NOTES	<u>RHOADES</u>	DATE	<u>4-21-14</u>	ROUTE	<u>US 23</u>	
H.C.	<u>ROUSOS</u>	WEATHER	<u>CLOUDY</u>	COUNTY	<u>SANDUSKY</u>	
R.C.	<u>GABLE</u>	TEMP.	<u>74°</u>	TOWNSHIP	<u>WOODVILLE</u>	
	<u>HOMAN</u>			SECTION	<u>7</u>	
				T <u>6</u> N	R <u>13</u> E	

TYPE MONUMENT _____ P.K. NAIL/WASHER

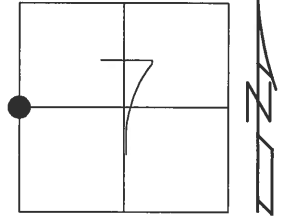
~~ON SURFACE~~ - BELOW _____ 2"

LEFT - \odot PAV'T - RIGHT _____ ON

11.8 TO W EDGE PAVEMENT

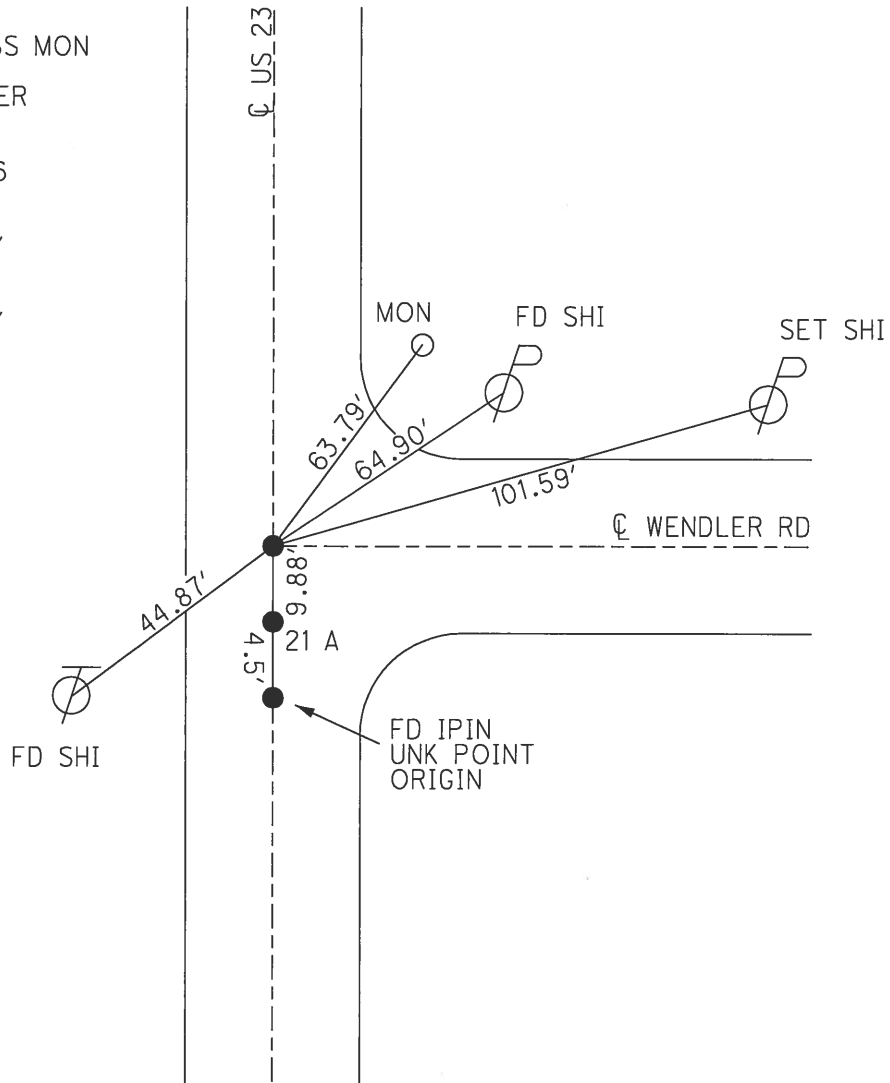
S.L.M. _____ 555+51

Grid: Northing: 635163.847 Easting: 1717242.557



RECORD:

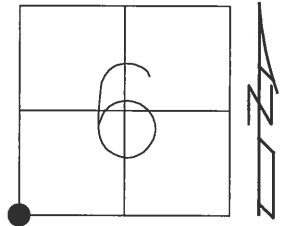
PI
 873+46.14 BRASS MON
 $\Delta=0^{\circ}-11'$ RT
 SET PK & WASHER
 4-15-92, BVD
 FD, GPS SHOTS
 REFA46, REFB46
 12-3-12, SAH
 NEWREF46
 FD MON BOX W/
 MOBORA MON
 NEWREFA46
 FD MON BOX W/
 3/4" IPIN
 10-17-16, JLL



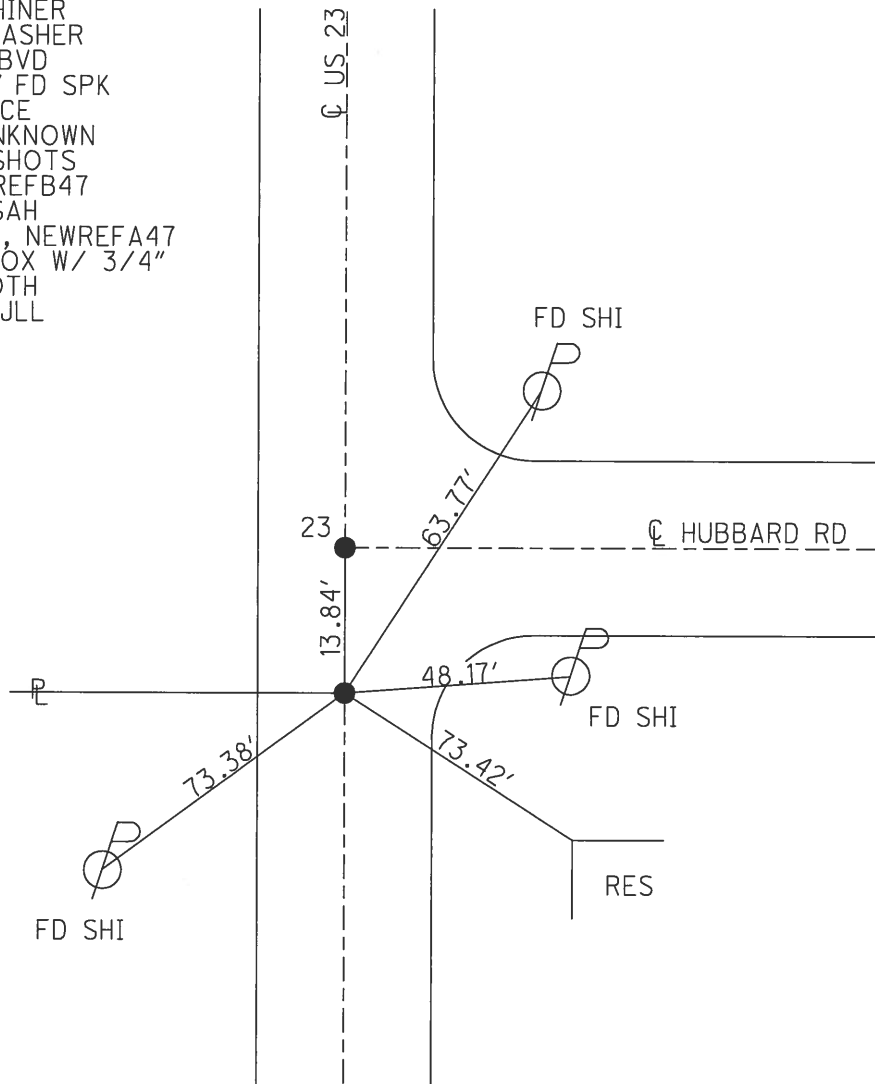
O.D.O.T. DISTRICT 2 SURVEY OFFICE (USE ONLY)

PERSONNEL	REFERENCE NO.	22 A	SHEET	36 OF	51
NOTES	HOMAN	DATE	4-22-14	ROUTE	US 23
H.C.	ROUSOS	WEATHER	CLOUDY	COUNTY	SANDUSKY
R.C.	GABLE	TEMP.	60°	TOWNSHIP	WOODVILLE
				SECTION	6
				T	6 N R 13 E

TYPE MONUMENT _____ RR.SPIKE _____
 ON SURFACE - ~~BELOW~~ _____ ON _____
 LEFT - \odot PAV'T - RIGHT _____ ON _____
 11.9 TO W EDGE PAVEMENT
 S.L.M. _____ 581+90
 Grid: Northing: 637801.888 Easting: 1717310.768



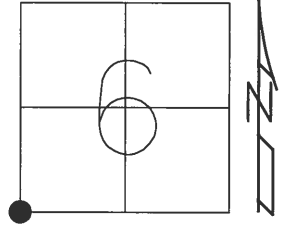
RECORD:
 NAIL & SHINER
 SET PK/WASHER
 4-15-92, BVD
 POINT "B" FD SPK
 AT SURFACE
 ORIGIN UNKNOWN
 FD, GPS SHOTS
 REFA47, REFB47
 12-3-12, SAH
 NEWREF47, NEWREFA47
 FD MON BOX W/ 3/4"
 IPIN @ BOTH
 10-17-16, JLL



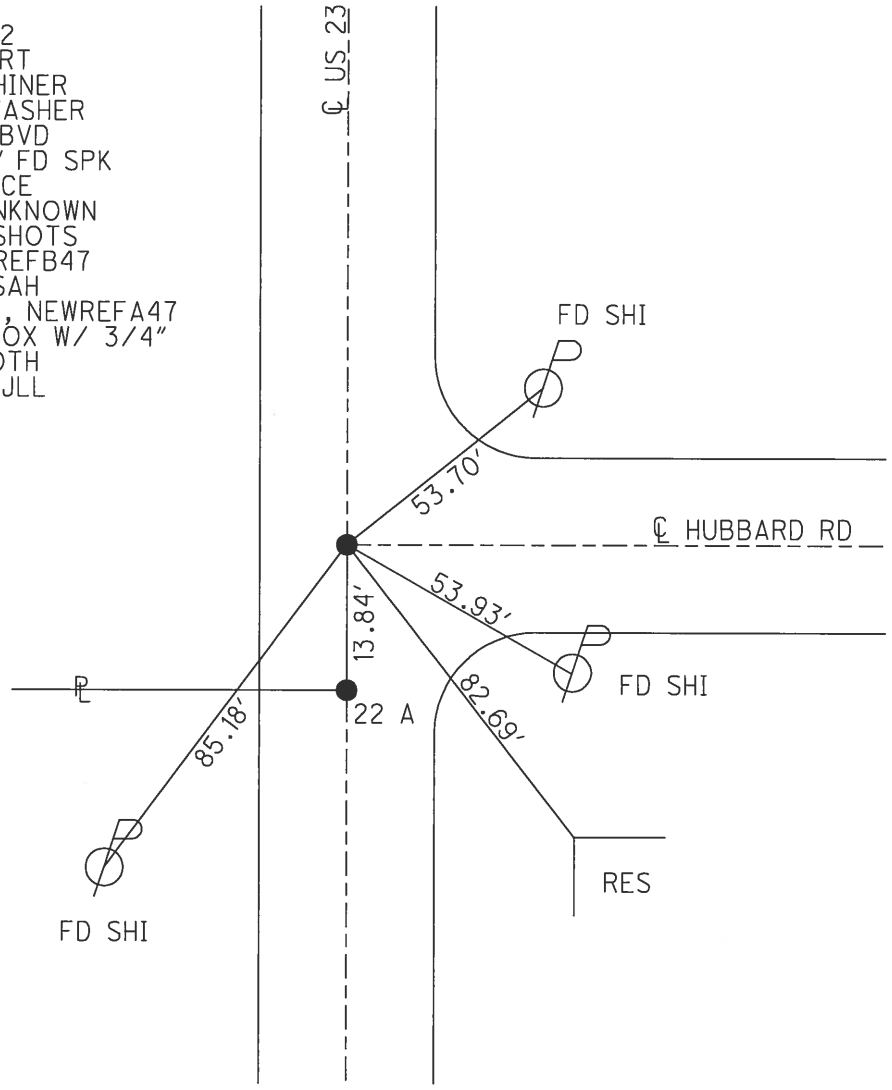
O.D.O.T. DISTRICT 2 SURVEY OFFICE (USE ONLY)

PERSONNEL _____ REFERENCE NO. 23 SHEET 37 OF 51
 NOTES HOMAN DATE 4-22-14 ROUTE US 23
 H.C. ROUSOS WEATHER CLOUDY COUNTY SANDUSKY
 R.C. GABLE TEMP. 60° TOWNSHIP WOODVILLE
 SECTION 6
 T 6 N R 13 E

TYPE MONUMENT _____ P.K. NAIL/WASHER
 ON SURFACE - ~~BELOW~~ _____ ON _____
 LEFT - ☉ PAV'T - RIGHT _____ ON _____
11.9 TO W EDGE PAVEMENT
 S.L.M. 582+04
 Grid: Northing: 637788.095 Easting: 1717310.382



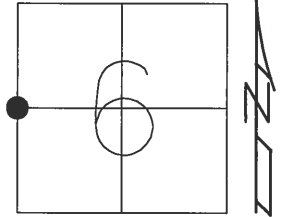
RECORD:
 PI
 899+95.02
 $\Delta=0^{\circ}-12'$ RT
 NAIL & SHINER
 SET PK/WASHER
 4-15-92, BVD
 POINT "B" FD SPK
 AT SURFACE
 ORIGIN UNKNOWN
 FD, GPS SHOTS
 REFA47, REFB47
 12-3-12, SAH
 NEWREF47, NEWREFA47
 FD MON BOX W/ 3/4"
 IPIN @ BOTH
 10-17-16, JLL



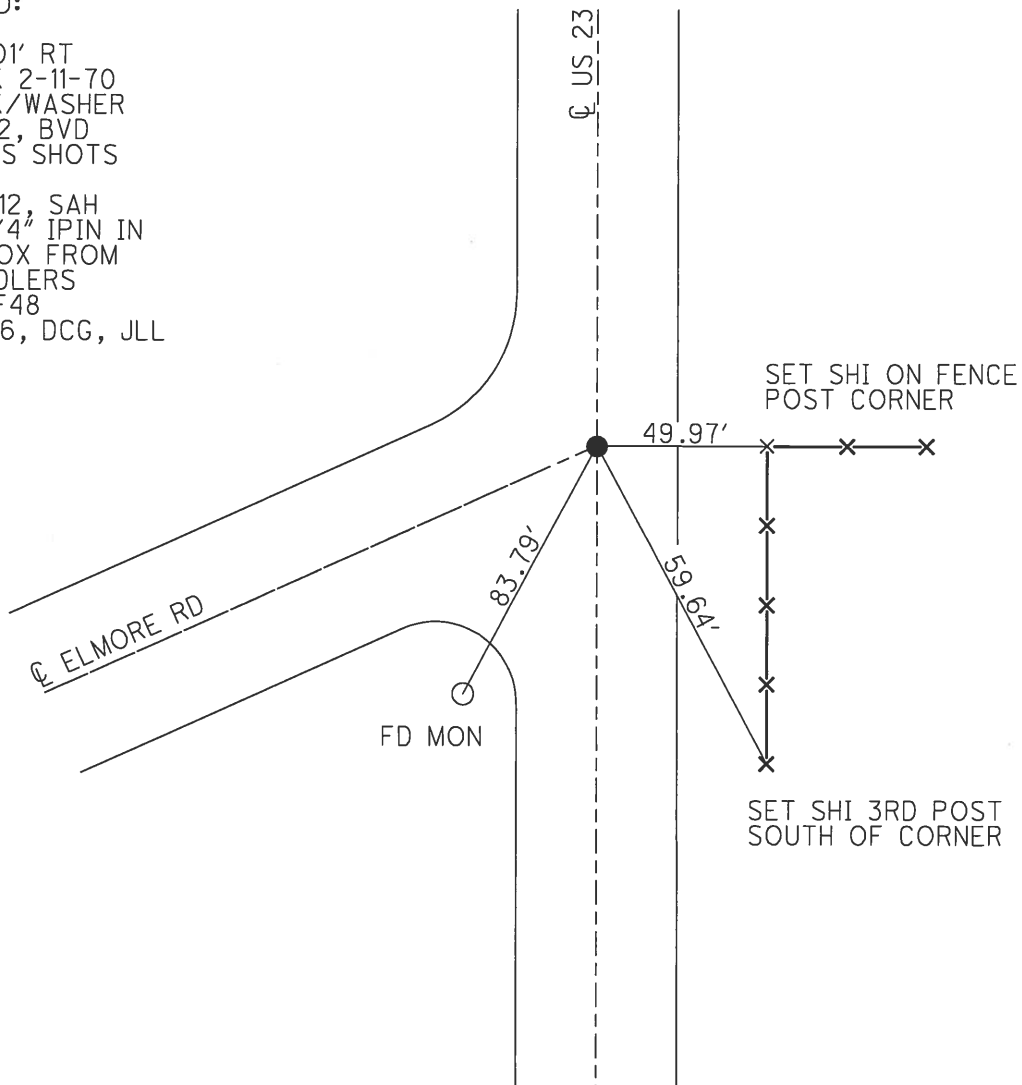
O.D.O.T. DISTRICT 2 SURVEY OFFICE (USE ONLY)

PERSONNEL	REFERENCE NO.	<u>24</u>	SHEET	<u>38</u>	OF	<u>51</u>
NOTES	<u>HOMAN</u>	DATE	<u>4-22-14</u>	ROUTE	<u>US 23</u>	
H.C.	<u>ROUSOS</u>	WEATHER	<u>CLOUDY</u>	COUNTY	<u>SANDUSKY</u>	
R.C.	<u>GABLE</u>	TEMP.	<u>60°</u>	TOWNSHIP	<u>WOODVILLE</u>	
				SECTION	<u>6</u>	
				T	<u>6</u>	R
					<u>N</u>	<u>13</u>
					<u>E</u>	

TYPE MONUMENT RR.SPIKE
~~ON SURFACE~~ - BELOW 1 1/2"
 LEFT - ☉ PAV'T - RIGHT ON
12' TO E EDGE PAVEMENT
 S.L.M. 608+64
 Grid: Northing: 640447.236 Easting: 1717388.551



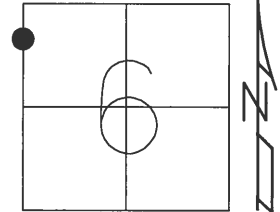
RECORD:
 PI
 Δ=0°-01' RT
 SET PK 2-11-70
 SET PK/WASHER
 4-15-92, BVD
 FD, GPS SHOTS
 REF48
 12-03-12, SAH
 SET 3/4" IPIN IN
 MON BOX FROM
 STRADDLERS
 NEWREF48
 10-19-16, DCG, JLL



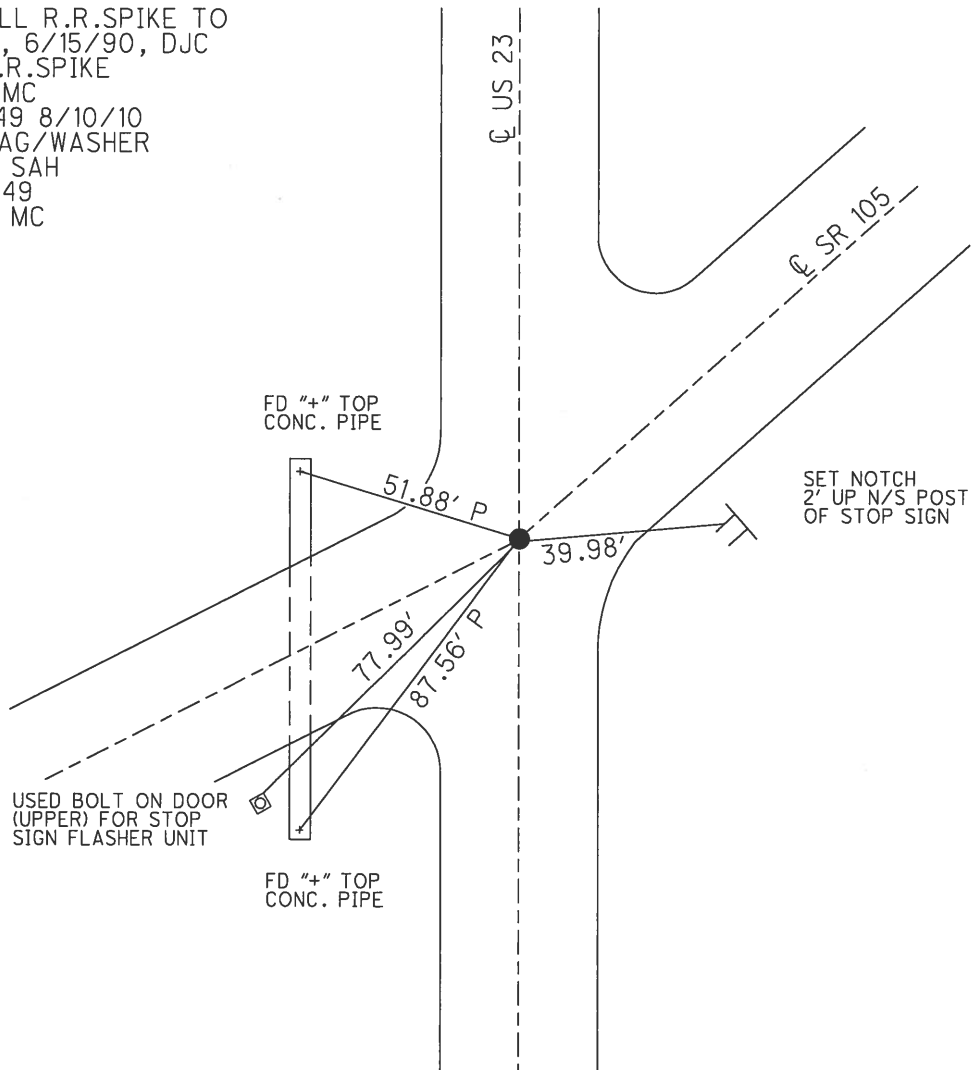
O.D.O.T. DISTRICT 2 SURVEY OFFICE (USE ONLY)

PERSONNEL	REFERENCE NO.	<u>25</u>	SHEET	<u>39</u>	OF	<u>51</u>
NOTES	<u>HUSS</u>	DATE	<u>4/20/12</u>	ROUTE	<u>US 23</u>	
H.C.	<u>CANTERBURY</u>	WEATHER	<u>CLEAR</u>	COUNTY	<u>SANDUSKY</u>	
R.C.	<u>HOMAN</u>	TEMP.	<u>62°</u>	TOWNSHIP	<u>WOODVILLE</u>	
				SECTION	<u>6</u>	
				<u>T 6 N</u>	<u>R 13 E</u>	

TYPE MONUMENT LG RR SPIKE
 ON SURFACE - BELOW 0.3'
 LEFT - CL PAV'T - RIGHT ON
- TO - EDGE PAVEMENT
 S.L.M. 627+94
 GRID: NORTHING: 642375.5 EASTING: 1717446.0



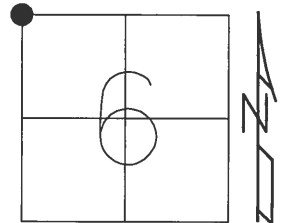
RECORD:
 SET SMALL R.R.SPIKE TO
 SURFACE, 6/15/90, DJC
 FD SM.R.R.SPIKE
 7/2/10, MC
 GPS, CP49 8/10/10
 RESET MAG/WASHER
 12/11/12, SAH
 GPS, FIN49
 3/13/13, MC



O.D.O.T. DISTRICT 2 SURVEY OFFICE (USE ONLY)

PERSONNEL	REFERENCE NO.	<u>26</u>	SHEET	<u>40</u>	OF	<u>51</u>
NOTES	<u>HUSS</u>	DATE	<u>4/20/12</u>	ROUTE	<u>US 23</u>	
H.C.	<u>CANTERBURY</u>	WEATHER	<u>CLEAR</u>	COUNTY	<u>SANDUSKY</u>	
R.C.	<u>HOMAN</u>	TEMP.	<u>62°</u>	TOWNSHIP	<u>WOODVILLE</u>	
				SECTION	<u>6</u>	
				T. <u>6</u> N	R. <u>13</u> E	

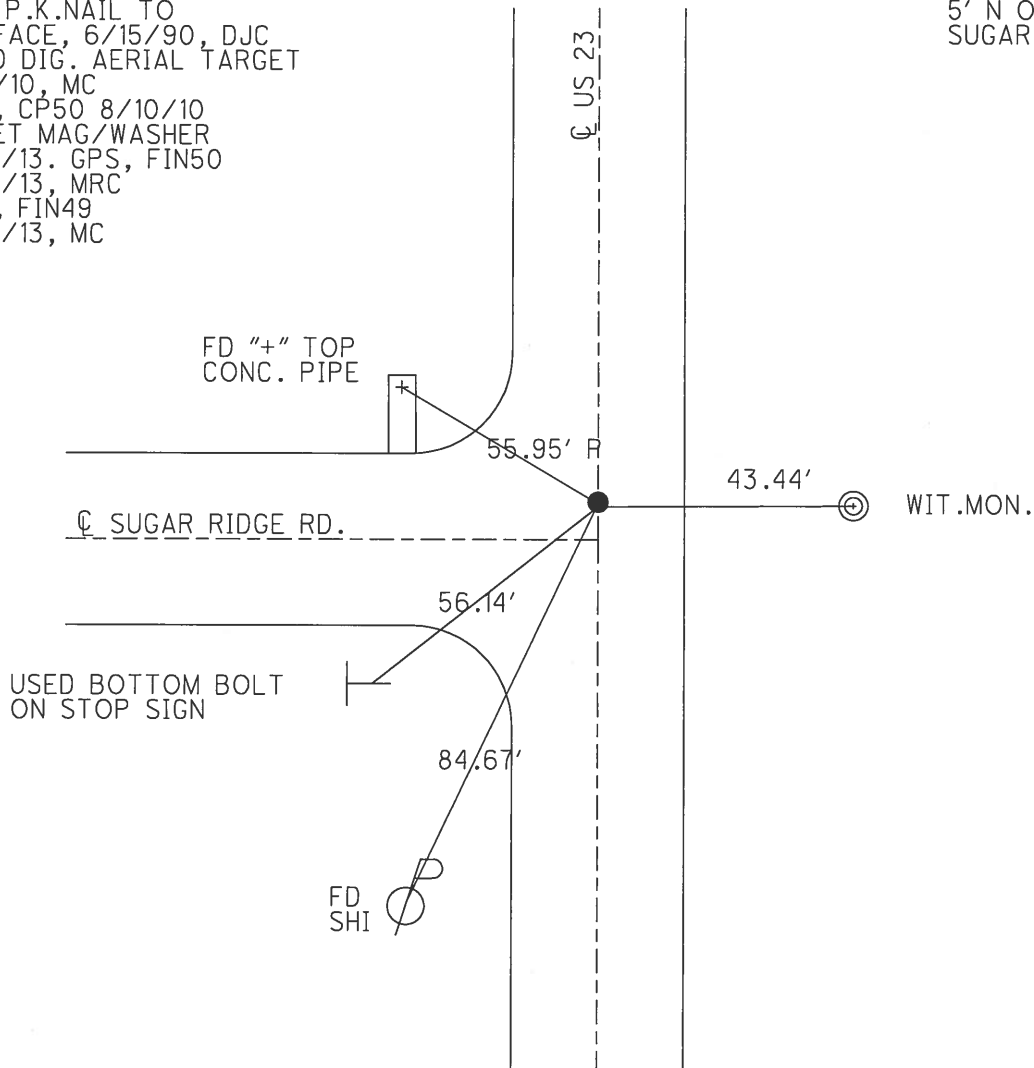
TYPE MONUMENT CAPPED IPIN
 ON SURFACE - BELOW 0.4'
 LEFT - ℄ PAV'T - RIGHT ON
11.6' TO E. EDGE PAVEMENT
 S.L.M. 634+54



GRID: NORTHING: 643035.1 EASTING: 1717466.0

RECORD:
 SET P.K.NAIL TO
 SURFACE, 6/15/90, DJC
 NEED DIG. AERIAL TARGET
 7/2/10, MC
 GPS, CP50 8/10/10
 RESET MAG/WASHER
 3/12/13, GPS, FIN50
 3/13/13, MRC
 GPS, FIN49
 3/13/13, MC

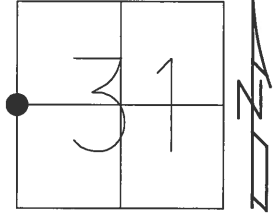
NOTE:
 5' N OF
 SUGAR RIDGE RD ℄



O.D.O.T. DISTRICT 2 SURVEY OFFICE (USE ONLY)

PERSONNEL _____ REFERENCE NO. 26 A SHEET 41 OF 51
 NOTES HUSS DATE 4/20/12 ROUTE US 23
 H.C. CANTERBURY WEATHER CLEAR COUNTY SANDUSKY
 R.C. HOMAN TEMP. 62° TOWNSHIP WOODVILLE
 _____ SECTION 31
 _____ T 6 N R 13 E

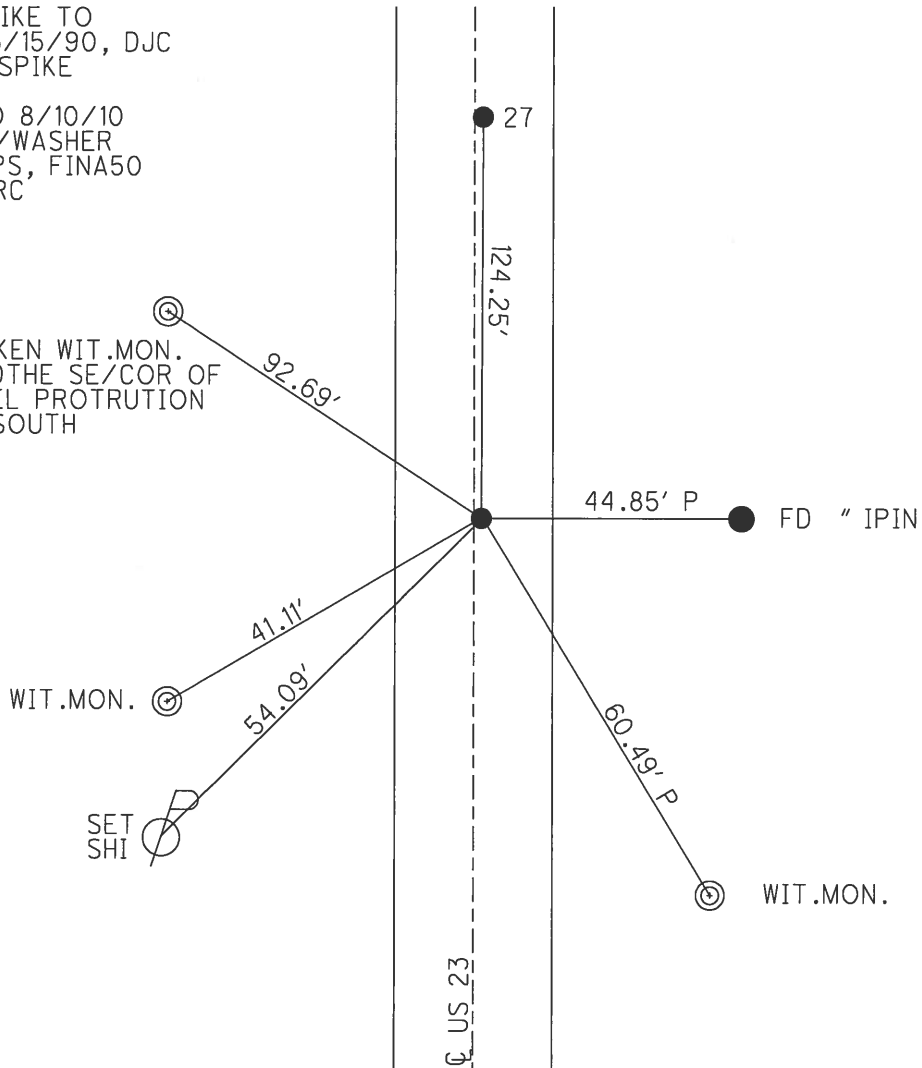
TYPE MONUMENT R.R.SPIKE
 ON SURFACE - BELOW 2"
 LEFT - Q PAV'T - ~~RIGHT~~ 0.7'
10.8' TO LT EDGE PAVEMENT
 S.L.M. 661+22



GRID: NORTHING: 645578.2 EASTING: 1717519.0

RECORD:
 SET R.R.SPIKE TO
 SURFACE, 6/15/90, DJC
 FD SM.R.R.SPIKE
 7/2/10, MC
 GPS, CPA50 8/10/10
 RESET MAG/WASHER
 3/12/13, GPS, FINA50
 3/13/13, MRC

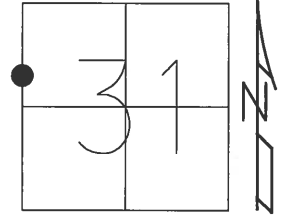
BROKEN WIT.MON.
 USED THE SE/COR OF
 STEEL PROTRUTION
 TO SOUTH



O.D.O.T. DISTRICT 2 SURVEY OFFICE (USE ONLY)

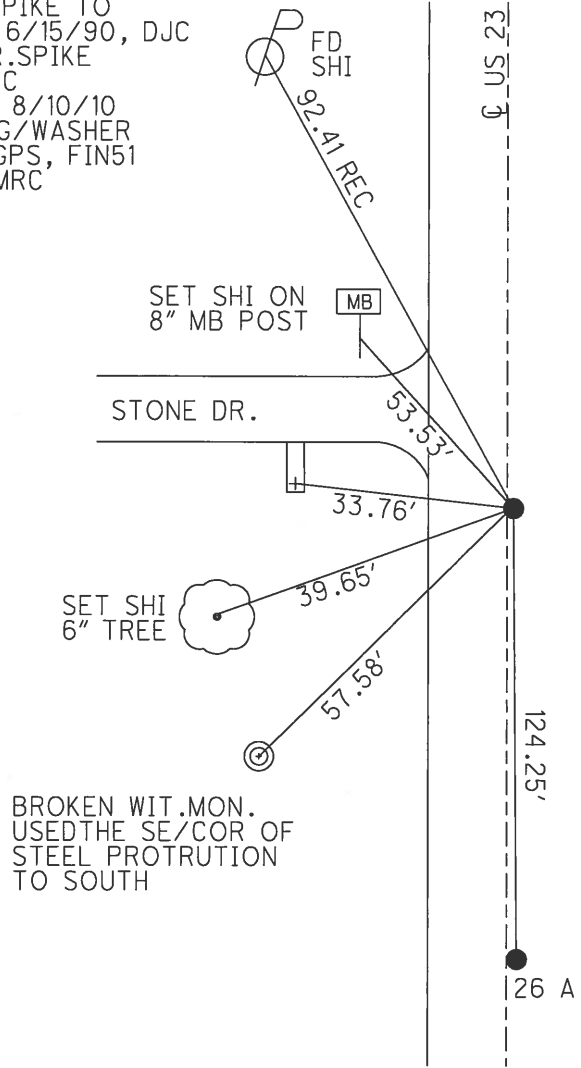
PERSONNEL	REFERENCE NO.	<u>27</u>	SHEET	<u>42</u>	OF	<u>51</u>
NOTES	HUSS	DATE	<u>4/20/12</u>	ROUTE	<u>US 23</u>	
H.C.	<u>CANTERBURY</u>	WEATHER	<u>CLEAR</u>	COUNTY	<u>SANDUSKY</u>	
R.C.	<u>HOMAN</u>	TEMP.	<u>62°</u>	TOWNSHIP	<u>WOODVILLE</u>	
				SECTION	<u>31</u>	
				T	<u>6</u>	N
				R	<u>13</u>	E

TYPE MONUMENT R.R.SPIKE
 ON SURFACE - BELOW 2"
 LEFT - Q PAV'T - ~~RIGHT~~ 0.7'
10.7' TO LT EDGE PAVEMENT
 S.L.M. 662+46



GRID: NORTHING: 645703.3 EASTING: 1717522.0

RECORD:
 SET R.R.SPIKE TO
 SURFACE, 6/15/90, DJC
 FD SM.R.R.SPIKE
 7/2/10, MC
 GPS, CP51 8/10/10
 RESET MAG/WASHER
 3/12/13. GPS, FIN51
 3/13/13, MRC



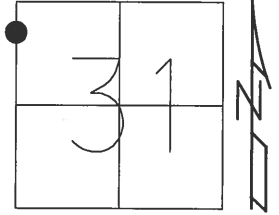
BROKEN WIT.MON.
 USED THE SE/COR OF
 STEEL PROTRUTION
 TO SOUTH

124.25'
 26 A

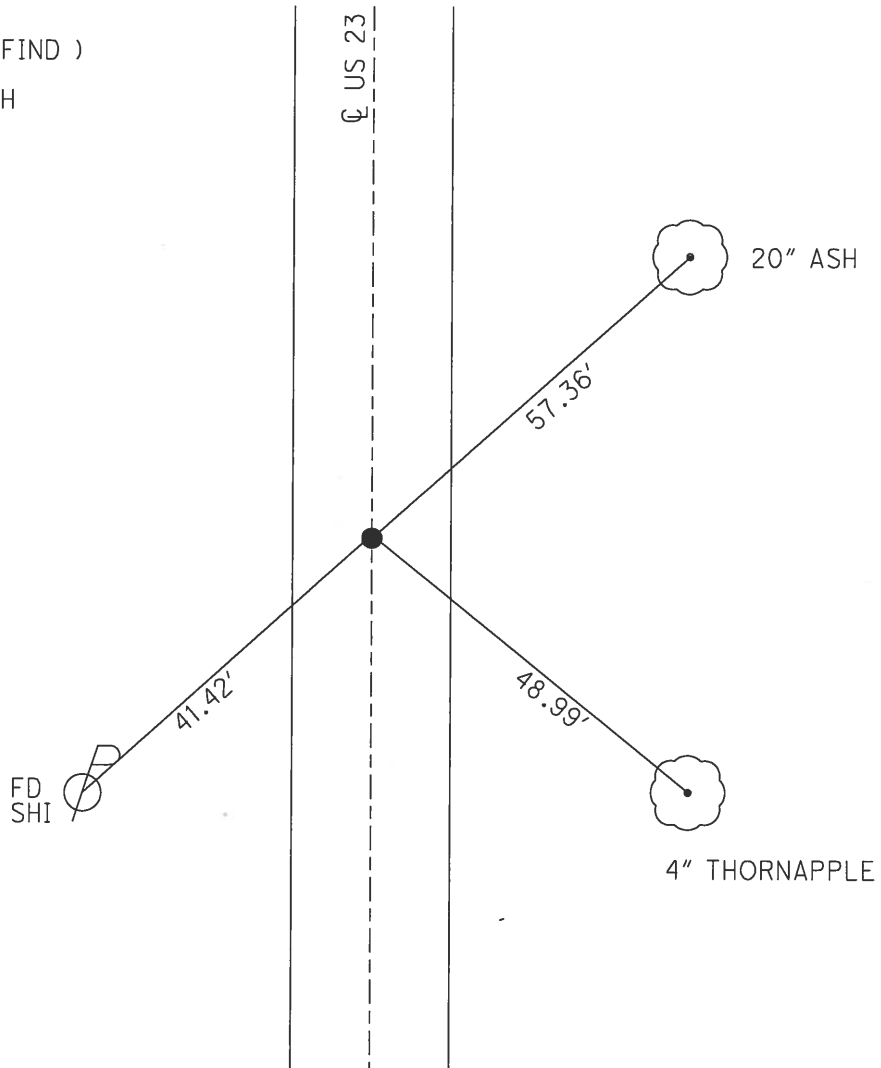
O.D.O.T. DISTRICT 2 SURVEY OFFICE (USE ONLY)

PERSONNEL _____ REFERENCE NO. 28 SHEET 43 OF 51
 NOTES SCHNEIDER DATE 2/11/70 ROUTE US 23
 H.C. MOSSER WEATHER CLOUDY COUNTY SANDUSKY
 R.C. BARBOUR TEMP. 35° TOWNSHIP WOODVILLE
POTTS SECTION 31
 T 6 N R 13 E

TYPE MONUMENT _____ DNF
 ON SURFACE - BELOW _____
 LEFT - Q PAV'T - RIGHT _____
 _____ TO _____ EDGE PAVEMENT
 S.L.M. 674+70
 GRID: NORTHING: _____ EASTING: _____



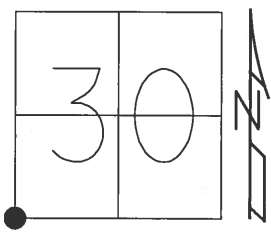
NOTE:
 P.O.T. (DID NOT FIND)
 DNF, 8/10/10, SAH



O.D.O.T. DISTRICT 2 SURVEY OFFICE (USE ONLY)

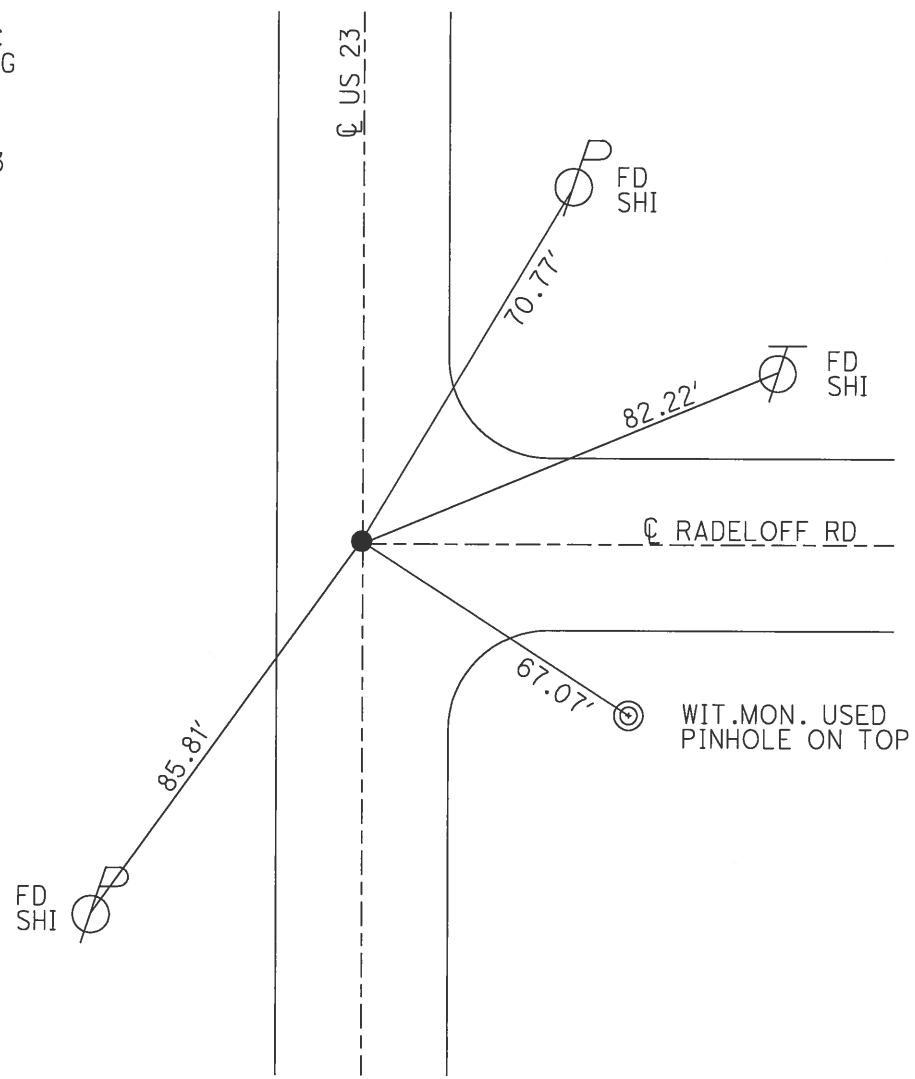
PERSONNEL _____ REFERENCE NO. 28 A SHEET 44 OF 51
 NOTES HUSS DATE 4/20/12 ROUTE US 23
 H.C. CANTERBURY WEATHER CLEAR COUNTY SANDUSKY
 R.C. HOMAN TEMP. 62° TOWNSHIP WOODVILLE
 _____ SECTION 30
 _____ T 6 N R 13 E

TYPE MONUMENT _____ MAG/WASHER _____
 ON SURFACE - BELOW _____
 LEFT - Q PAV'T - RIGHT _____
 _____ TO _____ EDGE PAVEMENT
 S.L.M. 686+16



GRID: NORTHING: 648074.3 EASTING: 1717564.0

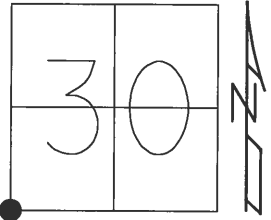
RECORD:
 FD P.K.NAIL 3 "
 DEEP. 6/15/90, DJC
 DNF. WILL SET USING
 EXISTING TIES.
 8/10/10, SAH
 SET MAG/WASHER
 3/12/13. GPS, FIN53
 3/13/13, MRC



O.D.O.T. DISTRICT 2 SURVEY OFFICE (USE ONLY)

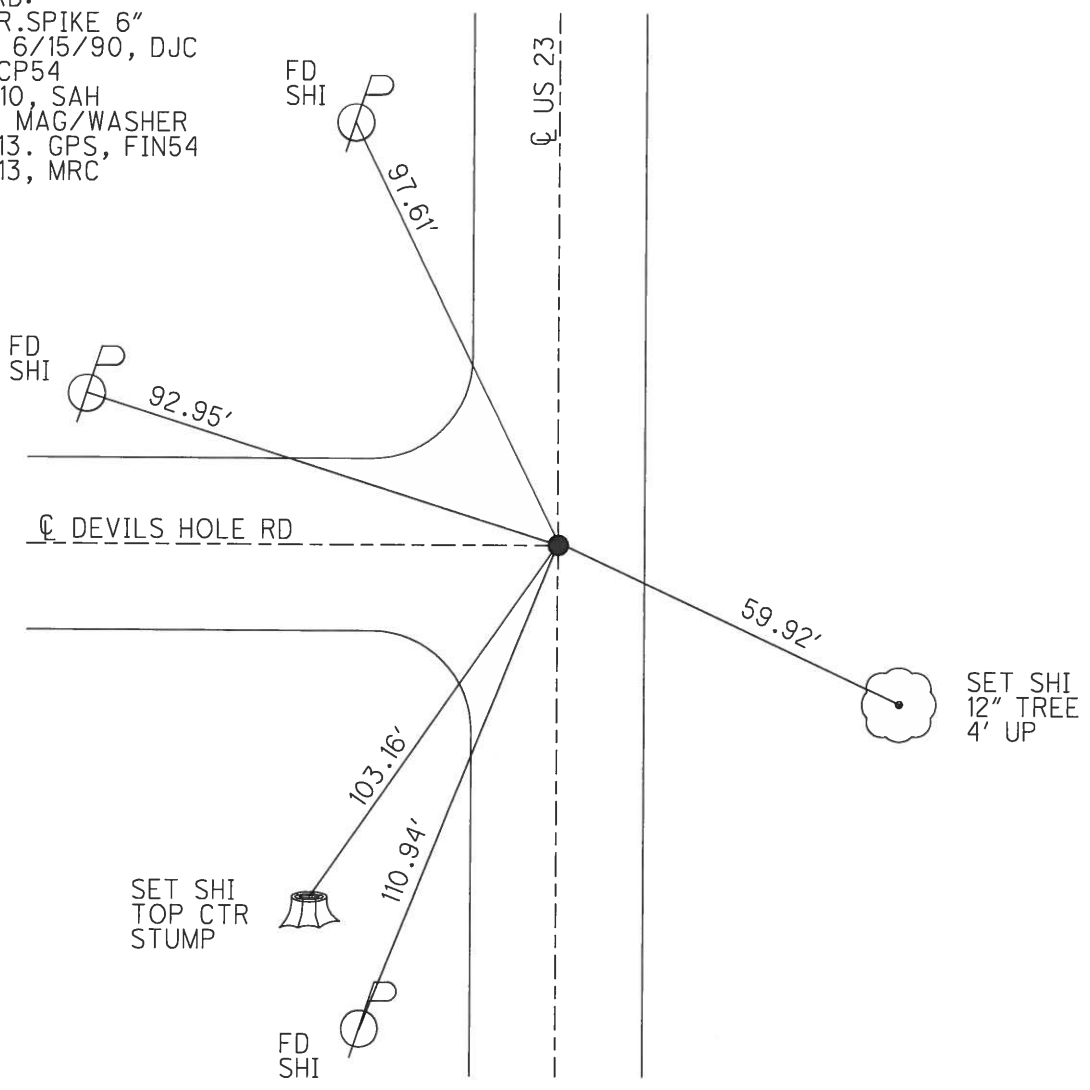
PERSONNEL	REFERENCE NO.	<u>29</u>	SHEET	<u>45</u>	OF	<u>51</u>
NOTES	<u>HUSS</u>	DATE	<u>4/20/12</u>	ROUTE	<u>US 23</u>	
H.C.	<u>CANTERBURY</u>	WEATHER	<u>CLEAR</u>	COUNTY	<u>SANDUSKY</u>	
R.C.	<u>HOMAN</u>	TEMP.	<u>62°</u>	TOWNSHIP	<u>WOODVILLE</u>	
				SECTION	<u>30</u>	
				T	<u>6</u>	R
					<u>N</u>	<u>13</u>
					<u>E</u>	

TYPE MONUMENT SM.R.R.SPIKE
 ON SURFACE - BELOW 0.6'
 LEFT - ☉ PAV'T - RIGHT
11.9' TO E. EDGE PAVEMENT
 S.L.M. 688+49



GRID: NORTHING: 648331.6 EASTING: 1717569.0

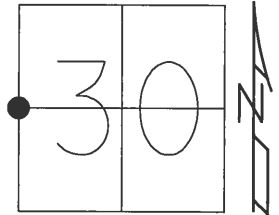
RECORD:
 FD R.R.SPIKE 6"
 DEEP. 6/15/90, DJC
 GPS, CP54
 8/10/10, SAH
 RESET MAG/WASHER
 3/12/13, GPS, FIN54
 3/13/13, MRC



O.D.O.T. DISTRICT 2 SURVEY OFFICE (USE ONLY)

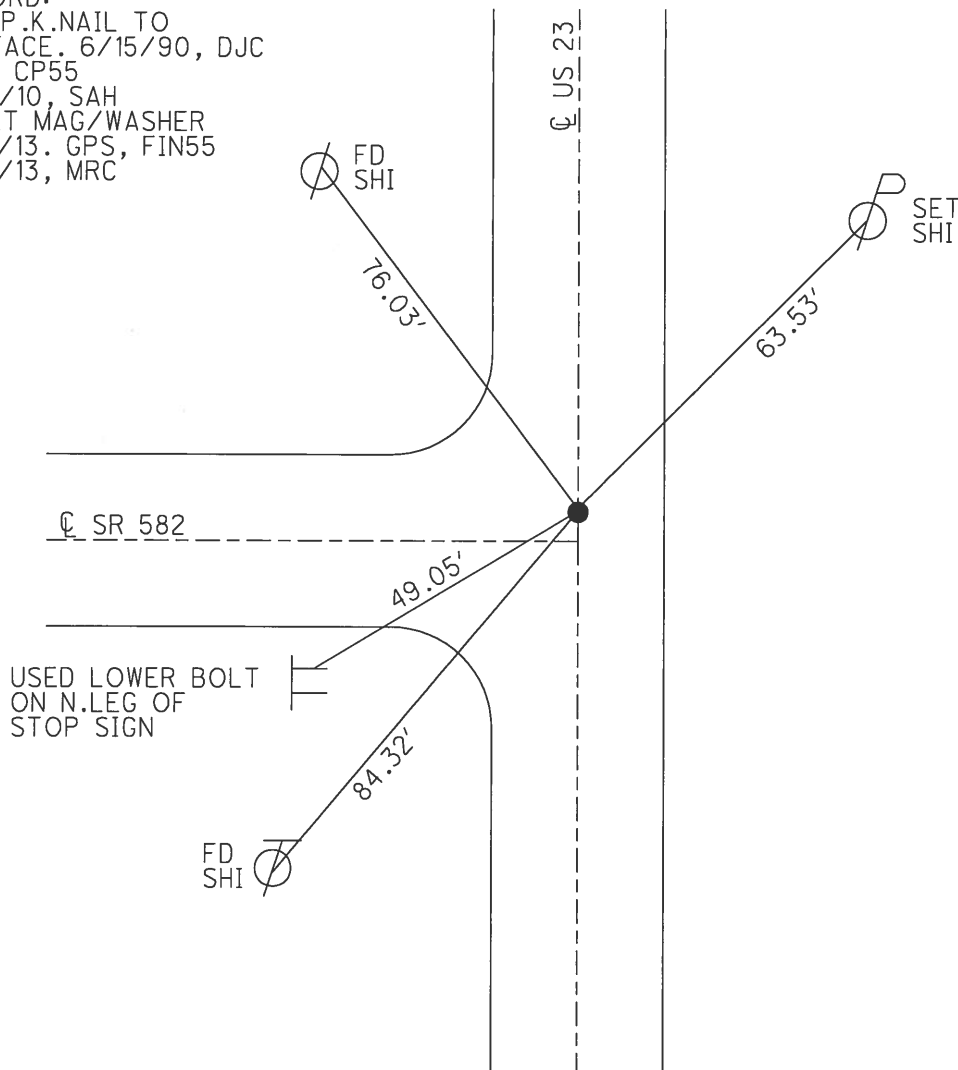
PERSONNEL	REFERENCE NO.	<u>30</u>	SHEET	<u>46</u>	OF	<u>51</u>
NOTES	<u>HUSS</u>	DATE	<u>4/20/12</u>	ROUTE	<u>US 23</u>	
H.C.	<u>CANTERBURY</u>	WEATHER	<u>CLEAR</u>	COUNTY	<u>SANDUSKY</u>	
R.C.	<u>HOMAN</u>	TEMP.	<u>62°</u>	TOWNSHIP	<u>WOODVILLE</u>	
				SECTION	<u>30</u>	
				T. <u>6</u> N	R. <u>13</u> E	

TYPE MONUMENT IPIN, "+CUT
 ON SURFACE - BELOW 0.5'
 LEFT - Q PAV'T - RIGHT ON, 3.7' N. OF Q WEST
12.2' TO E. EDGE PAVEMENT
 S.L.M. 714+95



GRID: NORTHING: 650977.20 EASTING: 1717614.00

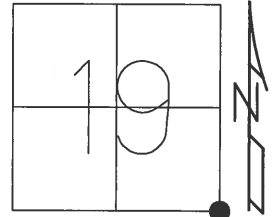
RECORD:
 SET P.K. NAIL TO
 SURFACE. 6/15/90, DJC
 GPS, CP55
 8/10/10, SAH
 RESET MAG/WASHER
 3/12/13. GPS, FIN55
 3/13/13, MRC



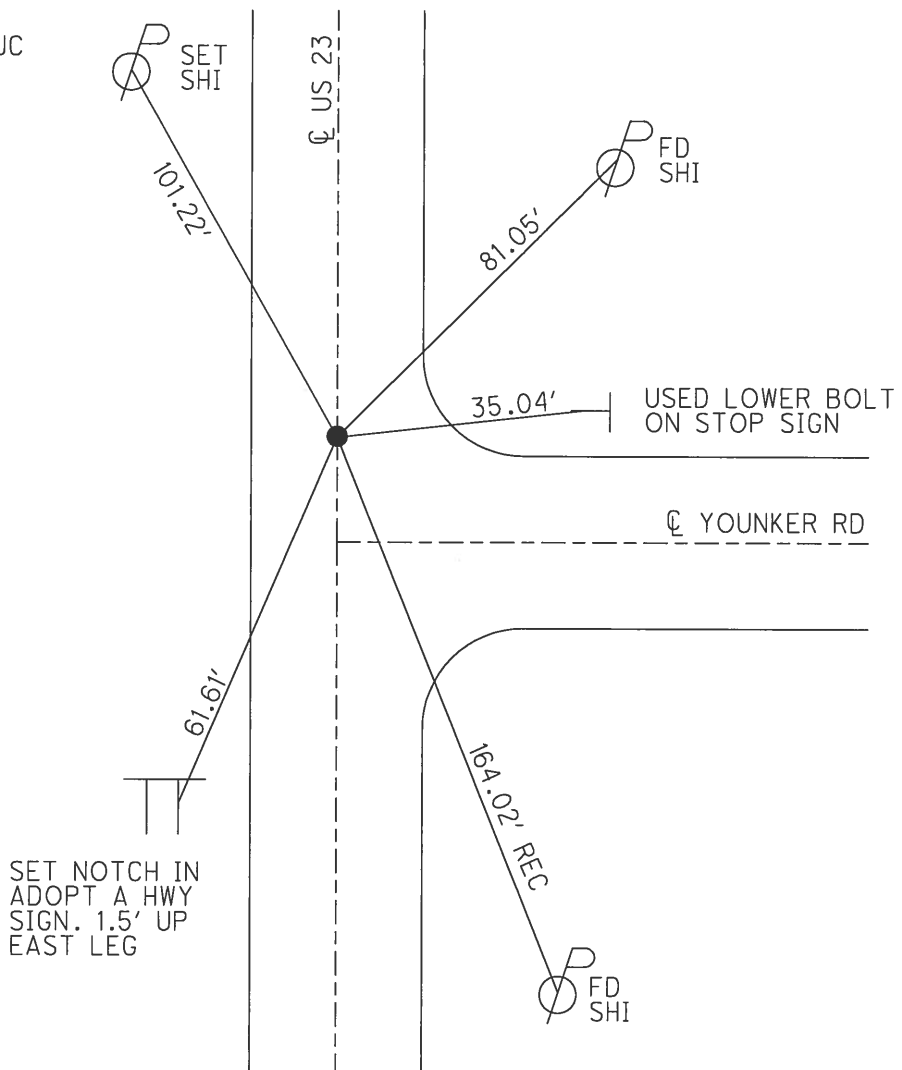
O.D.O.T. DISTRICT 2 SURVEY OFFICE (USE ONLY)

PERSONNEL	REFERENCE NO.	31	SHEET	47	OF	51
NOTES	HUSS	DATE	4/20/12	ROUTE	US 23	
H.C.	CANTERBURY	WEATHER	CLEAR	COUNTY	SANDUSKY	
R.C.	HOMAN	TEMP.	62°	TOWNSHIP	WOODVILLE	
				SECTION	19	
				T	6	N
				R	13	E

TYPE MONUMENT P.K. NAIL/WASHER
 ON SURFACE - BELOW ON
 LEFT - ☉ PAV'T - RIGHT 0.7', 7.5' N. OF E.☉
10.6' TO W. EDGE PAVEMENT
 S.L.M. 738+70
 GRID: NORTHING: 653352.20 EASTING: 1717655.00



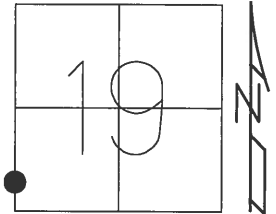
RECORD:
 SET P.K.NAIL TO
 SURFACE. 6/15/90, DJC
 FD P.K.NAIL
 7/6/10, MC
 GPS, CP56
 8/10/10, SAH
 RESET MAG/WASHER
 3/12/13. GPS, FIN56
 3/13/13, MRC
 NOTE: POINT IS
 264.03' TO REF 57.



O.D.O.T. DISTRICT 2 SURVEY OFFICE (USE ONLY)

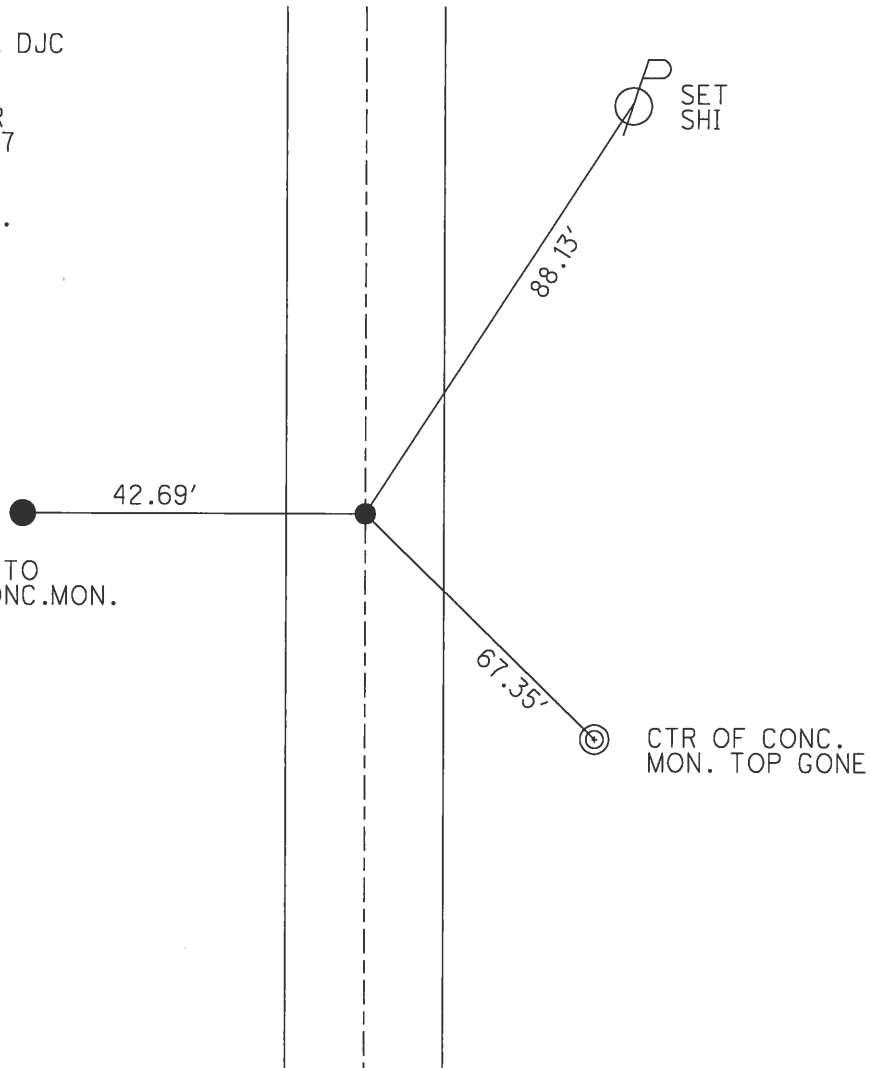
PERSONNEL	REFERENCE NO.	<u>31 A</u>	SHEET	<u>48</u>	OF	<u>51</u>
NOTES	<u>HUSS</u>	DATE	<u>4/20/12</u>	ROUTE	<u>US 23</u>	
H.C.	<u>CANTERBURY</u>	WEATHER	<u>WINDY</u>	COUNTY	<u>SANDUSKY</u>	
R.C.	<u>HOMAN</u>	TEMP.	<u>62°</u>	TOWNSHIP	<u>WOODVILLE</u>	
				SECTION	<u>19</u>	
				T	<u>6</u>	R
				N	<u>13</u>	E

TYPE MONUMENT SHANK
 ON SURFACE - BELOW 0.2'
 LEFT - ℄ PAV'T - RIGHT ON
- TO - EDGE PAVEMENT
 S.L.M. 741+34
 GRID: NORTHING: 653616.10 EASTING: 1717659.00



RECORD:
 SET P.K.NAIL TO
 SURFACE. 6/15/90, DJC
 GPS, CP57
 8/11/10, SAH
 RESET MAG/WASHER
 3/12/13. GPS, FIN57
 3/13/13, MRC
 NOTE: POINT IS
 264.03' TO REF 56.

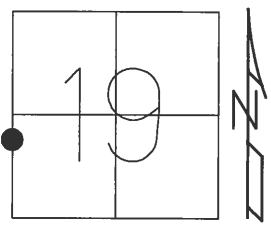
USED GREEN IPIN TO
 S. OF BROKEN CONC.MON.



O.D.O.T. DISTRICT 2 SURVEY OFFICE (USE ONLY)

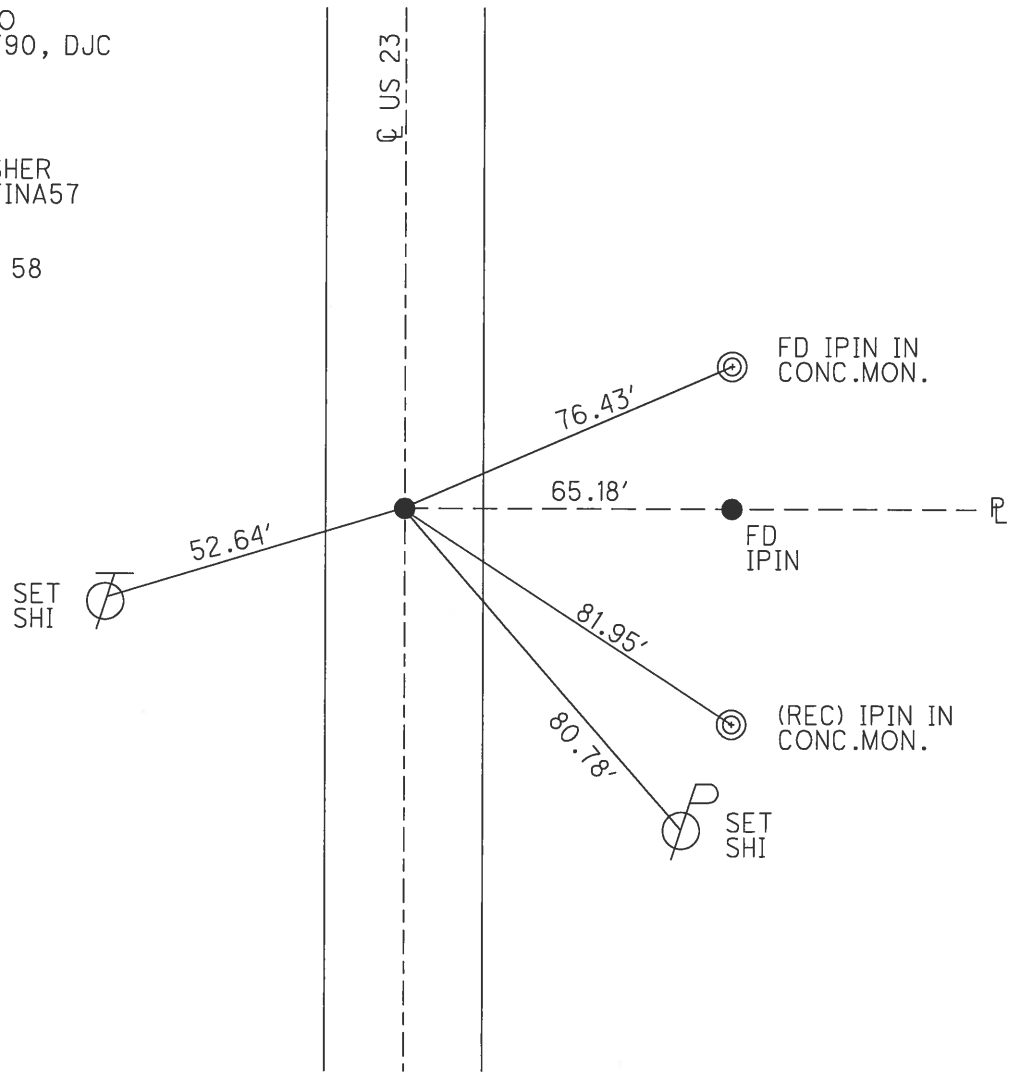
PERSONNEL _____ REFERENCE NO. 31 B SHEET 49 OF 51
 NOTES HUSS DATE 4/20/12 ROUTE US 23
 H.C. CANTERBURY WEATHER WINDY COUNTY SANDUSKY
 R.C. HUSS TEMP. 64° TOWNSHIP WOODVILLE
 SECTION 19
 T 6 N R 13 E

TYPE MONUMENT P.K. NAIL/WASHER
 ON SURFACE - BELOW ON
 LEFT - Q PAV'T - ~~RIGHT~~ 0.2'
10.9' TO W EDGE PAVEMENT
 S.L.M. 765+44



GRID: NORTHING: 656025.30 EASTING: 1717699.00

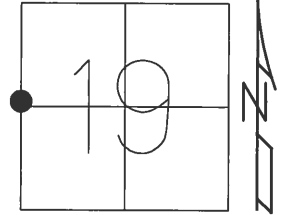
RECORD:
 SET P.K.NAIL TO
 SURFACE. 6/15/90, DJC
 FD P.K.NAIL
 7/6/10, MC
 GPS, CPA57
 8/11/10, SAH
 RESET MAG/WASHER
 3/12/13. GPS, FINA57
 3/13/13, MRC
 NOTE: POINT IS
 227.49' TO REF 58



O.D.O.T. DISTRICT 2 SURVEY OFFICE (USE ONLY)

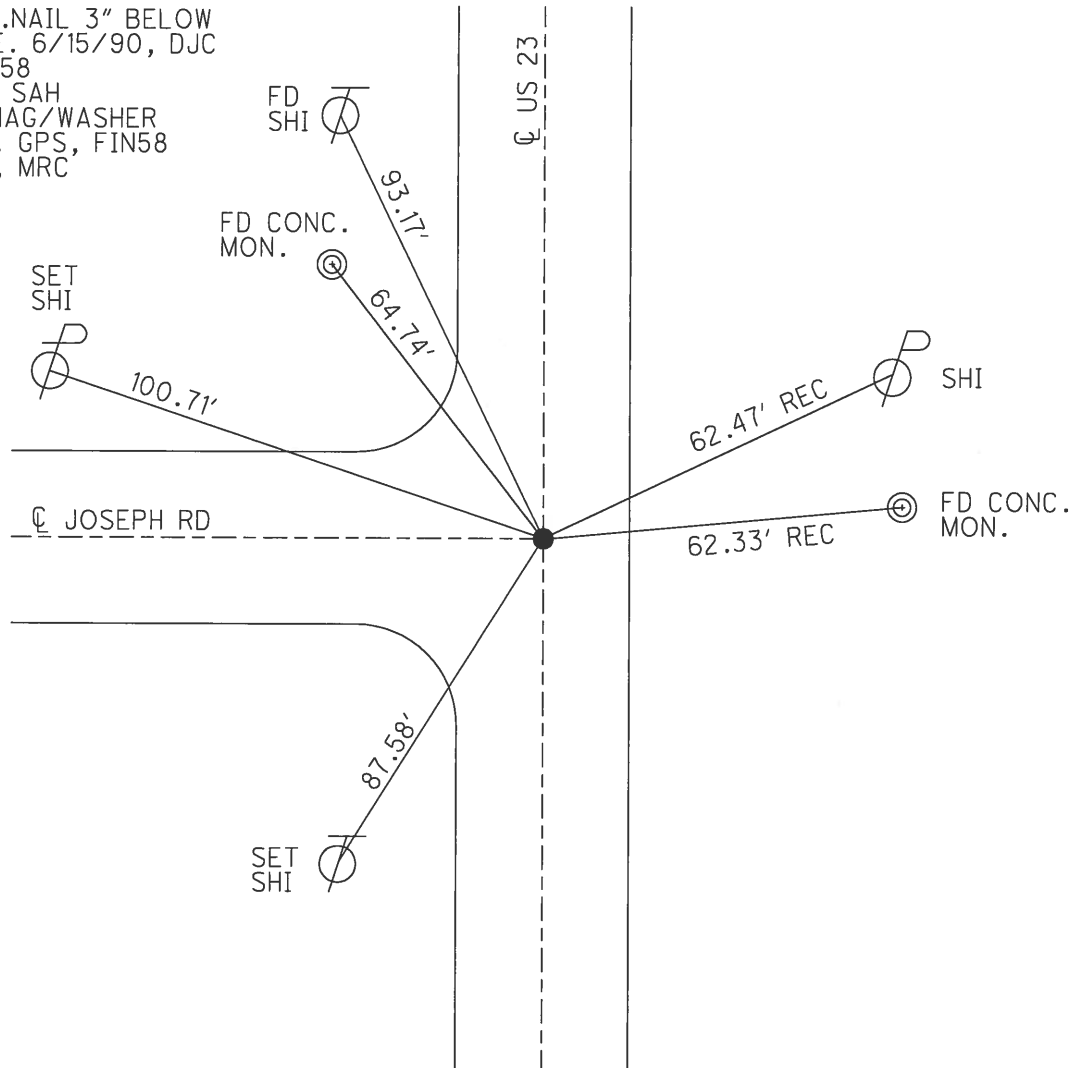
PERSONNEL	REFERENCE NO.	<u>32</u>	SHEET	<u>50</u>	OF	<u>51</u>
NOTES	HUSS	DATE	<u>4/20/12</u>	ROUTE	<u>US 23</u>	
H.C.	<u>CANTERBURY</u>	WEATHER	<u>WINDY</u>	COUNTY	<u>SANDUSKY</u>	
R.C.	<u>HUSS</u>	TEMP.	<u>64°</u>	TOWNSHIP	<u>WOODVILLE</u>	
				SECTION	<u>19</u>	
				T. <u>6</u> N	R. <u>12</u> E	

TYPE MONUMENT BRASS MON.
 ON SURFACE - BELOW 0.6'
 LEFT - ☉ PAV'T - RIGHT ON
12.2' TO E. EDGE PAVEMENT
 S.L.M. 767+71



GRID: NORTHING: 656252.90 EASTING: 1717703.00

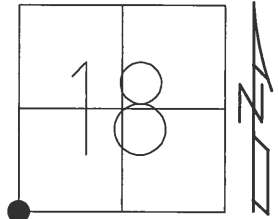
RECORD:
 SET P.K.NAIL 3" BELOW
 SURFACE. 6/15/90, DJC
 GPS, CP58
 8/11/10, SAH
 RESET MAG/WASHER
 3/12/13. GPS, FIN58
 3/13/13, MRC



O.D.O.T. DISTRICT 2 SURVEY OFFICE (USE ONLY)

PERSONNEL	REFERENCE NO.	<u>33</u>	SHEET	<u>51</u>	OF	<u>51</u>
NOTES	<u>HUSS</u>	DATE	<u>4/20/12</u>	ROUTE	<u>US 23</u>	
H.C.	<u>CANTERBURY</u>	WEATHER	<u>WINDY</u>	COUNTY	<u>SANDUSKY</u>	
R.C.	<u>HUSS</u>	TEMP.	<u>64°</u>	TOWNSHIP	<u>WOODVILLE</u>	
				SECTION	<u>18</u>	
				T	<u>6</u>	R
				N		E

TYPE MONUMENT MON.BOX
 ON SURFACE - BELOW ON
~~LEFT~~ - Q PAV'T - RIGHT 2.0'
TO - EDGE PAVEMENT
 S.L.M. 79479



GRID: NORTHING: 658960.10 EASTING: 171750.0

RECORD:
 US 20 STA. 739+72.80
 NO ANGLE.
 NOTE: REF 51, US 20
 SET P.K./WASHER
 7/8/96, CL
 FD MON.BOX
 AT US 20.
 GPS, CP59
 10/11/10, SAH

NOTE:
 US 20 REF "A"

