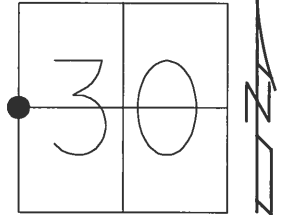


O.D.O.T. DISTRICT 2 SURVEY OFFICE (USE ONLY)

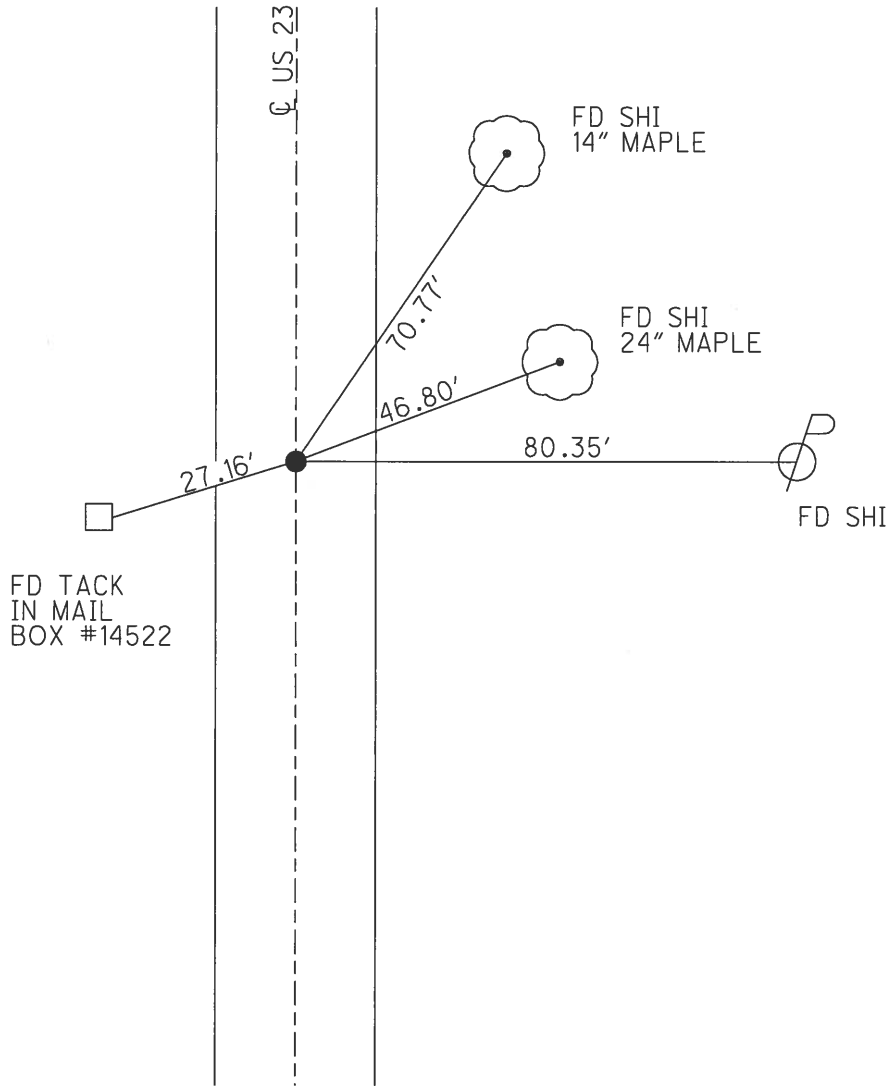
PERSONNEL	REFERENCE NO.	<u>16</u>	SHEET	<u>23</u>	OF	<u>51</u>
NOTES	<u>RHOADES</u>	DATE	<u>4-21-14</u>	ROUTE	<u>US 23</u>	
H.C.	<u>ROUSOS</u>	WEATHER	<u>CLOUDY</u>	COUNTY	<u>SANDUSKY</u>	
R.C.	<u>GABLE</u>	TEMP.	<u>62°</u>	TOWNSHIP	<u>MADISON</u>	
	<u>HOMAN</u>			SECTION	<u>30</u>	
				T <u>5</u> N	R <u>13</u> E	

TYPE MONUMENT MONBOX
~~ON SURFACE~~ - BELOW 3"
 LEFT - ☉ PAV'T - RIGHT ON
12 TO W EDGE PAVEMENT
 S.L.M. 397+17

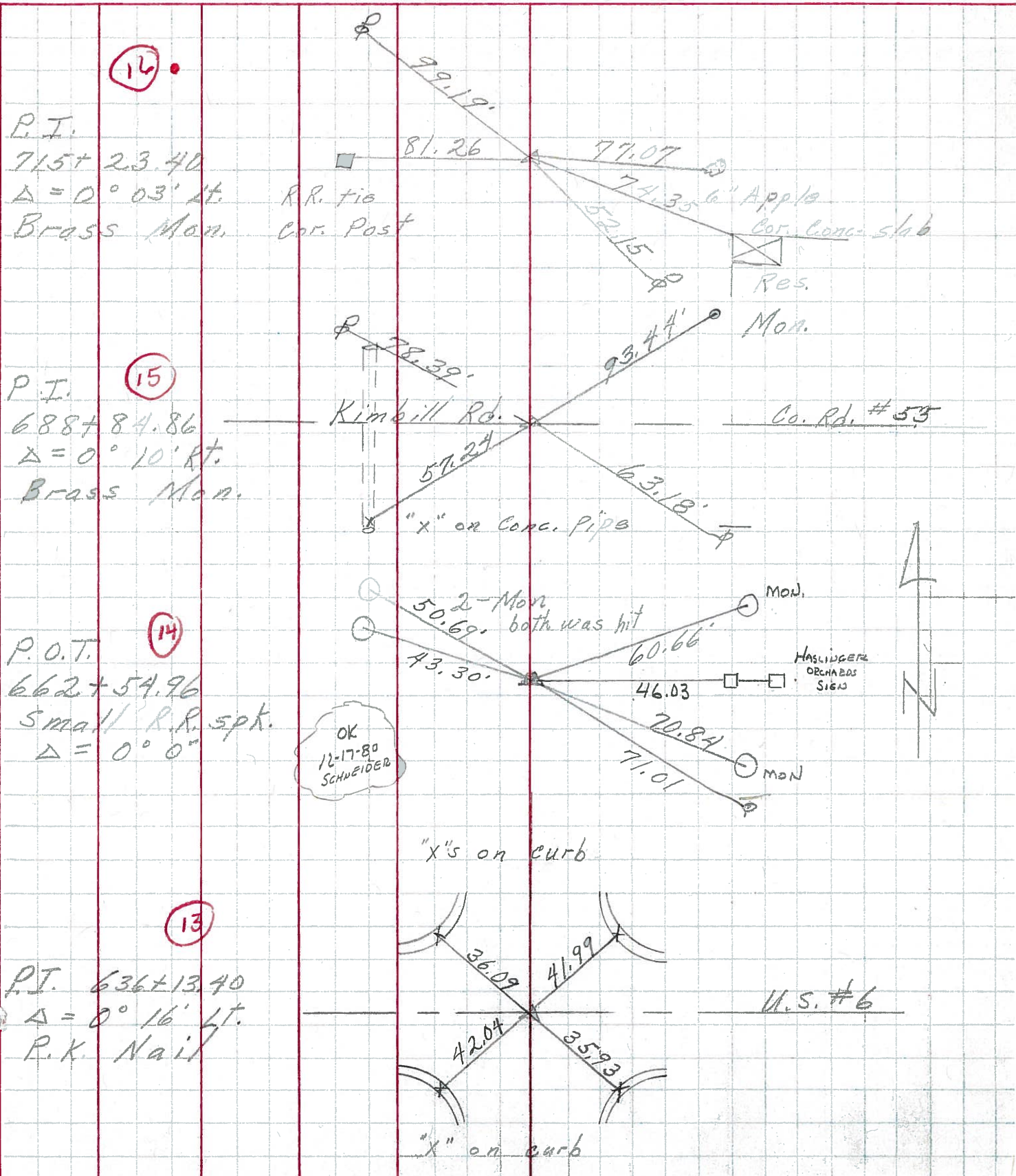


Grid: Northing: 619336.325 Easting: 1716834.265

RECORD:
 PI 715+23.40
 $\Delta=0^{\circ}-03'$ LT
 BRASS MON
 SET PK & WASHER
 4-14-92, MB
 REF40
 FD BRASS MON
 BOX 3" DOWN
 N-619336.338
 E-1716834.238
 EL-670.075
 12/13/12, MC
 NEWREF40
 FD MON BOX W/ 2"
 OD SHAFT OF MOBORA
 MON (NO DISK)
 10-17-16, JLL

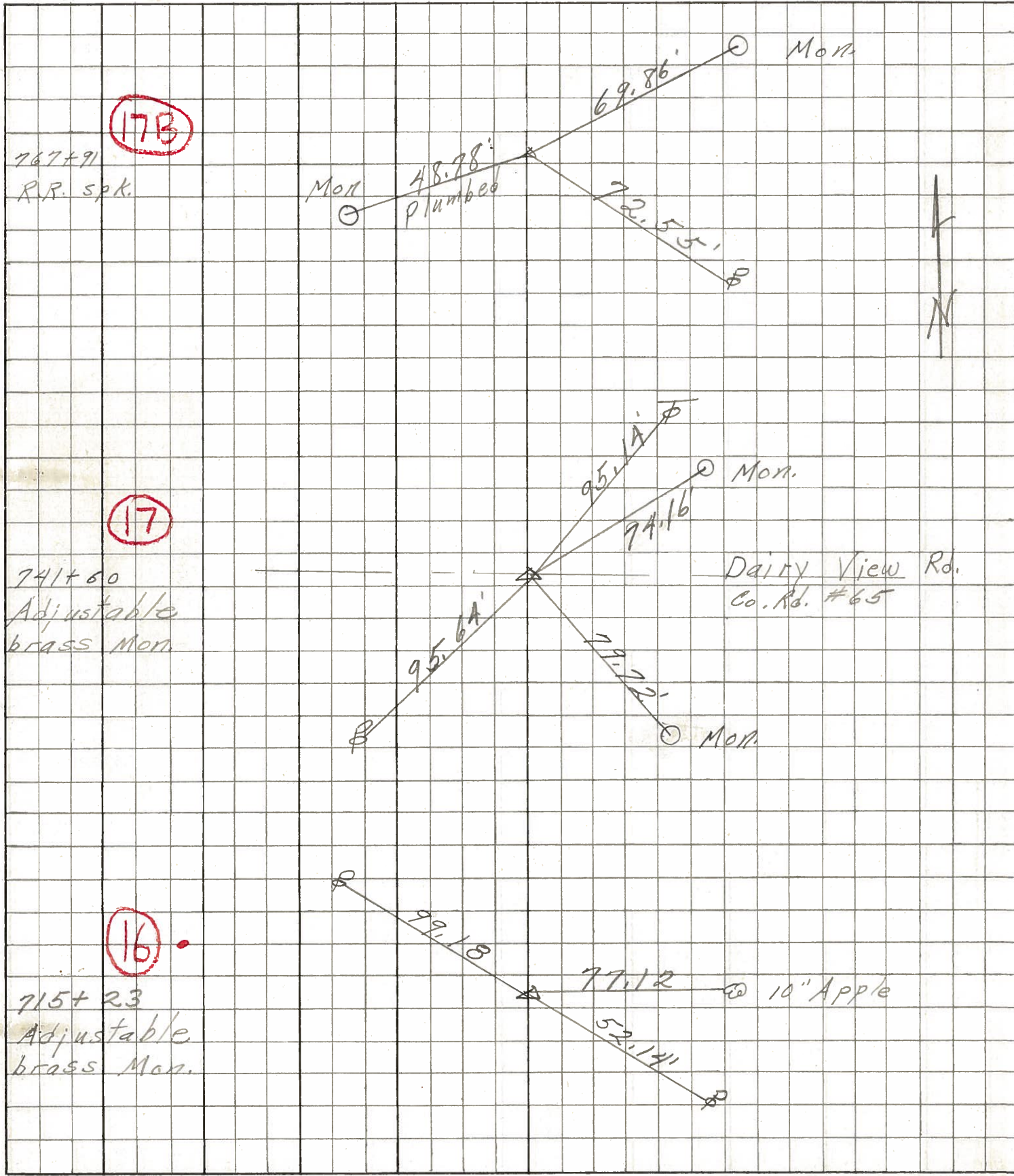


PERSONNEL	TITLE	PERSONNEL	TITLE	COUNTY	DATE	WEATHER	TEMP.
Schneider				San-Wood	2-5-70	Fair	35°
Mosser				S. R. 23 (6/6 SR. 199)			
Barbour				SEC. U.S. #6 to U.S. #20			
Patt's							
DESCRIPTION: Ties for control Points							
	LEFT	CENTER LINE	RIGHT	JOB NO.			



PERSONNEL	TITLE	PERSONNEL	TITLE	COUNTY	DATE	WEATHER	TEMP.
Schneider		Potts		Sandusky-Wood	7-5-67	Cloudy	70°
Mosser				S. R. 199 23			
Barbour				SEC. U.S. #6 to SR #600			
Redding							

DESCRIPTION Ties for Control Points JOB NO. _____



PERSONNEL	TITLE	PERSONNEL	TITLE	COUNTY	DATE
<u>Sworden</u>	<u>Notes</u>	<u>Rice</u>		<u>San. Woo</u>	<u>6/29/60</u>
<u>Cronin</u>				<u>23</u>	
<u>Holcombe</u>				<u>#199</u>	<u>WEATHER Cloudy</u>
<u>Sage</u>				<u>SEC. U.S.#6 North to U.S.#20</u>	<u>TEMP. + 80</u>

DESCRIPTION Ties For Control Points JOB NO. _____

