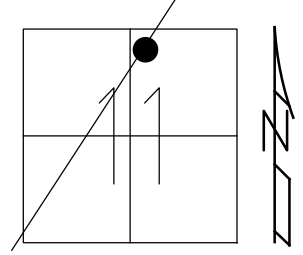


O.D.O.T. DISTRICT 2 SURVEY OFFICE (USE ONLY)

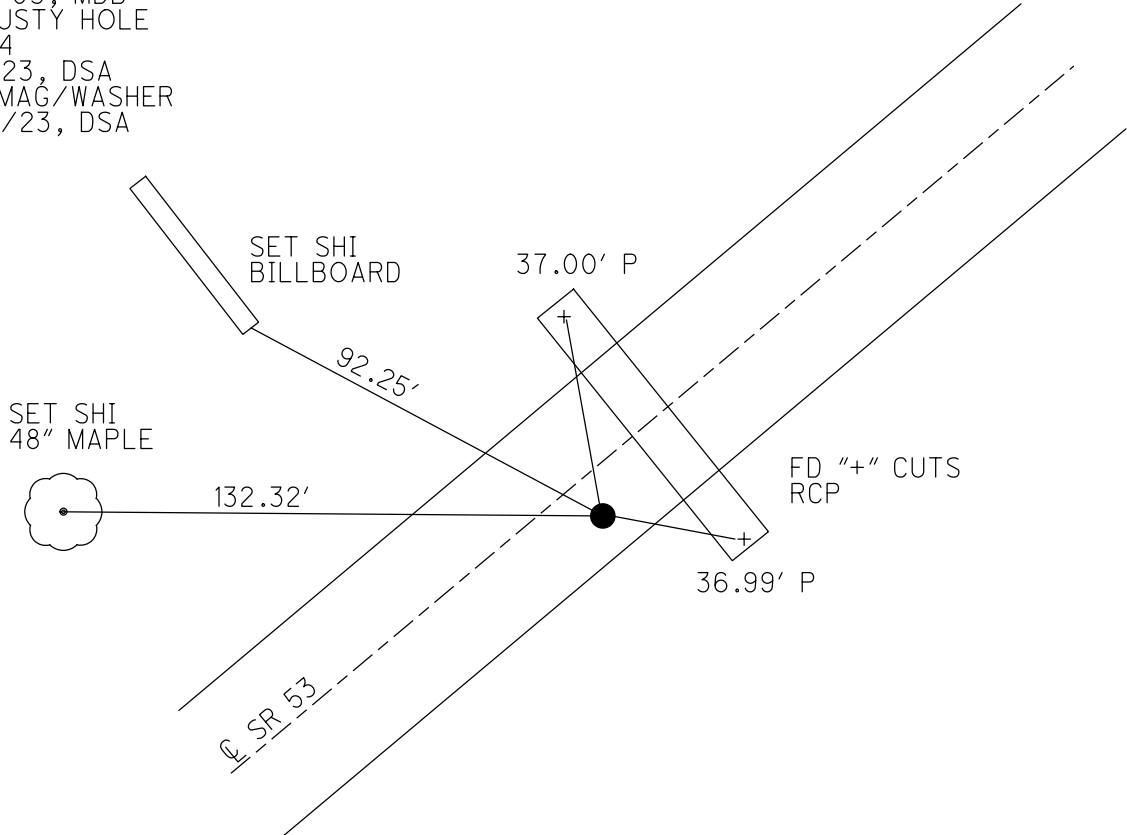
PERSONNEL _____ REFERENCE NO. 34 SHEET 9 OF 19
 NOTES RHOADES DATE 11/22/23 ROUTE SR 53
 H.C. AUBLE WEATHER CLOUDY COUNTY SANDUSKY
 R.C. MILLER TEMP. 43° TOWNSHIP RICE
 NIESE, ASTON SECTION 11
 DWG BY RHOADES PID 95760 T 5 N R 15 E

TYPE MONUMENT P.K./WASHER
 ON SURFACE - ~~BELOW~~ ON _____
 OFFSET $\frac{C}{E}$ PAVEMENT 0.3' ~~LT~~ : RT
11.6' TO RT EDGE PAVEMENT
 STATION: 746+43



HORIZ.DATUM: NAD83 2011 GEOID: NAVD88 2018
 GRID: NORTHING: 637201.375 EASTING: 1805338.345

RECORD: P.I.
 STA.620+78.11
 $\Delta = 00^\circ 13' LT$
 SET MAG/WASHER
 8/19/03, MDB
 FD RUSTY HOLE
 REF34
 8/8/23, DSA
 SET MAG/WASHER
 11/22/23, DSA



O.D.O.T. DISTRICT 2 SURVEY OFFICE (USE ONLY)

PERSONNEL

REFERENCE NO. 34

SHEET 9 OF 19

NOTES HOMAN

DATE 3/20/03

ROUTE SR 53

H.C. BARNHEISEL

WEATHER SUNNY

COUNTY SANDUSKY

R.C. GLASS

TEMP. 50°

TOWNSHIP RICE

RYALL

SECTION 11

DWG BY RHOADES

PID PVTRAIN

T 5 N R 15 E

TYPE MONUMENT P.K./WASHER

~~ON SURFACE~~ - BELOW 1.5"

OFFSET \bar{C} PAVEMENT 0.3' \bar{E} : RT

11.6' TO RT EDGE PAVEMENT

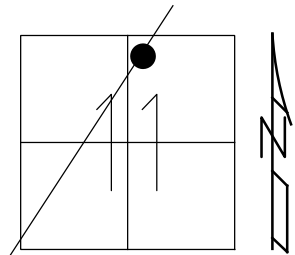
STATION: 746+43

HORZ.DATUM: NAD83 2011

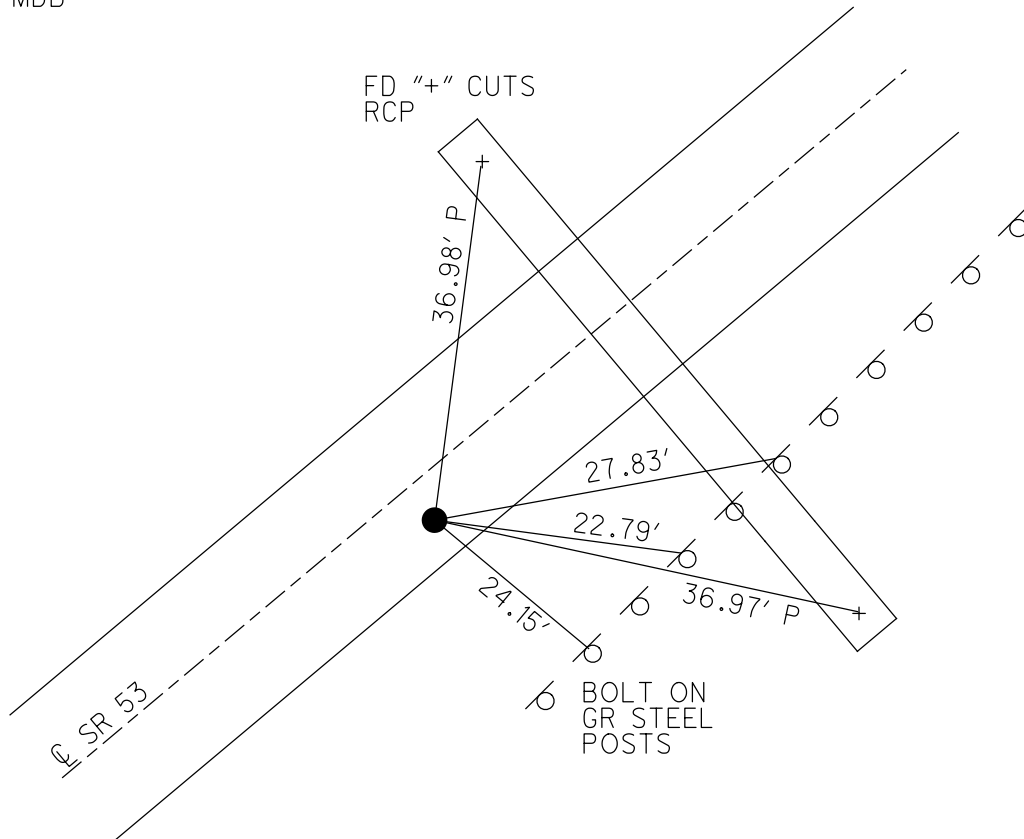
GEOID: NAVD88 2018

GRID: NORTHING: 637201.382

EASTING: 1805338.346



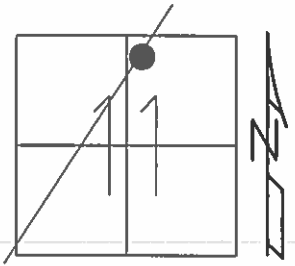
RECORD:
 P.I. SURV & CONST
 $\Delta = 00^\circ 13' LT$
 620+78.11
 RESET MAG/WASHER
 8/19/03, MDB



O.D.O.T. DISTRICT 2 SURVEY OFFICE (USE ONLY)

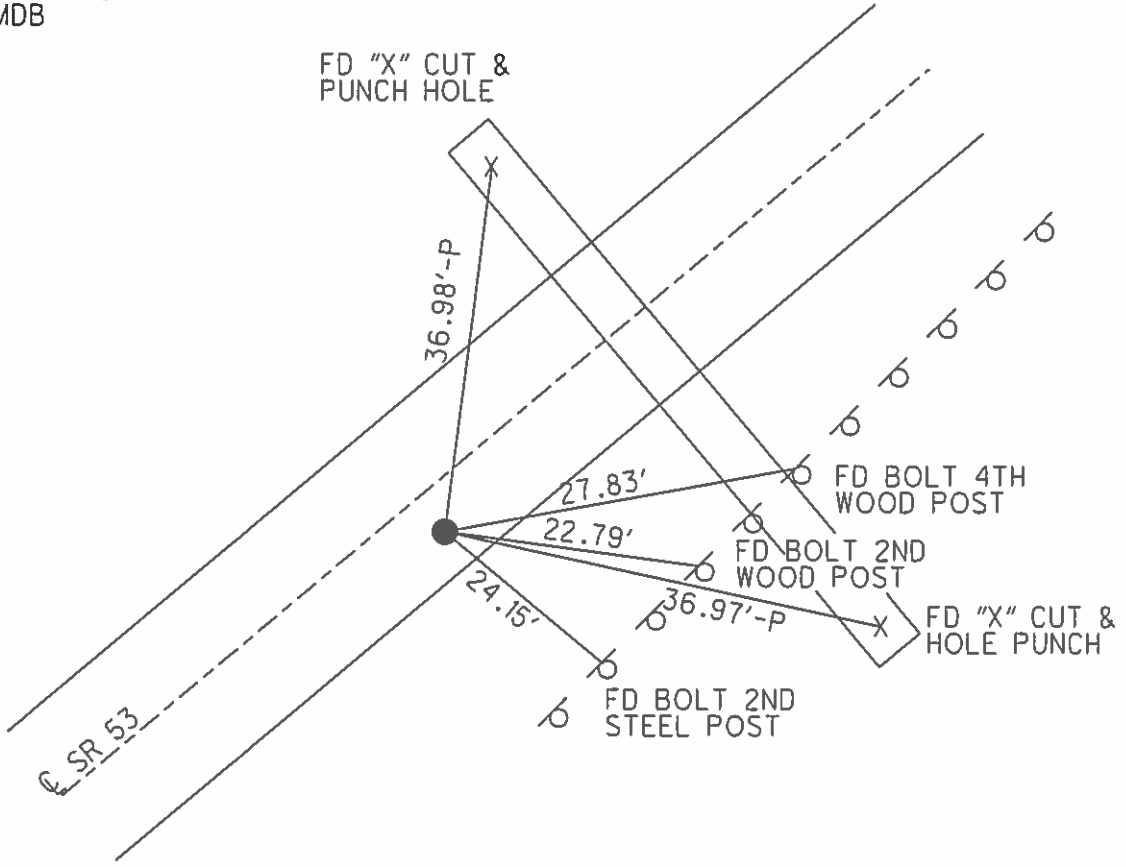
PERSONNEL	REFERENCE NO.	34	SHEET	9	OF	19
NOTES	HOMAN	DATE	3/20/03	ROUTE	SR 53	
H.C.	BARNHISEL	WEATHER	SUNNY	COUNTY	SANDUSKY	
R.C.	GLASS	TEMP.	50°	TOWNSHIP	RICE	
	RYALL			SECTION	11	
				T	5	N
				R	16	E

TYPE MONUMENT P.K. NAIL/WASHER
~~ON SURFACE~~ - BELOW 1.5"
~~LEFT~~ - CL PAV'T - RIGHT 0.3'
11.6' TO RT EDGE PAVEMENT
 S.L.M. 746+43



Grid: Northing: - Easting: -

RECORD:
 P.I. SURV & CONST
 Δ = 00° 13' LT
 620+78.11
 RESET MAG/WASHER
 8/19/03, MDB



O.D.O.T. DISTRICT 2 SURVEY OFFICE

PERSONNEL

REFERENCE NO. 34

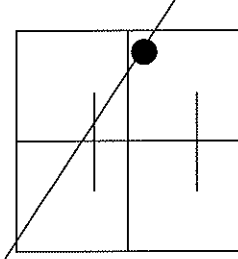
SHEET 8 OF 18

NOTES HOMAN
 H.C. BARNHISEL
 R.C. GLASS
RYALL

DATE 3-20-03
 WEATHER SUNNY
 TEMP. 50°

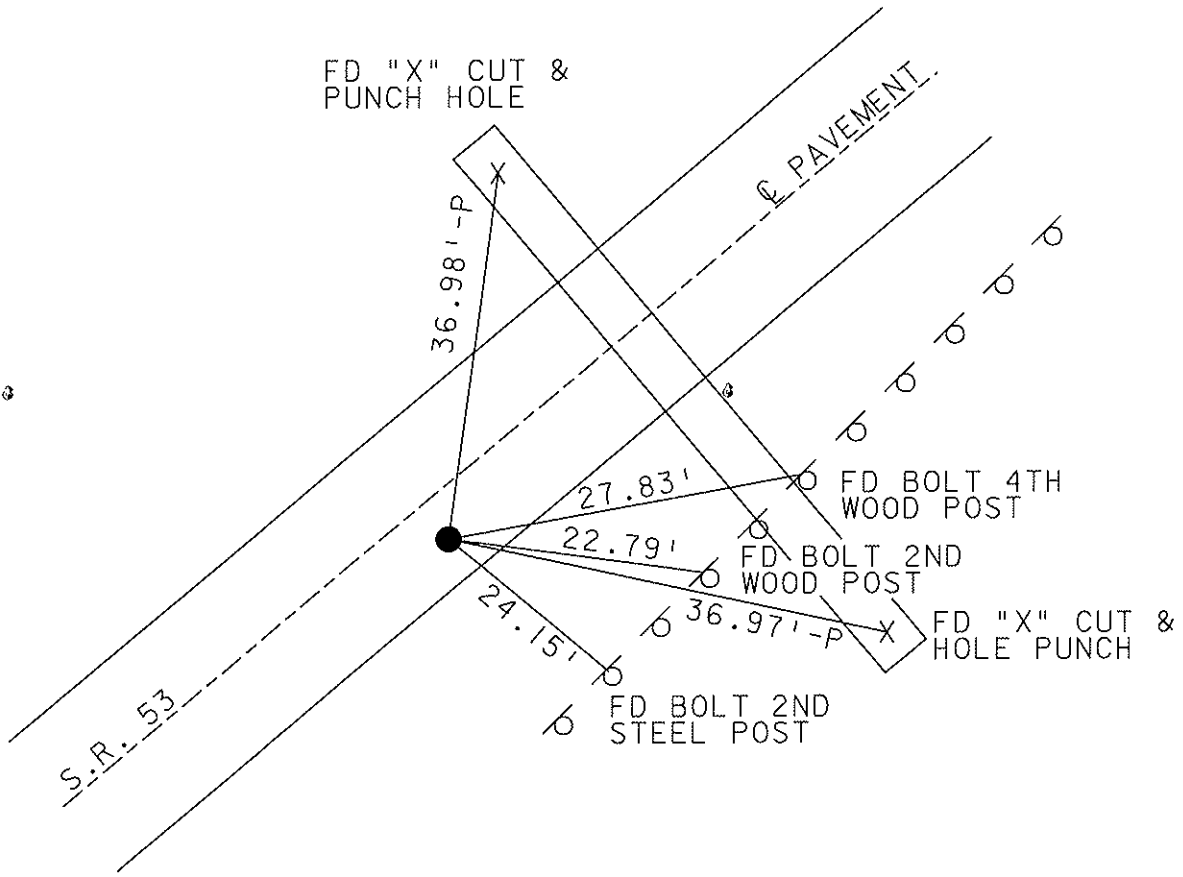
ROUTE S.R. 53
 COUNTY SANDUSKY
 TOWNSHIP RICE
 SECTION 11
T 5 N R 16 E

TYPE MONUMENT PK NAIL & WASHER
~~ON SURFACE~~ - BELOW 1.5"
~~LEFT - Q~~ PAV'T - RIGHT .3'
11.6' TO RT EDGE PAVEMENT
 S.L.M. 746+43



RECORD:
 P.I. SURV & CONST
 DELTA = 00° 13' LT
 620+78.11

RESET MAG NAIL & WASHER
 08-19-03
 MDB



O.D.O.T. DISTRICT 2 SURVEY OFFICE

PERSONNEL _____

REFERENCE NO. _____

SHEET 5 OF 15

NOTES Ripple

H.C. BARBOUR

DATE 8/30/90

ROUTE SR#53

R.C. Geyman

WEATHER SUNNY

COUNTY SANDUSKY

TEMP. 72°

TOWNSHIP Rice

SECTION 11

T 5 N R 16 E

TYPE MONUMENT Set P.K. Washer

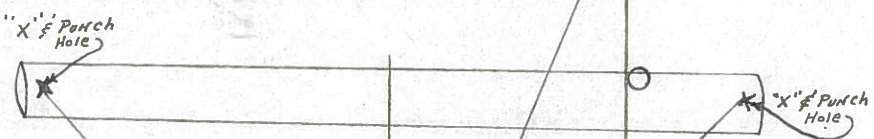
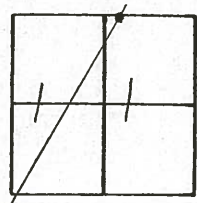
ON SURFACE - BELOW P.K. Washer A Top RR Spike

LEFT - ℄ Pav't. - RIGHT ℄ Pav't.

TO EDGE PAVEMENT

S.L.M. _____

34



P.I. SUR. & CONST.

Δ = 00° 13' LT.

620+78.11

Note: X² on Tile NOT used
This Time.

36.88'
Plumbed

27.78'

36.98' Plumbed
22.66'

24.01'

Bolt 4th Wood Post

Bolt 2nd Wood Post

Bolt 2nd Steel Post

SR# 53

County Sandusky S.R. #53

Date 11/18/83

Township Rice

Weather overcast

Section 11

Temp. 47°

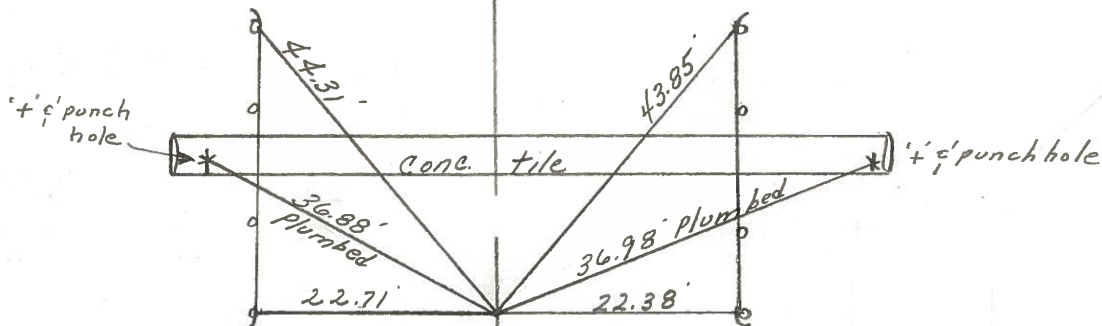
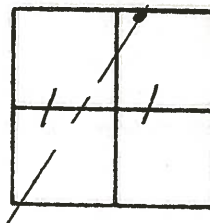
T5N, R16E

Personnel Cronin

Ripple

Barbour

34



P.I. - Sur. & Const

Δ = 00° 13' Lt.

Set P.K. & washer

at top R.R. spike (Fd.)

620 + 78.11

§ S.R. # 53