

O.D.O.T. DISTRICT 2 SURVEY OFFICE (USE ONLY)

PERSONNEL

REFERENCE NO. 35 A

SHEET 12 OF 19

NOTES RHOADES

DATE 11/28/23

ROUTE SR 53

H.C. AUBLE

WEATHER CLOUDY

COUNTY SANDUSKY

R.C. NIESE
ASTON

TEMP. 22°

TOWNSHIP RICE

DWG BY RHOADES PID 95760

SECTION 36

T 5 N R 15 E

TYPE MONUMENT MAG/WASHER

ON SURFACE - ~~BELOW~~ ON

OFFSET \bar{C} PAVEMENT 1' ~~RT~~ : RT

11.3' TO RT EDGE PAVEMENT

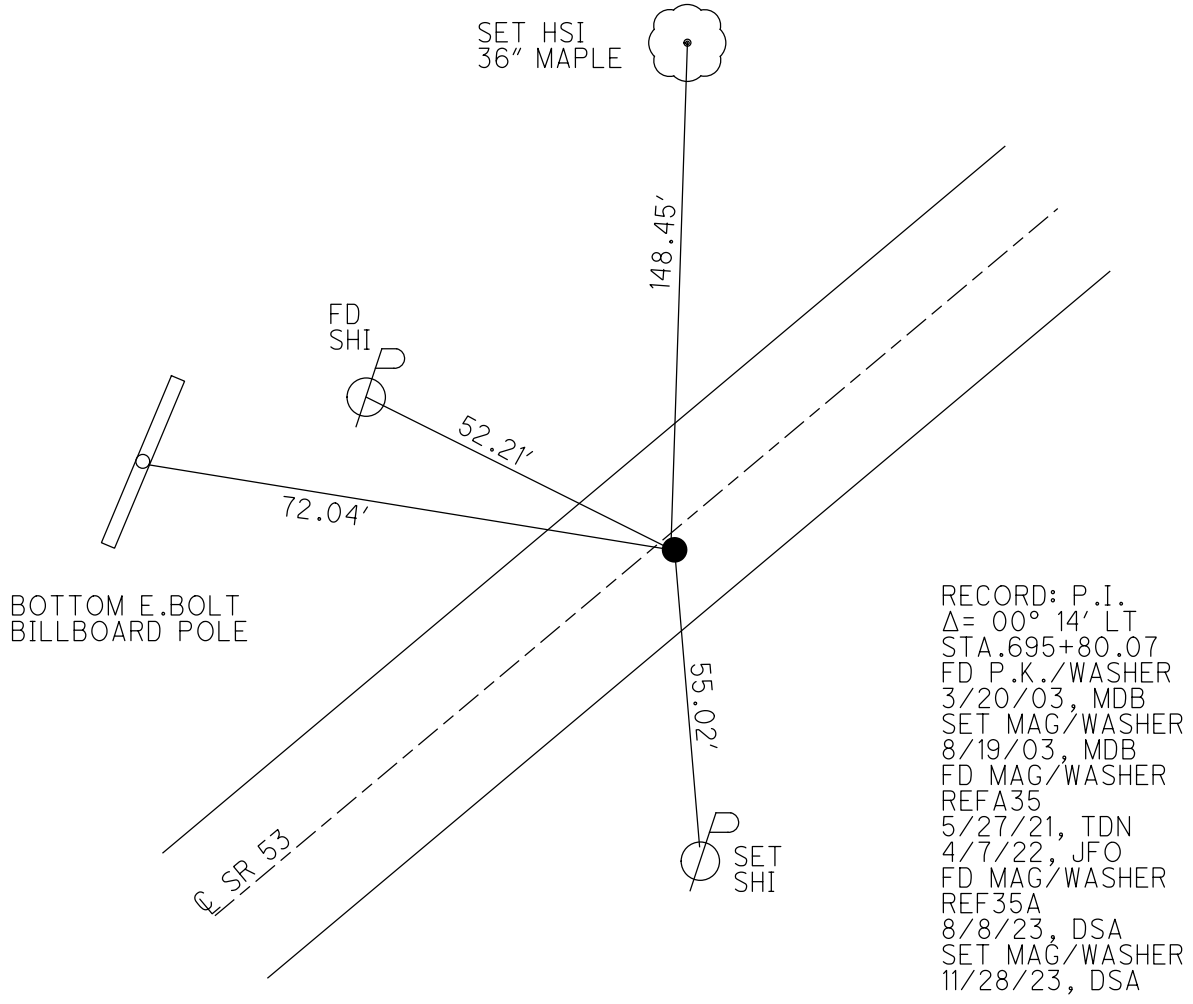
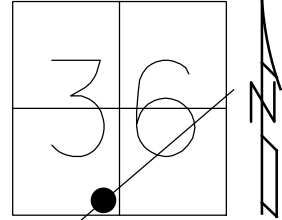
STATION: 821+45

HORZ.DATUM: NAD83 2011

GEOID: NAVD88 2018

GRID: NORTHING: 642898.367

EASTING: 1810219.647

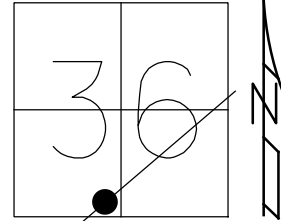


RECORD: P.I.
 $\Delta = 00^\circ 14' \text{ LT}$
 STA. 695+80.07
 FD P.K./WASHER
 3/20/03, MDB
 SET MAG/WASHER
 8/19/03, MDB
 FD MAG/WASHER
 REFA35
 5/27/21, TDN
 4/7/22, JFO
 FD MAG/WASHER
 REF35A
 8/8/23, DSA
 SET MAG/WASHER
 11/28/23, DSA

O.D.O.T. DISTRICT 2 SURVEY OFFICE (USE ONLY)

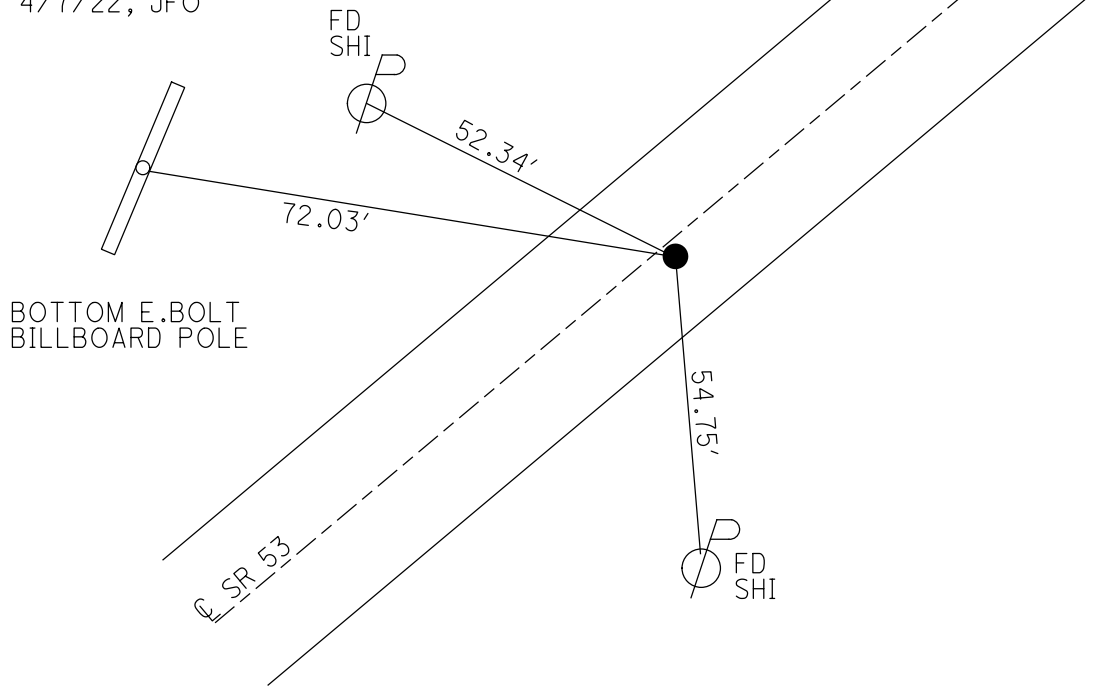
PERSONNEL _____ REFERENCE NO. 35 A SHEET 12 OF 19
 NOTES RHOADES DATE 5/27/21 ROUTE SR 53
 H.C. NIESE WEATHER CLOUDY COUNTY SANDUSKY
 R.C. RHOADES TEMP. 56° TOWNSHIP RICE
 DWG BY RHOADES PID PVTRAIN SECTION 36
 T 5 N R 15 E

TYPE MONUMENT MAG/WASHER
 ON SURFACE - ~~BELOW~~ ON _____
 OFFSET ☉ PAVEMENT 1' ~~LT~~ : RT
11.3' TO RT EDGE PAVEMENT
 STATION: 821+45



HORIZ.DATUM: NAD83 2011 GEOID: NAVD88 2018
 GRID: NORTHING: 642898.399 EASTING: 1810219.709

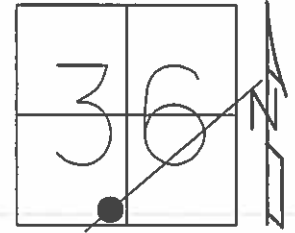
RECORD: P.I.
 $\Delta = 00^{\circ} 14' \text{ LT}$
 STA.695+80.07
 FD P.K./WASHER
 3/20/03, MDB
 SET MAG/WASHER
 8/19/03, MDB
 FD MAG/WASHER
 REFA35
 5/27/21, TDN
 4/7/22, JFO



O.D.O.T. DISTRICT 2 SURVEY OFFICE (USE ONLY)

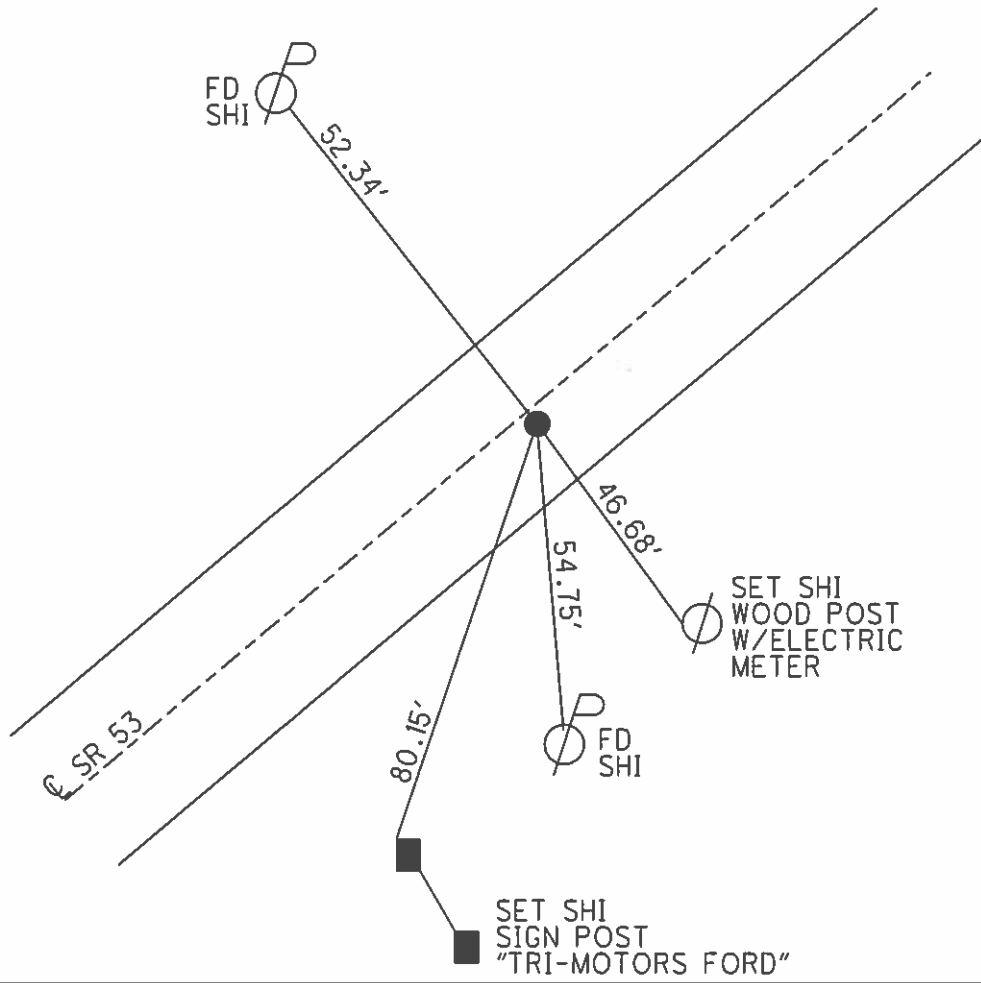
PERSONNEL	REFERENCE NO.	35-A	SHEET	12	OF	19
NOTES	HOMAN	DATE	3/20/03	ROUTE	SR 53	
H.C.	BARNHISEL	WEATHER	SUNNY	COUNTY	SANDUSKY	
R.C.	GLASS	TEMP.	50°	TOWNSHIP	RICE	
	RYALL			SECTION	36	
				T 5 N	R 16 E	

TYPE MONUMENT P.K. NAIL/WASHER
 ON SURFACE - ~~BELOW~~ ON
~~LEFT~~ Q PAV'T - RIGHT 0.2'
11.3' TO RT EDGE PAVEMENT
 S.L.M. 821+45



Grid: Northing: _____ Easting: _____

RECORD:
 P.I. SURV & CONST
 Δ = 00° 14' LT
 695+80.07
 RESET MAG/WASHER
 8/19/03, MDB



O.D.O.T. DISTRICT 2 SURVEY OFFICE

PERSONNEL

REFERENCE NO. 35-A

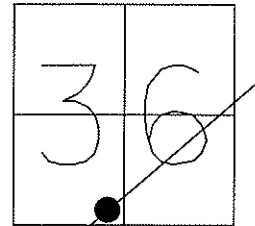
SHEET 11 OF 18

NOTES HOMAN
 H.C. BARNHISEL
 R.C. GLASS
RYALL

DATE 3-20-03
 WEATHER SUNNY
 TEMP. 50°

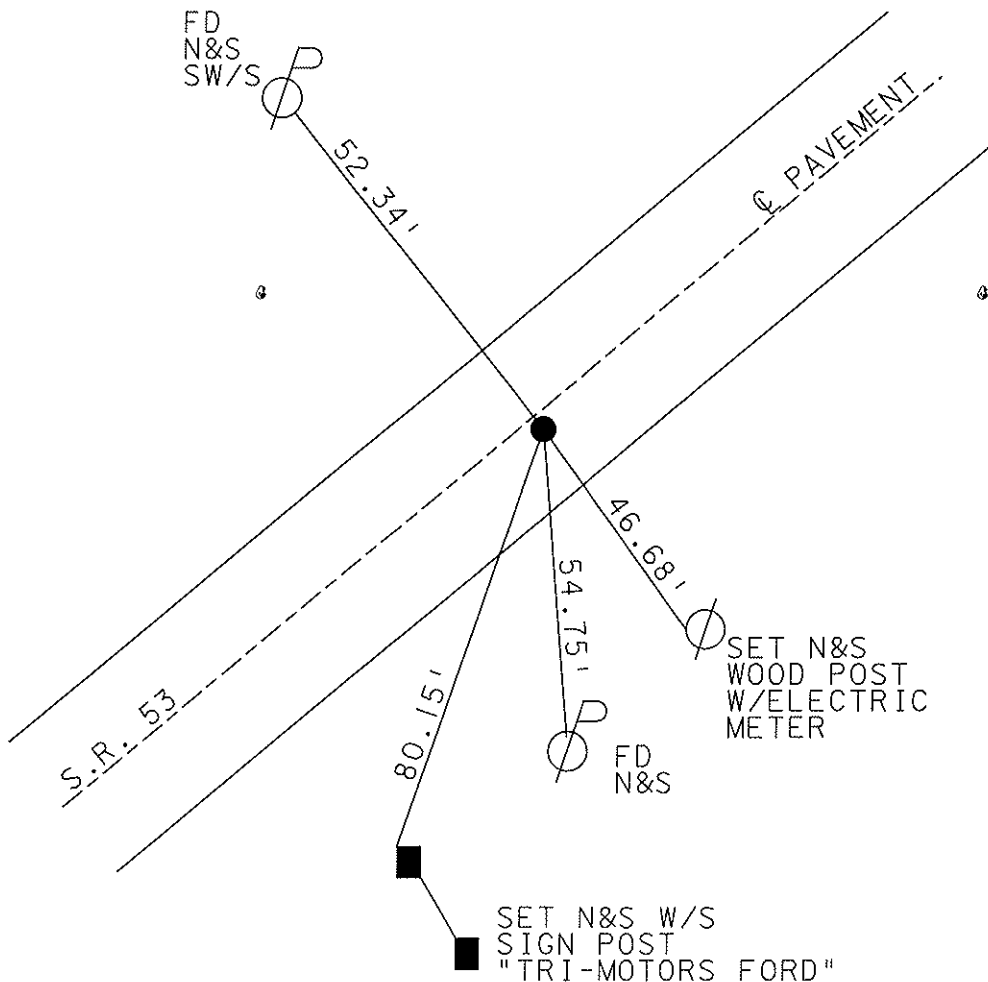
ROUTE S.R. 53
 COUNTY SANDUSKY
 TOWNSHIP RICE
 SECTION 36
T 5 N R 15 E

TYPE MONUMENT PK NAIL
 ON SURFACE - ~~BELOW~~ YES
~~LEFT - Q~~ PAV'T - RIGHT .2'
11.3' TO RT EDGE PAVEMENT
 S.L.M. 821+45



RECORD:
 P.I. SURV & CONST
 DELTA= 00° 14' LT
 695+80.07

RESET MAG NAIL & WASHER
 08-19-03
 MDB



O.D.O.T. DISTRICT 2 SURVEY OFFICE

PERSONNEL _____

REFERENCE NO. _____

SHEET 8 OF 15

NOTES Ripple

H.C. BARBOUR

DATE 8/30/90

ROUTE SR#53

R.C. Geyman

WEATHER SUNNY

COUNTY SANDUSKY

TEMP. 83°

TOWNSHIP Rice

SECTION 36

T5 NR 15 E

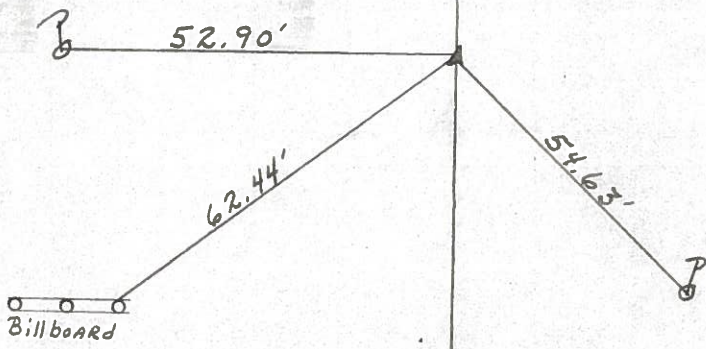
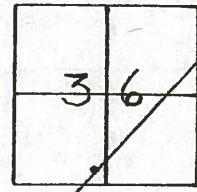
TYPE MONUMENT Set P.K. & Washer
 ON SURFACE - BELOW P.K. & Washer A Top RB spike

LEFT - ☉ PAV'T. - RIGHT ☉ PAV'T.

_____ TO _____ EDGE PAVEMENT

S.L.M. _____

35A



P.I. Survey & Const.
Δ = 00° 14' LT.
695 + 80.07

☉ SR # 53 ☉

County Sandusky S.R. # 53

Township Rice

Section 36

T 5 N, R 15 E

Personnel Cronin

Ripple

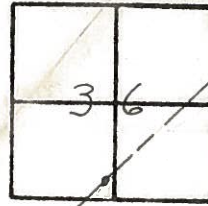
Barbour

Date 11/18/83

Weather overcast

Temp. 47°

35A



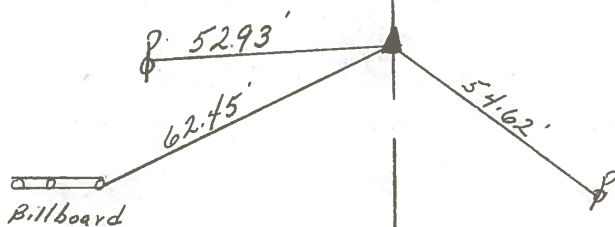
P.I. Sur & Const

Δ = 00° 14' Lt.

695 + 80.07

Set P.K. & washer at top

R.R. spike



Δ Sur. S.R. # 53