

O.D.O.T. DISTRICT 2 SURVEY OFFICE (USE ONLY)

PERSONNEL	REFERENCE NO. <u>40</u>	SHEET <u>19</u> OF <u>19</u>
NOTES	RHOADES	DATE <u>11/28/23</u>
H.C.	AUBLE	WEATHER <u>SUNNY</u>
R.C.	NIESE	TEMP. <u>22°</u>
	ASTON	
DWG BY	RHOADES	PID <u>95760</u>
		T <u>5</u> N R <u>16</u> E

TYPE MONUMENT MAG/WASHER

~~ON SURFACE~~ - BELOW 1"

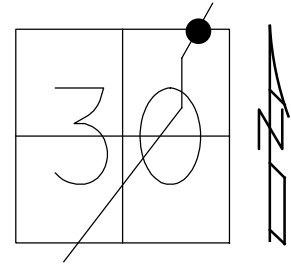
OFFSET \odot PAVEMENT ON LT : RT

11' TO RT EDGE PAVEMENT

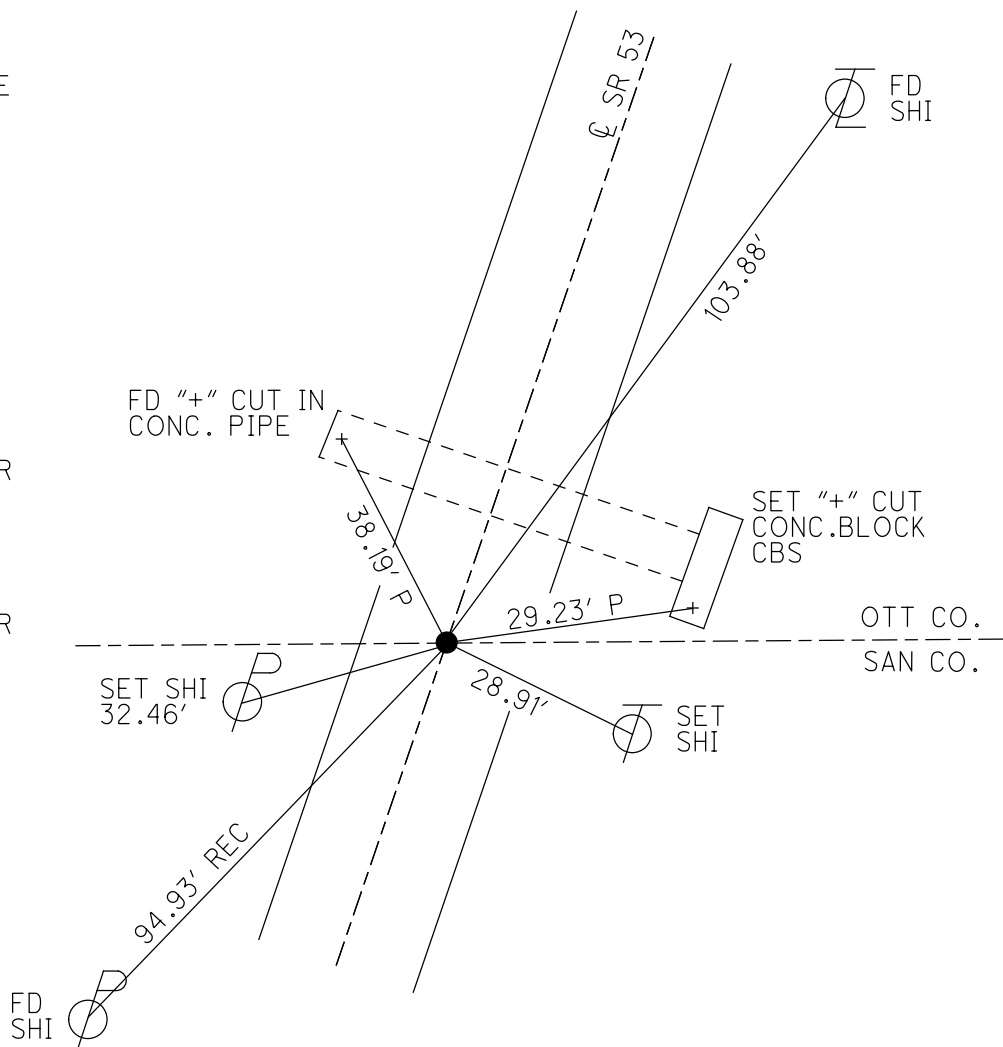
STATION: 945+19

HORIZ.DATUM: NAD83 (2011) GEOID: NAVD88 2018

GRID: NORTHING: 652879.790 EASTING: 1817266.110



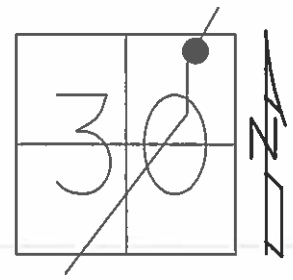
RECORD: P.I.
 $\Delta = 0^\circ 36' \text{ LT}$
 STA. 819+87.42
 SET PK/WASHER
 ATOP R.R. SPIKE
 12-5-84
 SET PK/WASHER
 8-5-93, JLR
 FD PK/WASHER
 5-30-00, BC
 SET PK/WASHER
 7-26-00, SAH
 FD P.K./WASHER
 3/27/03, MDB
 FD PK/WASHER
 REF1
 6-22-15, JFO
 FD PK/WASHER
 3-23-17, DCH
 SET MAG/WASHER
 REF1
 5-8-18, JLL
 FD MAG/WASHER
 REF40
 8/8/23, DSA
 SET MAG/WASHER
 1" DOWN
 11/28/23, DSA



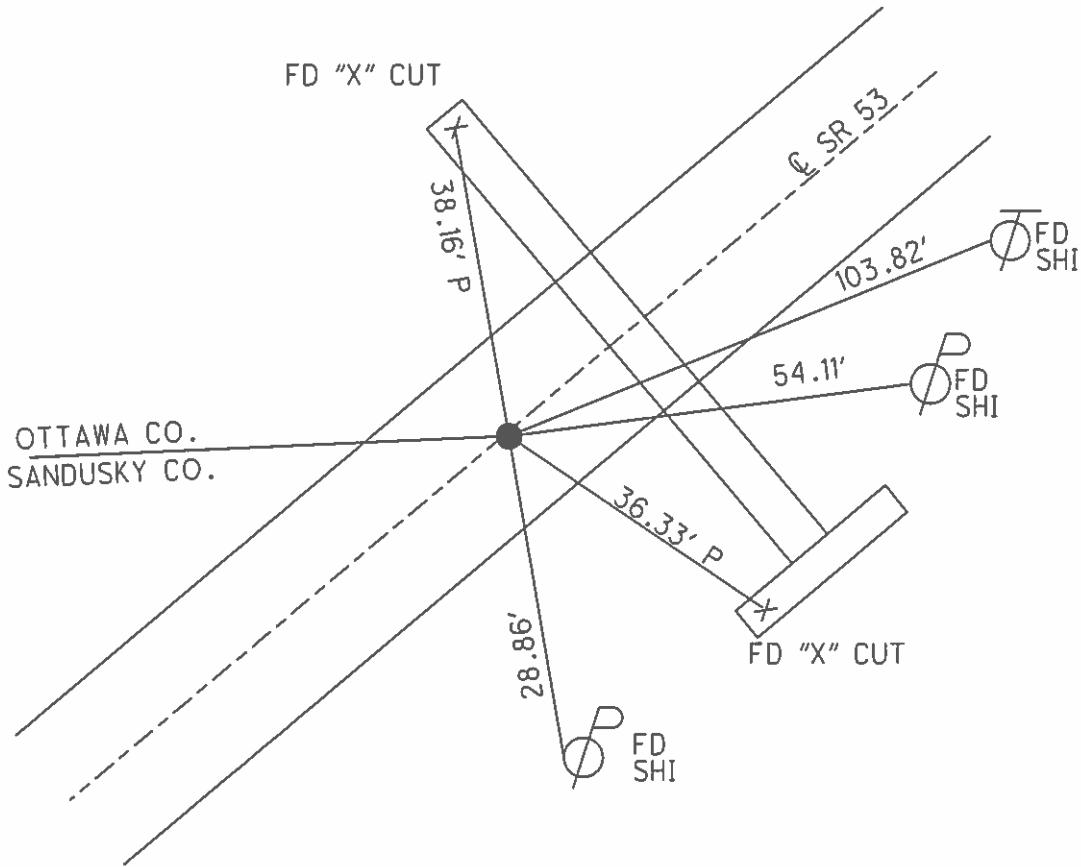
O.D.O.T. DISTRICT 2 SURVEY OFFICE (USE ONLY)

PERSONNEL	REFERENCE NO.	40	SHEET	19	OF	19
NOTES	HOMAN	DATE	3/27/03	ROUTE	SR 53	
H.C.	BARNHISEL	WEATHER	CLOUDY	COUNTY	SANDUSKY	
R.C.	GLASS	TEMP.	50°	TOWNSHIP	RICE	
	RYALL			SECTION	30	
				T	5	N
				R	16	E

TYPE MONUMENT P.K. NAIL/WASHER
 ON SURFACE - ~~BELOW~~ ON
~~LEFT~~ - Q PAV'T - ~~RIGHT~~ ON
12.4' TO LT EDGE PAVEMENT
 S.L.M. 945+19
 Grid: Northing: _____ Easting: _____



RECORD:
 P.I. SURV & CONST
 $\Delta = 00^\circ 36' \text{ LT.}$
 819+87.42
 NOT COVERED
 6/02/03, MDB



O.D.O.T. DISTRICT 2 SURVEY OFFICE

PERSONNEL

REFERENCE NO. 40

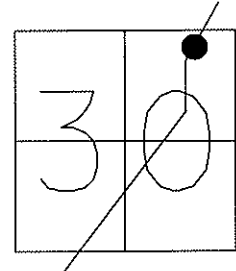
SHEET 18 OF 18

NOTES HOMAN
 H.C. BARNHISEL
 R.C. GLASS
RYALL

DATE 3-27-03
 WEATHER CLOUDY
 TEMP. 50°

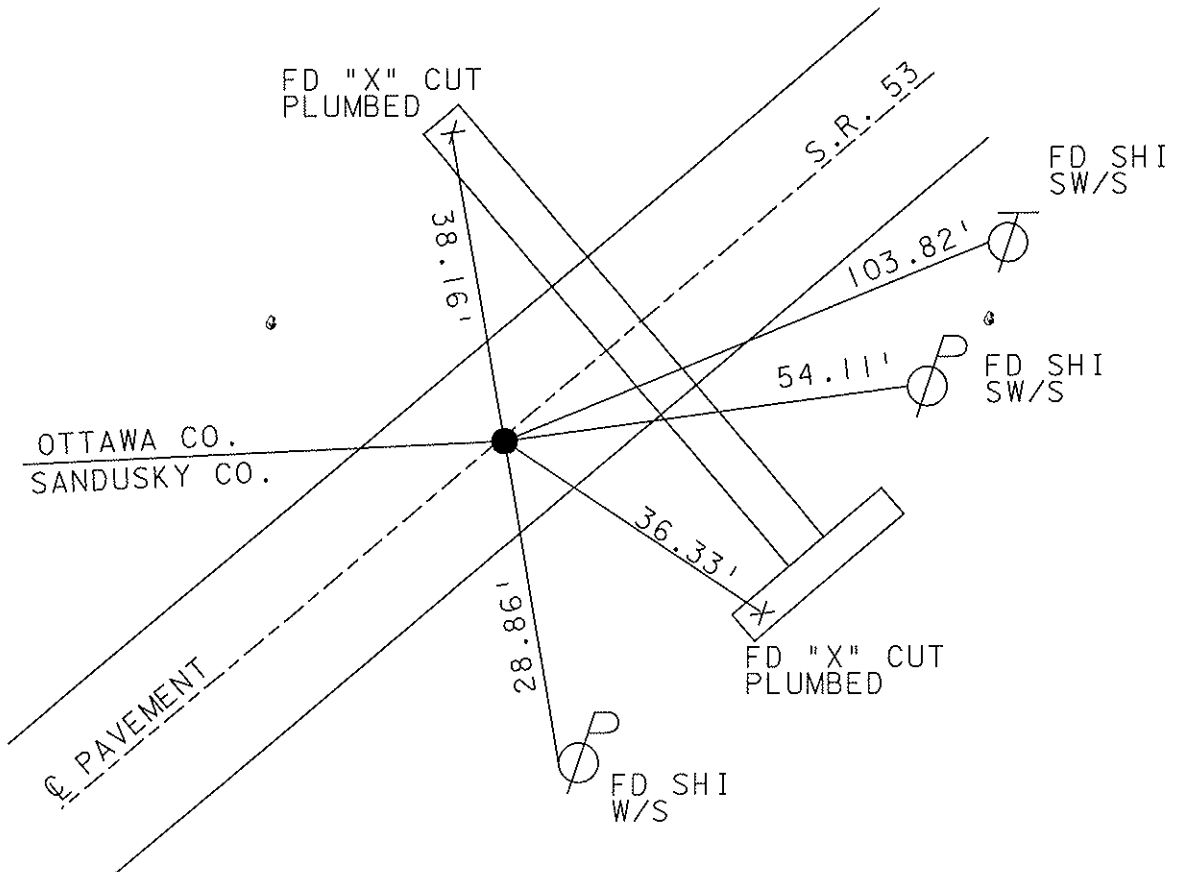
ROUTE S.R. 53
 COUNTY SANDUSKY
 TOWNSHIP RICE
 SECTION 30
T 5 N R 16 E

TYPE MONUMENT PK NAIL & WASHER
 ON SURFACE - ~~BELW~~ YES
~~LEFT - Q PAV'T - RIGHT~~ YES
12.4' TO LT EDGE PAVEMENT
 S.L.M. 945+19



RECORD:
 P.I. SURV & CONST
 DELTA = 00° 36' LT.
 819+87.42

NOT COVERED
 06-02-03
 MDB



O.D.O.T. DISTRICT 2 SURVEY OFFICE

PERSONNEL _____

REFERENCE NO. 40

SHEET 15 OF _____

NOTES Ripple

H.C. BARBOUR

DATE 8-30-90

ROUTE 53

R.C. GEYMAN

WEATHER SUNNY

COUNTY SAND.

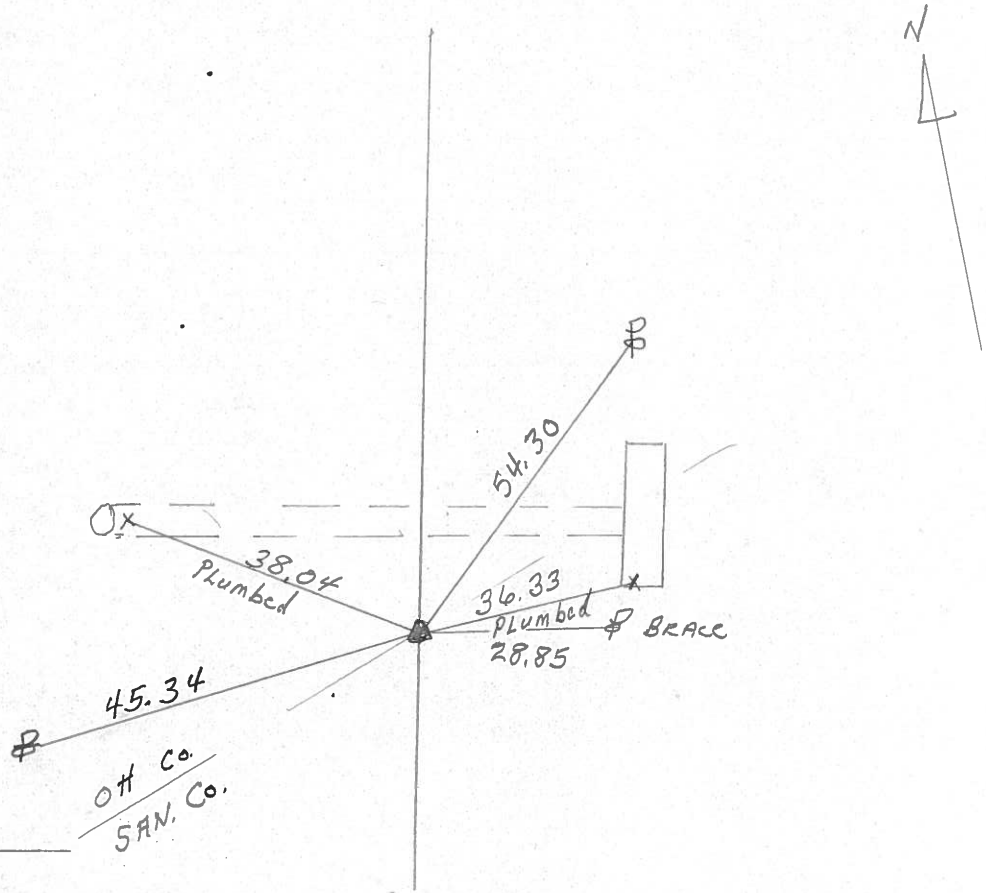
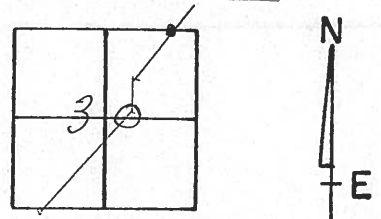
TEMP. 86°

TOWNSHIP RICE

SECTION 30

T 5 N R 16 E

TYPE MONUMENT Set P.K. + Washer
 ON SURFACE - BELOW R/R spike 4" Down
 LEFT - ☉ PAV'T. - RIGHT ☉
 TO _____ EDGE PAVEMENT
 S.L.M. _____



P.I. SUR + CONST
Δ = 00° 36' LT.
819 + 87.42

OH Co.
SAN. Co.

County Sandusky S.R. # 53

Township Rice

Section 30

T5N, R16E

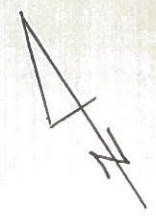
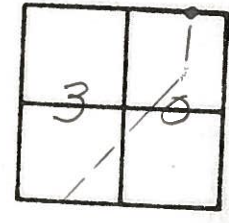
Personnel Cranin
Ripple
Barbour

#40

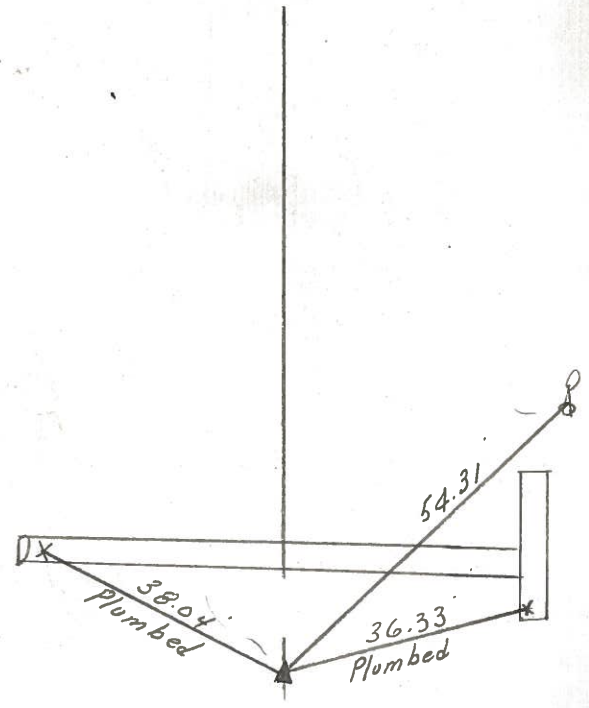
Date 11/18/83

Weather overcast

Temp. 48°



P.I. Sur. & Const
Δ = 00° 36' Lt.
819 + 87.42
Set P.K. & washer atop
R.R. spike (Fd.)



S.R. # 53