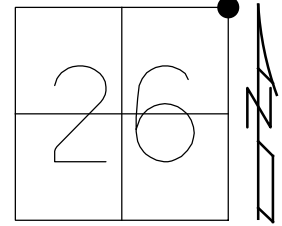


O.D.O.T. DISTRICT 2 SURVEY OFFICE (USE ONLY)

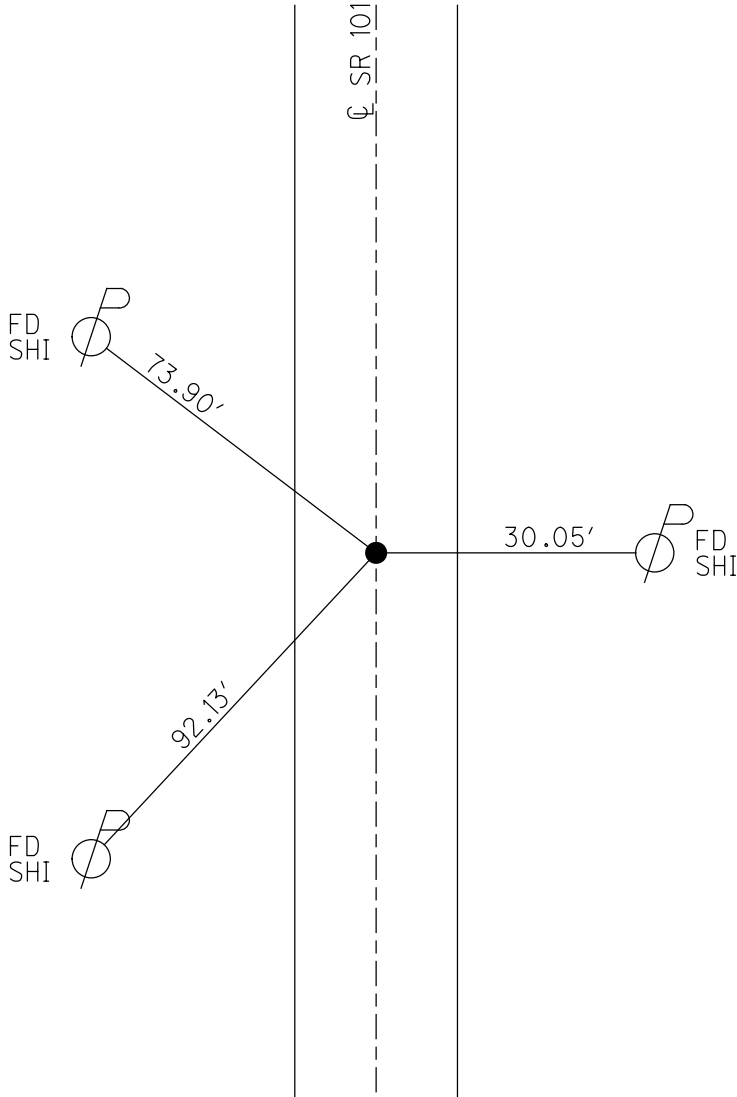
PERSONNEL _____ REFERENCE NO. 5 SHEET 9 OF 13
 NOTES HARBAUGH DATE 8/24/10 ROUTE SR 101
 H.C. MOSER WEATHER FAIR COUNTY SANDUSKY
 R.C. FINGER TEMP. 72° TOWNSHIP GREEN CREEK
 SECTION 26
 DWG BY NIESE PID 85272 T 4 N R 16 E

TYPE MONUMENT P.K./WASHER
 ON SURFACE - ~~BELOW~~ ON
 OFFSET Q PAVEMENT ON LT : RT
- TO - EDGE PAVEMENT
 STATION: 113+58



HORZ.DATUM: NAD83 OH N 3401 GEOID: NAVD88 2007
 GRID: NORTHING: 590000.610 EASTING: 1837936.482

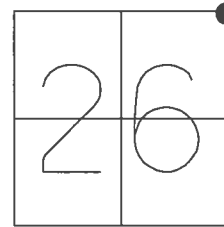
RECORD: P.O.T.
 FD P.K. ATOP
 R.R.SPIKE
 2 1/2" DOWN
 SET P.K./WASHER
 10/1/92
 FD P.K./WASHER
 7/1/08, DCH
 SET MAG/WASHER
 9/29/08
 FD MAG/WASHER
 CL205
 8/24/10, KPM
 REF5
 6/16/16, JFO
 9/12/17, JMR



O.D.O.T. DISTRICT 2 SURVEY OFFICE (USE ONLY)

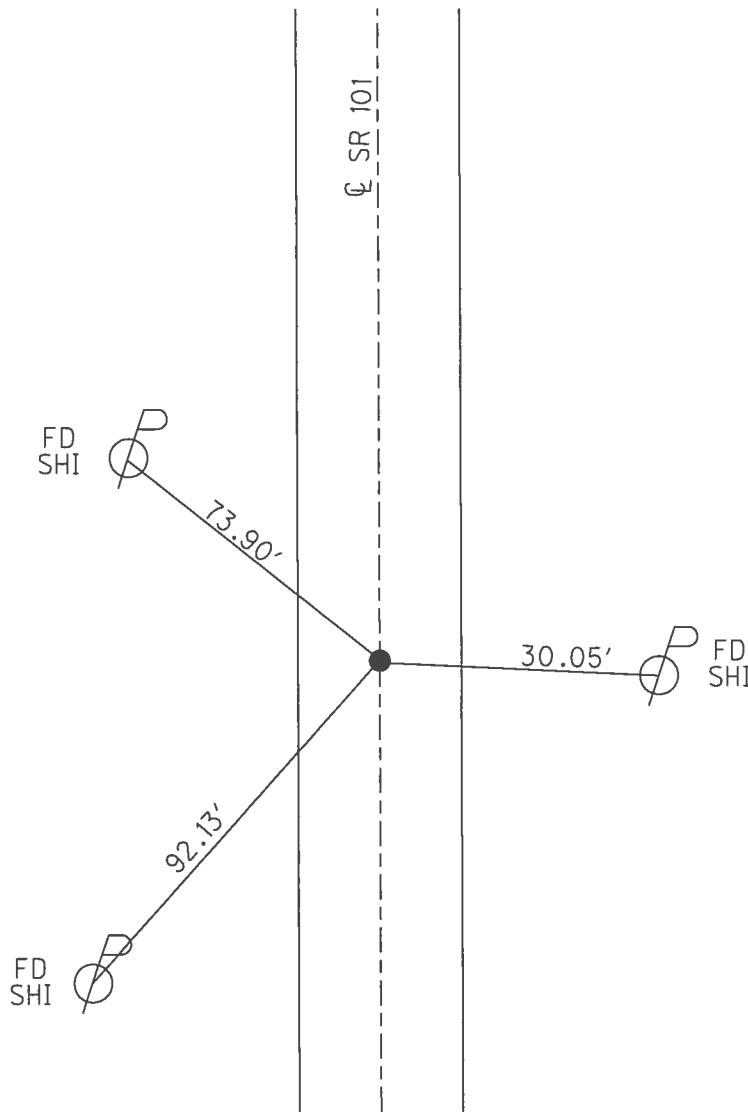
PERSONNEL _____ REFERENCE NO. 5 SHEET 9 OF 11
 NOTES HOMAN DATE 7/1/08 ROUTE SR 101
 H.C. ROUSOS WEATHER SUNNY COUNTY SANDUSKY
 R.C. HOMAN TEMP. 75° TOWNSHIP GREEN CREEK
 _____ SECTION 26
 _____ T 4 N R 16 E

TYPE MONUMENT PK/WASHER
 ON SURFACE - ~~BELOW~~ ON
 LEFT - ☉ PAV'T - RIGHT ON
- TO - EDGE PAVEMENT
 S.L.M. 113+58



GRID: NORTHING: 590000.589 EASTING: 1837936.565

RECORD:
 FD P.K. ATOP
 R.R. SPIKE
 1992
 SET P.K./WASHER
 10/1/92
 FD P.K./WASHER
 7/1/08, DCH
 SET MAG/WASHER
 9/29/08
 FD MAG/WASHER
 REF5
 6/16/16, JFO
 UNCOVERED
 9/12/17, JMR



O.D.O.T. DISTRICT 2 SURVEY OFFICE (USE ONLY)

PERSONNEL _____ REFERENCE NO. 5 SHEET 9 OF 10

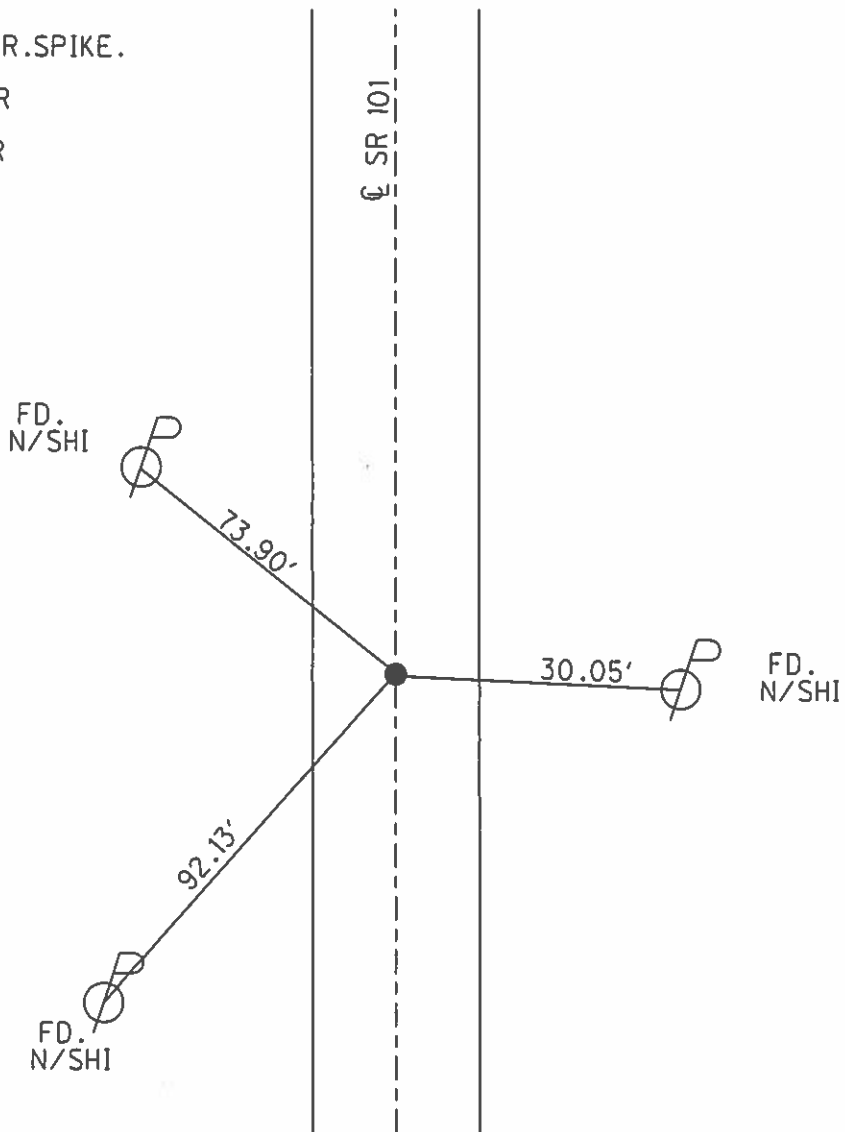
NOTES HOMAN DATE 7-1-2008 ROUTE SR 101
 H.C. ROUSOS WEATHER SUNNY COUNTY SANDUSKY
 R.C. HOMAN TEMP. 75° TOWNSHIP GREEN CREEK
 SECTION 23,24,25,26
 T 4 N R 16 E

TYPE MONUMENT PK/WASHER
 ON SURFACE - ~~BELOW~~ ON
 LEFT - ☉ PAV'T - RIGHT ON
- TO - EDGE PAVEMENT
 S.L.M. 113+58
 GRID: NORTHING: 590005.101 EASTING: 1837936.475

23	24
26	25



RECORD:
 FD P.K. OVER R.R. SPIKE.
 1992
 SET P.K./WASHER
 10/1/92
 SET MAG/WASHER
 9/29/08



O.D.O.T. DISTRICT 2 SURVEY OFFICE

PERSONNEL

REFERENCE NO. # 5

SHEET 8 OF 10

NOTES Cheney

H.C. RIPPLE

R.C. BARBOUR

DATE 10-1-92

WEATHER SUNNY

TEMP. 70°

ROUTE SR# 101

COUNTY SANDUSKY

TOWNSHIP GREEN CREEK

SECTION 23, 24, 25, & 26

T 4 N R 16 E

TYPE MONUMENT R.R. SPK.

~~ON SURFACE~~ - BELOW 2 1/2"

~~LEFT - & PAV'T. - RIGHT~~ yes

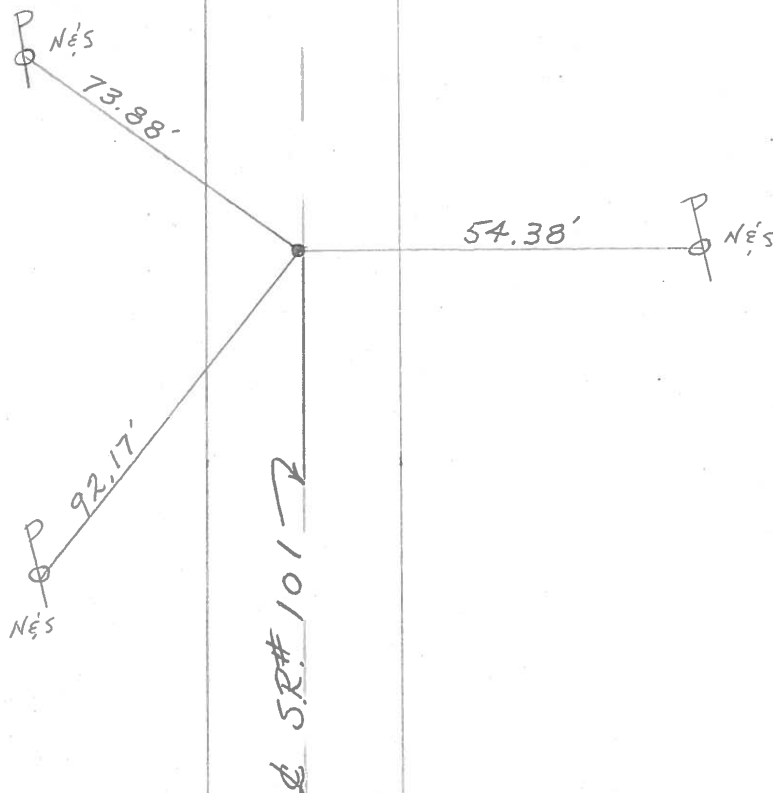
TO EDGE PAVEMENT

S.L.M. 113+58

Re-set
P.K./washer
10-1-92

5

23	24
26	25



County Sandusky S.R. #101

Township Green Creek

Section 23, 24, 25 & 26

T4N, R16E

Personnel Croan

Ripple

Geyman

Barbour

#5

Date 11/17/83

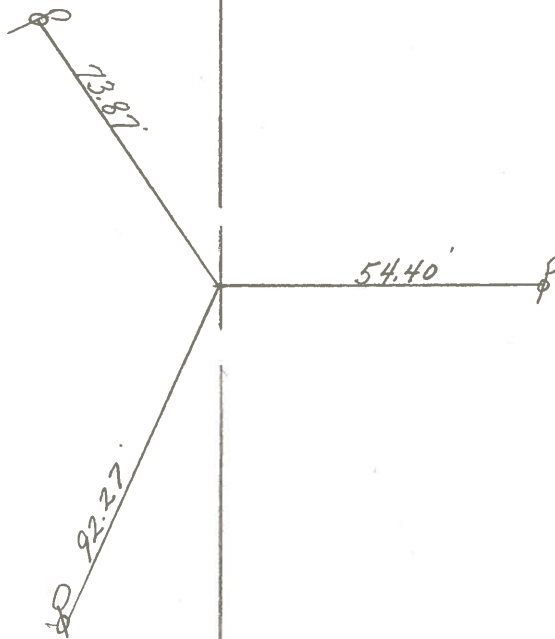
Weather overcast

Temp. 34°

23	24
26	25



Ed. R.R. spike 2 1/2"
below surface



S.R. #101