

O.D.O.T. DISTRICT 2 SURVEY OFFICE (USE ONLY)

PERSONNEL

REFERENCE NO. 6

SHEET 10 OF 13

NOTES HARBAUGH DATE 8/24/10
 H.C. MOSE WEATHER FAIR
 R.C. FINGER TEMP. 72°

ROUTE SR 101
 COUNTY SANDUSKY
 TOWNSHIP GREEN CREEK
 SECTION 23

DWG BY NIESE PID 85272

T 4 N R 16 E

TYPE MONUMENT MAG/WASHER

ON SURFACE - ~~BELOW~~ ON

OFFSET Q PAVEMENT ON LT : RT

- TO - EDGE PAVEMENT

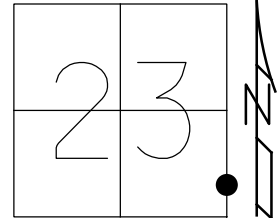
STATION: 121+46.96

HORZ. DATUM: NAD83 OH N 3401

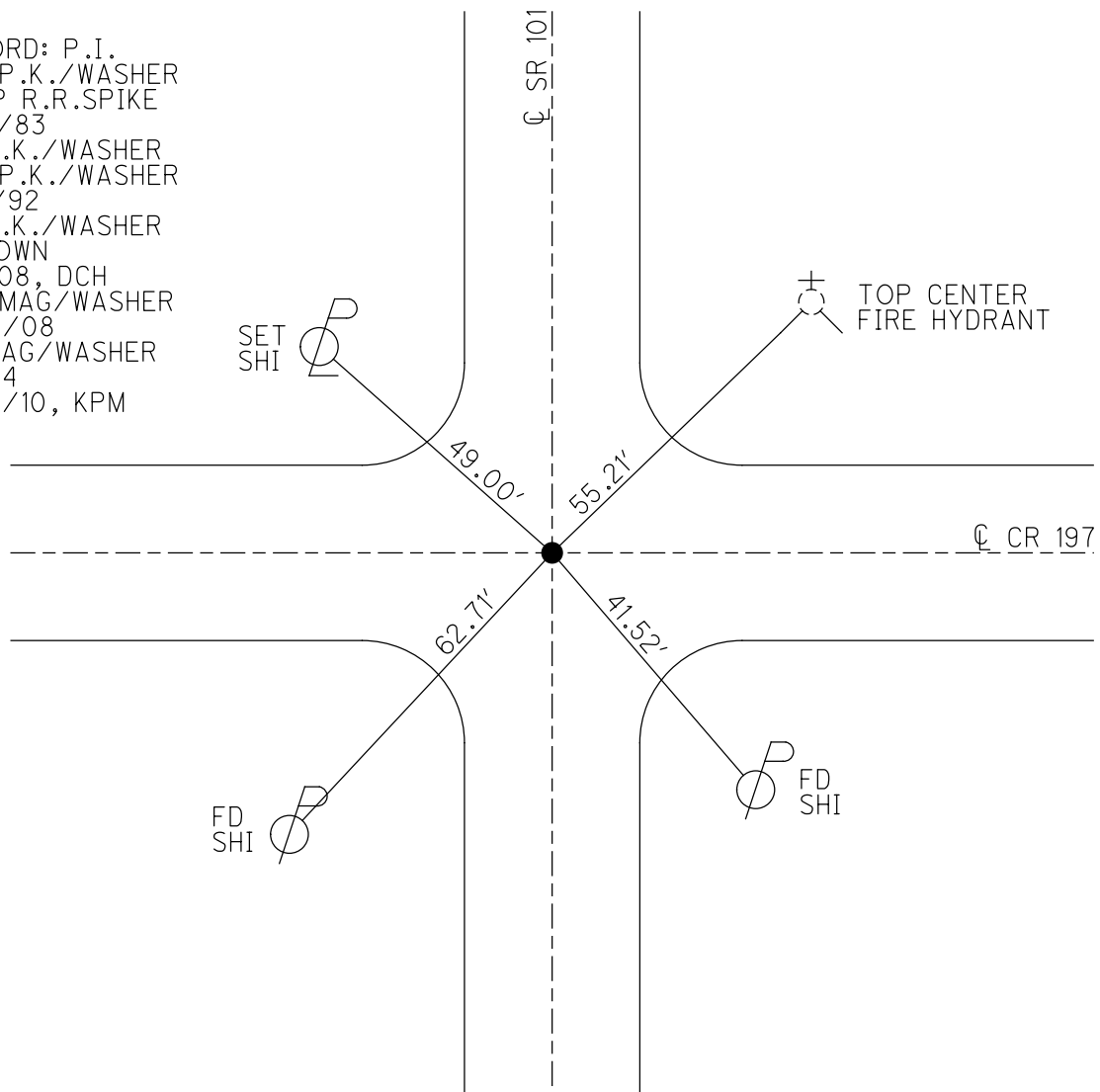
GEOID: NAVD88 2007

GRID: NORTHING: 590789.496

EASTING: 1837947.246



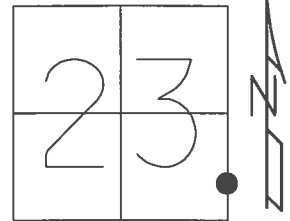
RECORD: P.I.
 SET P.K./WASHER
 ATOP R.R.SPIKE
 11/17/83
 FD P.K./WASHER
 SET P.K./WASHER
 10/1/92
 FD P.K./WASHER
 2" DOWN
 7/1/08, DCH
 SET MAG/WASHER
 9/29/08
 FD MAG/WASHER
 CL204
 8/24/10, KPM



O.D.O.T. DISTRICT 2 SURVEY OFFICE (USE ONLY)

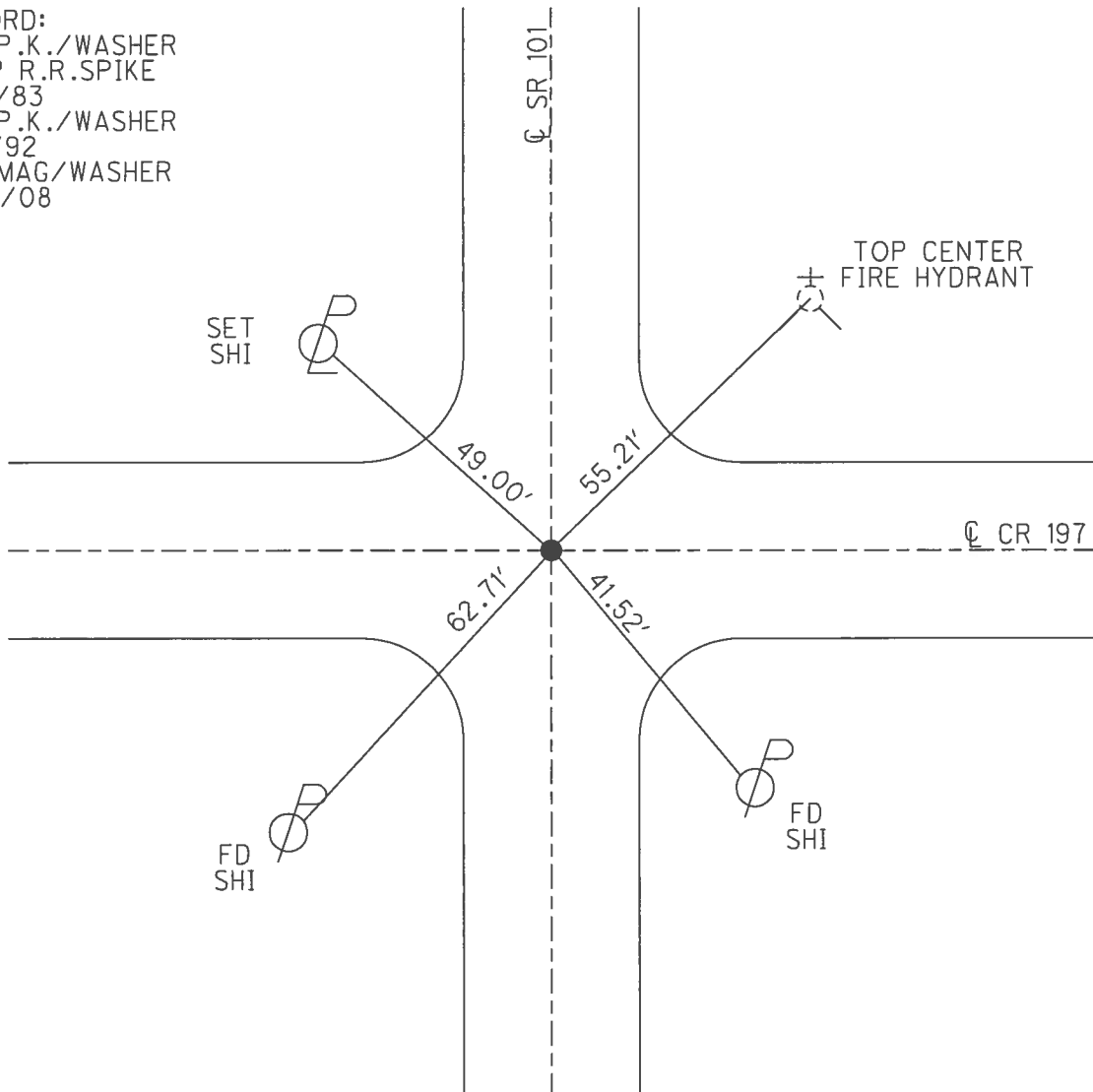
PERSONNEL _____ REFERENCE NO. 6 SHEET 10 OF 11
 NOTES HOMAN DATE 7/1/08 ROUTE SR 101
 H.C. ROUSOS WEATHER SUNNY COUNTY SANDUSKY
 R.C. HOMAN TEMP. 75° TOWNSHIP GREEN CREEK
 _____ SECTION 23
 _____ T 4 N R 16 E

TYPE MONUMENT PK/WASHER
~~ON SURFACE~~ - BELOW 2"
 LEFT - ☉ PAV'T - RIGHT ON
- TO - EDGE PAVEMENT
 S.L.M. 121+48



GRID: NORTHING: 590789.458 EASTING: 1837947.282

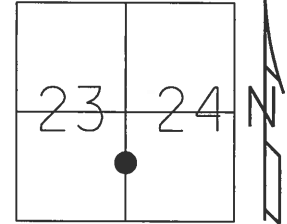
RECORD:
 SET P.K./WASHER
 ATOP R.R.SPIKE
 11/17/83
 SET P.K./WASHER
 10/1/92
 SET MAG/WASHER
 9/29/08



O.D.O.T. DISTRICT 2 SURVEY OFFICE (USE ONLY)

PERSONNEL _____ REFERENCE NO. 6 SHEET 10 OF 10
 NOTES HOMAN DATE 7-1-2008 ROUTE SR 101
 H.C. ROUSOS WEATHER SUNNY COUNTY SANDUSKY
 R.C. HOMAN TEMP. 75° TOWNSHIP GREEN CREEK
 SECTION 23, 24
 T 4 N R 16 E

TYPE MONUMENT PK/WASHER
~~ON SURFACE~~ - BELOW 2"
 LEFT - ☉ PAV'T - RIGHT ON
- TO - EDGE PAVEMENT
 S.L.M. 121+48

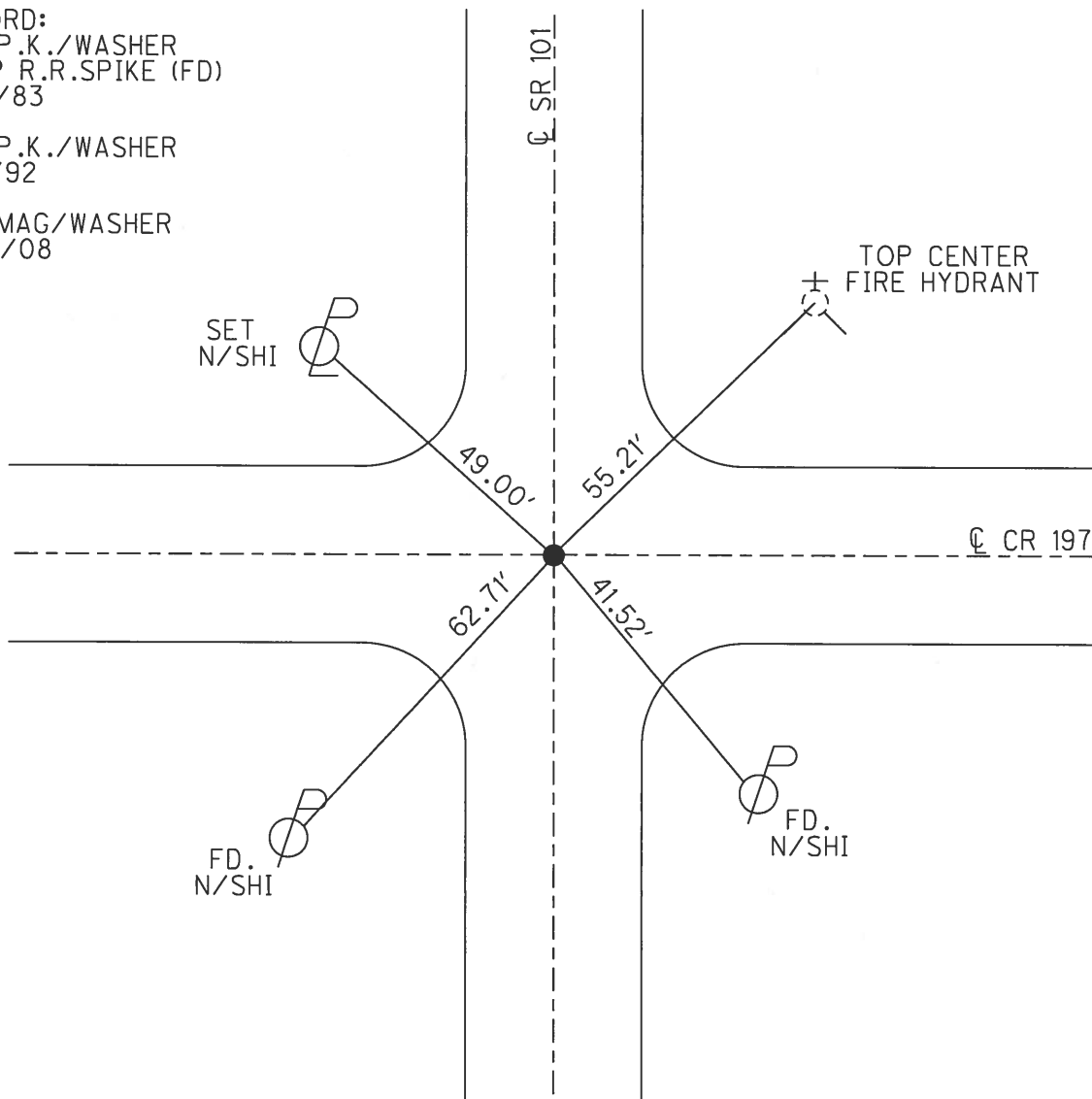


GRID: NORTHING: 590789.458 EASTING: 1837947.282

RECORD:
 SET P.K./WASHER
 ATOP R.R.SPIKE (FD)
 11/17/83

 SET P.K./WASHER
 10/1/92

 SET MAG/WASHER
 9/29/08



O.D.O.T. DISTRICT 2 SURVEY OFFICE

PERSONNEL

REFERENCE NO. #6

SHEET 9 OF 10

NOTES Cheney

H.C. RIPPLE

R.C. BARBOUR

DATE 10-1-92

WEATHER Sunny

TEMP. 70

ROUTE SR# 101

COUNTY SANDUSKY

TOWNSHIP GREEN CREEK

SECTION 23 & 24

T4 N R 16 E

TYPE MONUMENT P.K. NAIL & WASHER

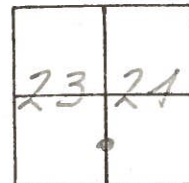
ON SURFACE - ~~BELOW~~ yes

~~LEFT - & PAV'T. - RIGHT~~ yes

TO EDGE PAVEMENT

S.L.M. 121+48

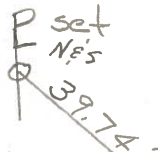
⑥



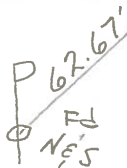
Record:

Set P.K. & washer
A Top R.R. spike (Fd)
11-17-83

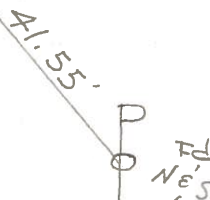
Re-Set P.K. / washer
10-1-92



Co. Rd. # 197



SR# 101



County Sandusky S. R. #101

Date 11/17/83

Township Green Creek

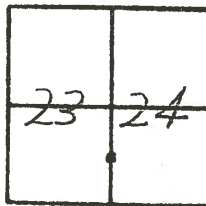
Weather overcast

Section _____

Temp. 34°

T 4 N, R 16 E

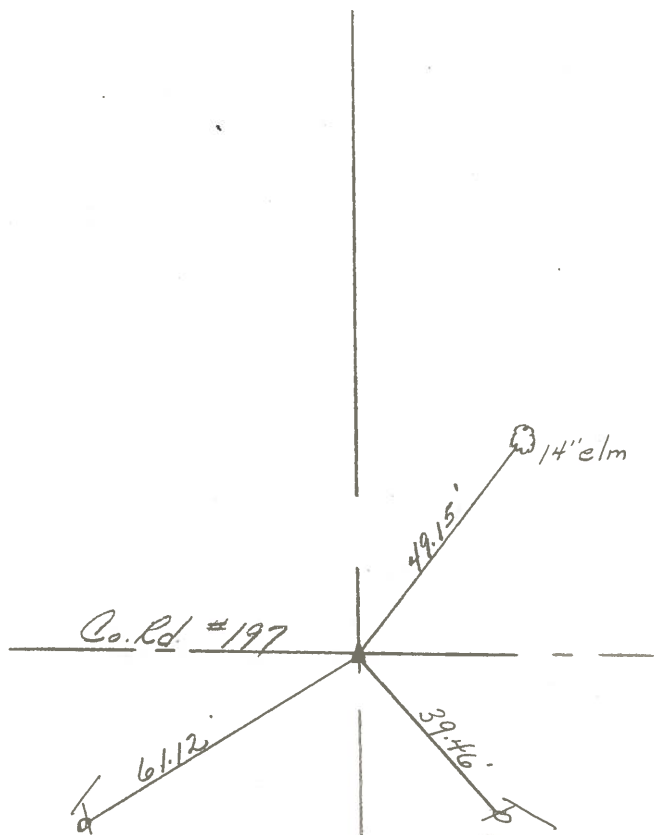
Personnel Cronin



Ripple
Geyman
Barbour

#6

set P.K. & washer
2 top R.R spike (Fd.)



S. R. #101

PERSONNEL TITLE PERSONNEL TITLE

Schneider
Mossier
Barbour
Potts

COUNTY Sandusky

DATE Feb. 29, 1968

S. R. # 101

WEATHER

SEC. Sen. San. Co. Line North

TEMP.

DESCRIPTION Ties for Corn & Points

JOB NO.

LEFT CENTER LINE RIGHT

