

O.D.O.T. DISTRICT 2 SURVEY OFFICE (USE ONLY)

PERSONNEL

REFERENCE NO. 7

SHEET 11 OF 13

NOTES HARBAUGH

DATE 8/24/10

ROUTE SR 101

H.C. MOSE

WEATHER FAIR

COUNTY SANDUSKY

R.C. FINGER

TEMP. 72°

TOWNSHIP GREEN CREEK

DWG BY NIESE

PID 85272

SECTION 23

T 4 N R 16 E

TYPE MONUMENT P.K./WASHER

ON SURFACE - ~~BELOW~~ ON

OFFSET C PAVEMENT 2.0' LT : ~~RT~~

- TO - EDGE PAVEMENT

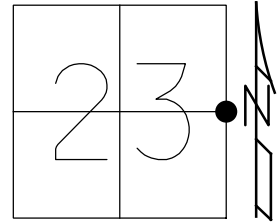
STATION: 140+00.42

HORIZ.DATUM: NAD83 OH N 3401

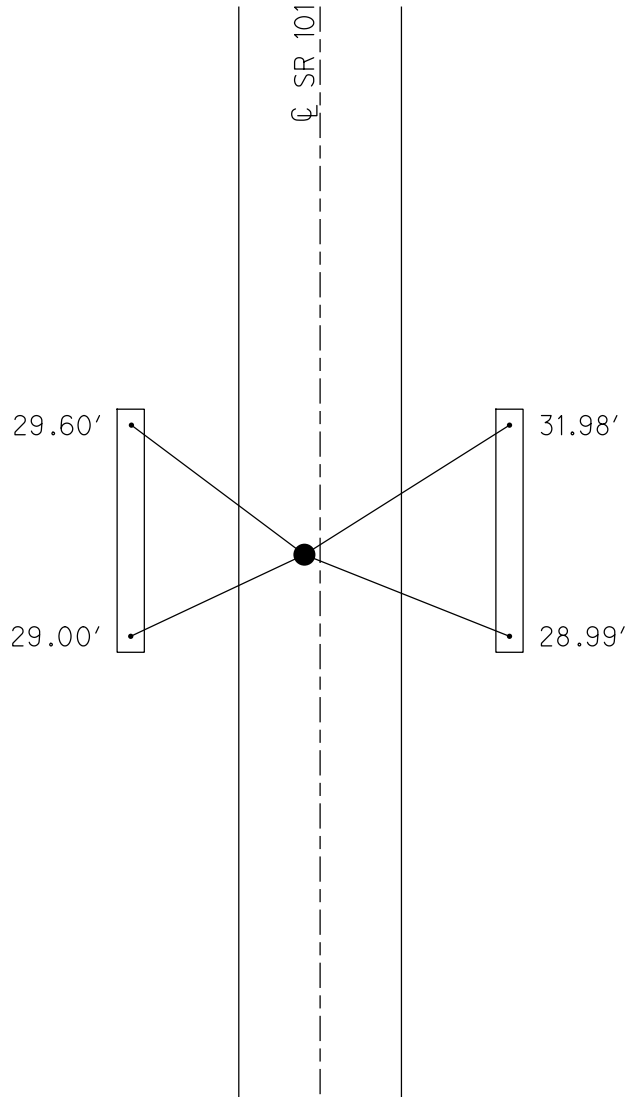
GEOID: NAVD88 2007

GRID: NORTHING: 592642.663

EASTING: 1837980.024



RECORD: P.I.
FD R.R.SPIKE
2" DOWN
SET P.K./WASHER
10/1/92
FD P.K./WASHER
CL203
8/24/10, KPM

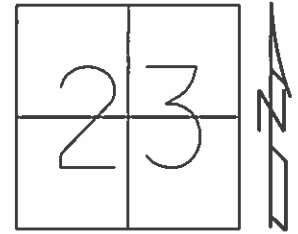


DRILL HOLES IN
CONC. HEADWALLS

O.D.O.T. DISTRICT 2 SURVEY OFFICE (USE ONLY)

PERSONNEL _____ REFERENCE NO. 7 SHEET 10 OF 10
 NOTES CHENEY DATE 10/1/92 ROUTE SR 101
 H.C. RIPPLE WEATHER SUNNY COUNTY SANDUSKY
 R.C. BARBOUR TEMP. 70° TOWNSHIP GREEN CREEK
 SECTION 23
 T 4 N R 16 E

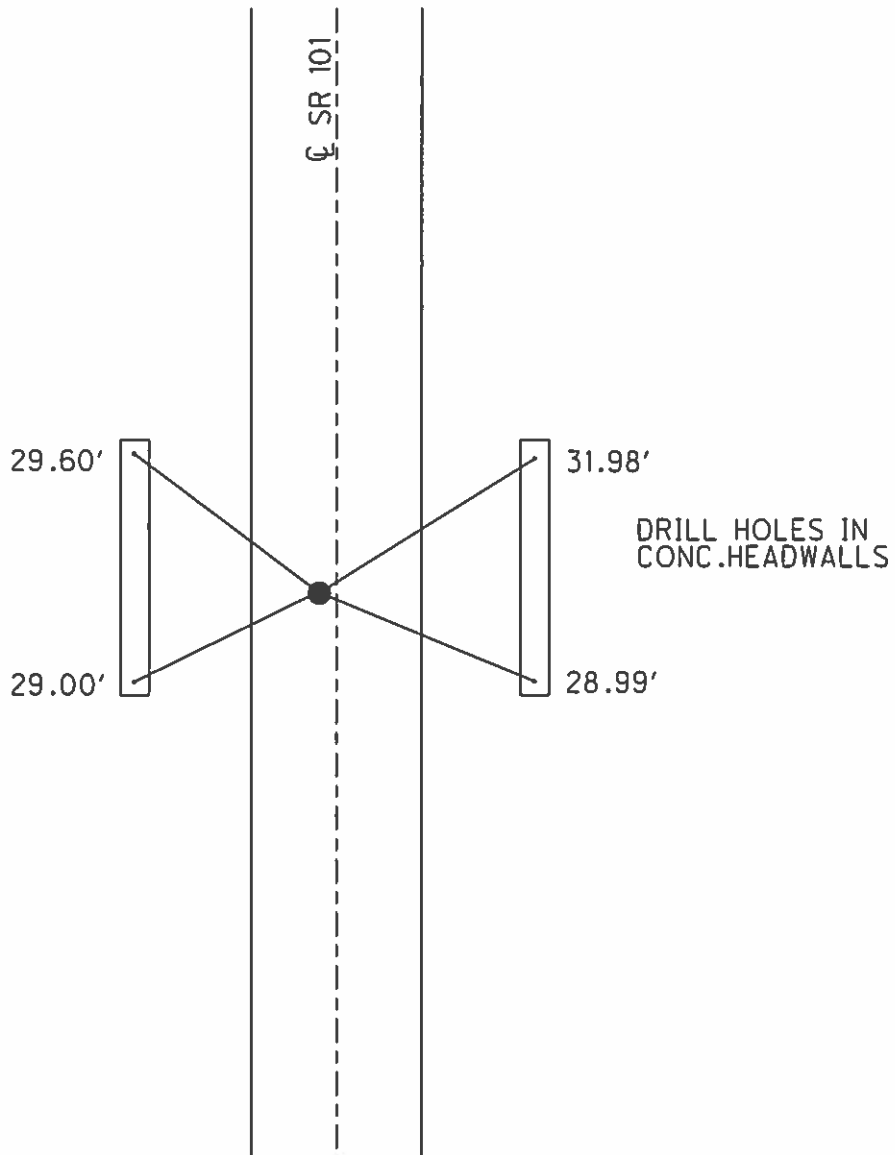
TYPE MONUMENT R.R.SPIKE
~~ON SURFACE~~ - BELOW BELOW
 LEFT - ☉ PAV'T - ~~RIGHT~~ 2'
- TO - EDGE PAVEMENT
 S.L.M. 140+00.42



Grid: Northing: 592642.663 Easting: 1837980.024

SET P.K./WASHER
10/1/92

FD P.K./WASHER
7/12/10

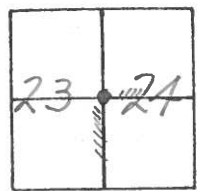


O.D.O.T. DISTRICT 2 SURVEY OFFICE

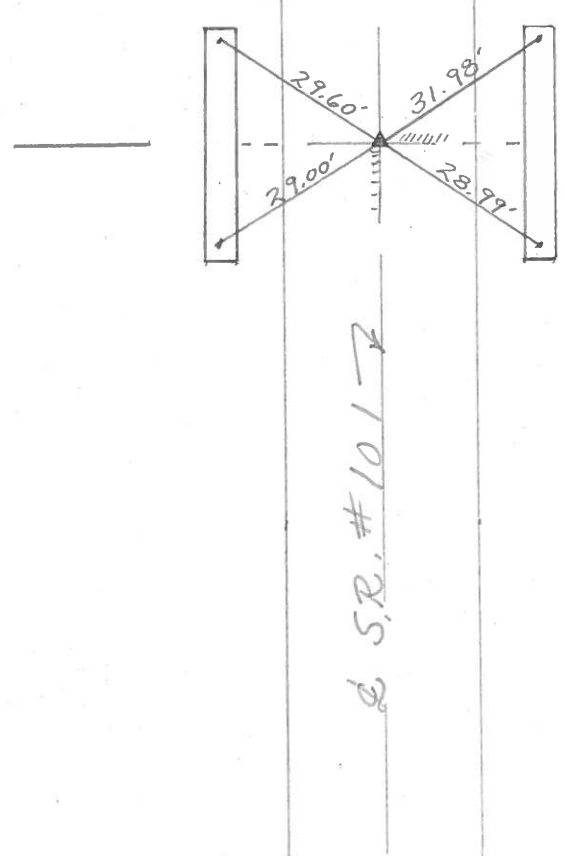
PERSONNEL _____ REFERENCE NO. #7 SHEET 10 OF 10
 NOTES Cheney
 H.C. RIPPLE DATE 10-1-92 ROUTE SR#101
 R.C. BARBOUR WEATHER SUNNY COUNTY SANDUSKY
 _____ TEMP. 70° TOWNSHIP GREEN CREEK
 _____ SECTION 23 E 24
 _____ T 4 N R 16 E

TYPE MONUMENT R.R. SPK;
~~ON SURFACE - BELOW~~ _____
 LEFT - ~~C~~ PAV'T. - RIGHT 2'
 _____ TO _____ EDGE PAVEMENT
 S.L.M. 140+01

Re-set
 P.K./washer
 10-1-92
 (7)



R.R. spk. below surface



• - drill holes in conc. head walls

SR #101 →

County Sandusky S.R. #101

Township Green Creek

Section 23 E 24

T4N, R16E

Personnel Cromin

Ripple

Geyman

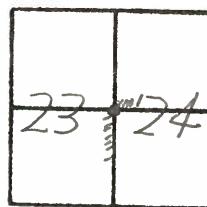
Garbour

#7

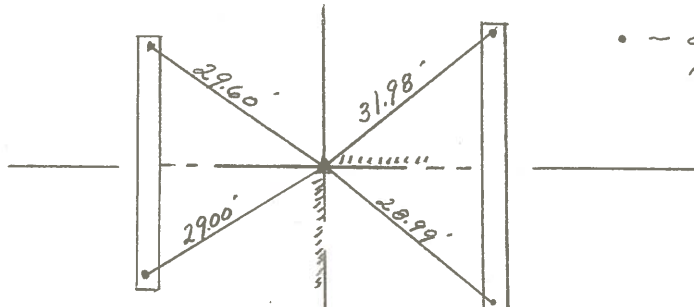
Date 11/17/83

Weather overcast

Temp. 34°



Ed R.R spike on surface



• - drill holes in conc. hd walls

S.R. #101