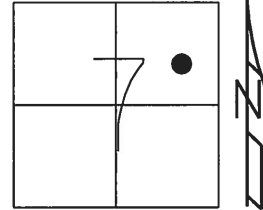


O.D.O.T. DISTRICT 2 SURVEY OFFICE (USE ONLY)

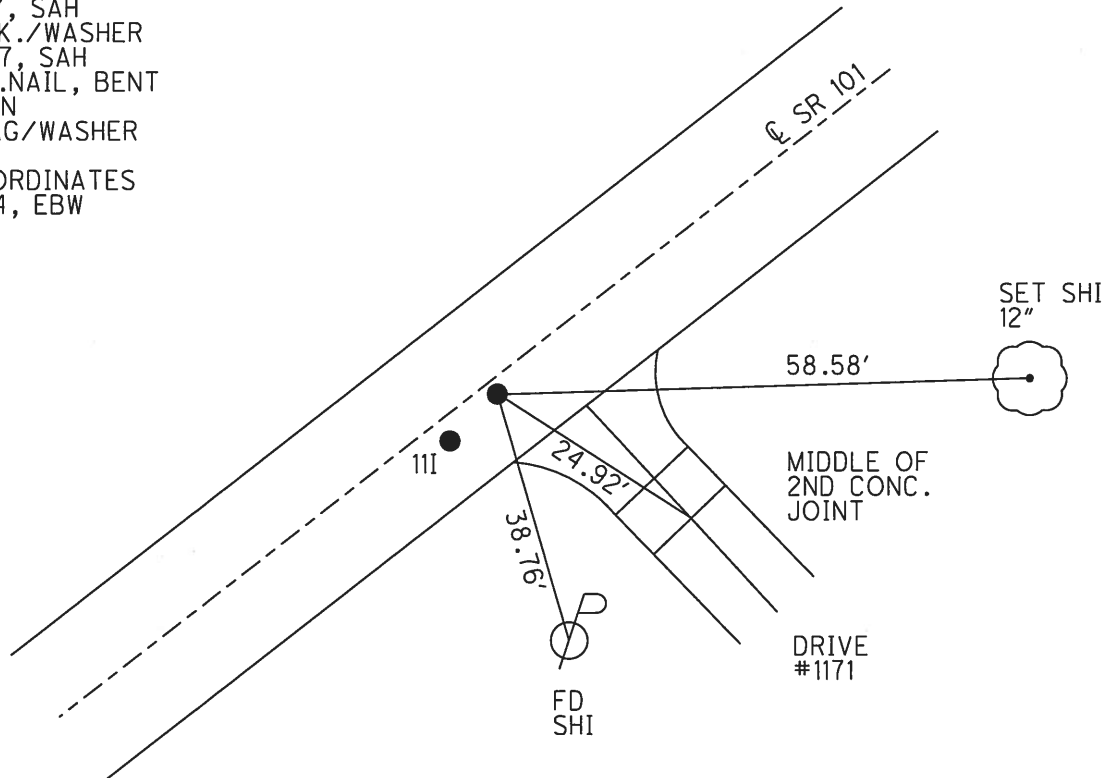
PERSONNEL \_\_\_\_\_ REFERENCE NO. 11 I SHEET 22 OF 39  
 NOTES AUBLE DATE 3/9/18 ROUTE SR 101  
 H.C. LEU WEATHER CLOUDY COUNTY SANDUSKY  
 R.C. AUBLE TEMP. 32° TOWNSHIP YORK  
 SECTION 7  
 T 4 N R 17 E

TYPE MONUMENT MAG/WASHER  
 ON SURFACE - ~~BELOW~~ ON \_\_\_\_\_  
~~LEFT~~ - Q PAV'T - RIGHT 2.5'  
8.4' TO RT EDGE PAVEMENT  
 S.L.M. 306+92.35  
 Grid: Northing: 603938.034 Easting: 1847375.494



RECORD:  
 ORIGIN UNKNOWN  
 FD P.K./WASHER  
 10/14/87, CRONIN  
 FD P.K./WASHER  
 8/4/97, SAH  
 SET P.K./WASHER  
 8/21/97, SAH  
 FD P.K.NAIL, BENT  
 3" DOWN  
 SET MAG/WASHER  
 REFG11  
 BY COORDINATES  
 11/14/14, EBW

DIST. 11H-11I = 4.34'



# O.D.O.T. DISTRICT 2 SURVEY OFFICE

PERSONNEL \_\_\_\_\_

REFERENCE NO. \_\_\_\_\_

SHEET 8 OF 37

NOTES Huss

H.C. Van Dusen

R.C. Moser

DATE 8-4-97

WEATHER Cldy. Sprinkler

TEMP. +78° F

ROUTE 101

COUNTY Sandusky

TOWNSHIP York

SECTION 7

T 4 N R 17 E

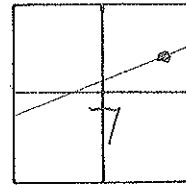
TYPE MONUMENT PK/W (A) (B) (C)

(ON SURFACE) - ~~BELOW~~ surface

~~LEFT~~ PAV'T. (RIGHT) (A) 2.7' Rt (B) 1.3' Rt (C) 0.9' Rt

(A) 7.0' TO Rt. EDGE PAVEMENT (B) 8.4' Rt. (C) 9.0' Rt.

S.L.M. (A) 8+373.77 (B) 8+376.11 (C) 8+385.87



Record 102+00.90

PI  $\Delta = 08^{\circ} 05' 00''$  Lt.

PK/W atop R.R. spk.

spk. below surface

*Corrin  
10-14-87*

PTS. B & C  
ORIGIN UNKNOWN

Set PK/W  
8-21-97 SAH

NOTE: Possible Incorrect  
S&C Station  
check before using

