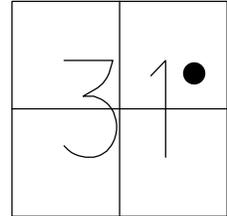


O.D.O.T. DISTRICT 2 SURVEY OFFICE (USE ONLY)

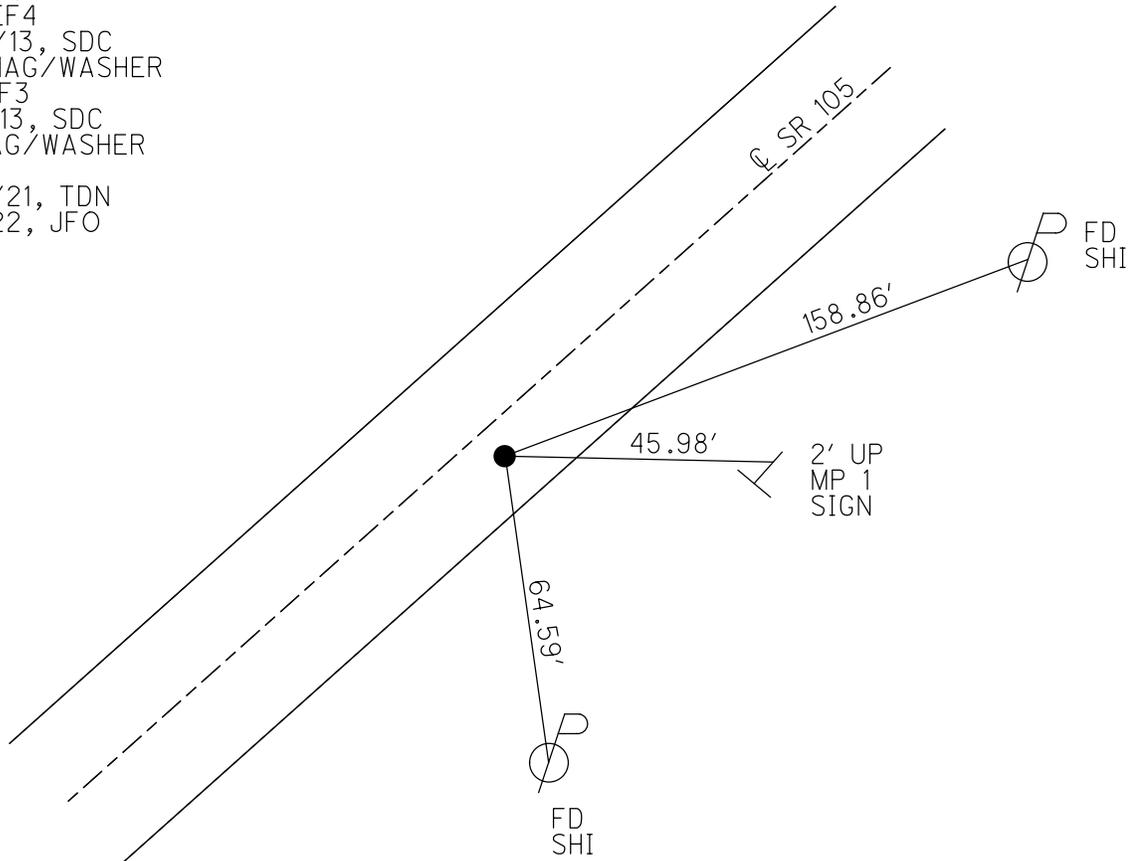
PERSONNEL _____ REFERENCE NO. 3 SHEET 4 OF 13
 NOTES RHOADES DATE 5/25/21 ROUTE SR 105
 H.C. NIESE WEATHER FAIR COUNTY SANDUSKY
 R.C. RHOADES TEMP. 79° TOWNSHIP WOODVILLE
 _____ SECTION 31
 DWG BY RHOADES PID PVTRAIN T 6 N R 13 E

TYPE MONUMENT MAG/WASHER
 ON SURFACE - ~~BELOW~~ ON _____
 OFFSET \varnothing PAVEMENT 3.7' ~~LT~~ : RT
6.5' TO RT EDGE PAVEMENT
 STATION: 52+21.4



HORIZ.DATUM: NAD83 2011 GEOID: NAVD88 2018
 GRID: NORTHING: 645759.194 EASTING: 1721418.144

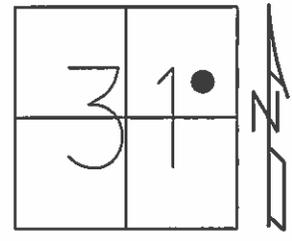
RECORD:
 FD P.K./WASHER
 0.2' DOWN
 SANREF4
 4/30/13, SDC
 SET MAG/WASHER
 FINREF3
 5/31/13, SDC
 FD MAG/WASHER
 REF3
 5/25/21, TDN
 4/7/22, JFO



O.D.O.T. DISTRICT 2 SURVEY OFFICE (USE ONLY)

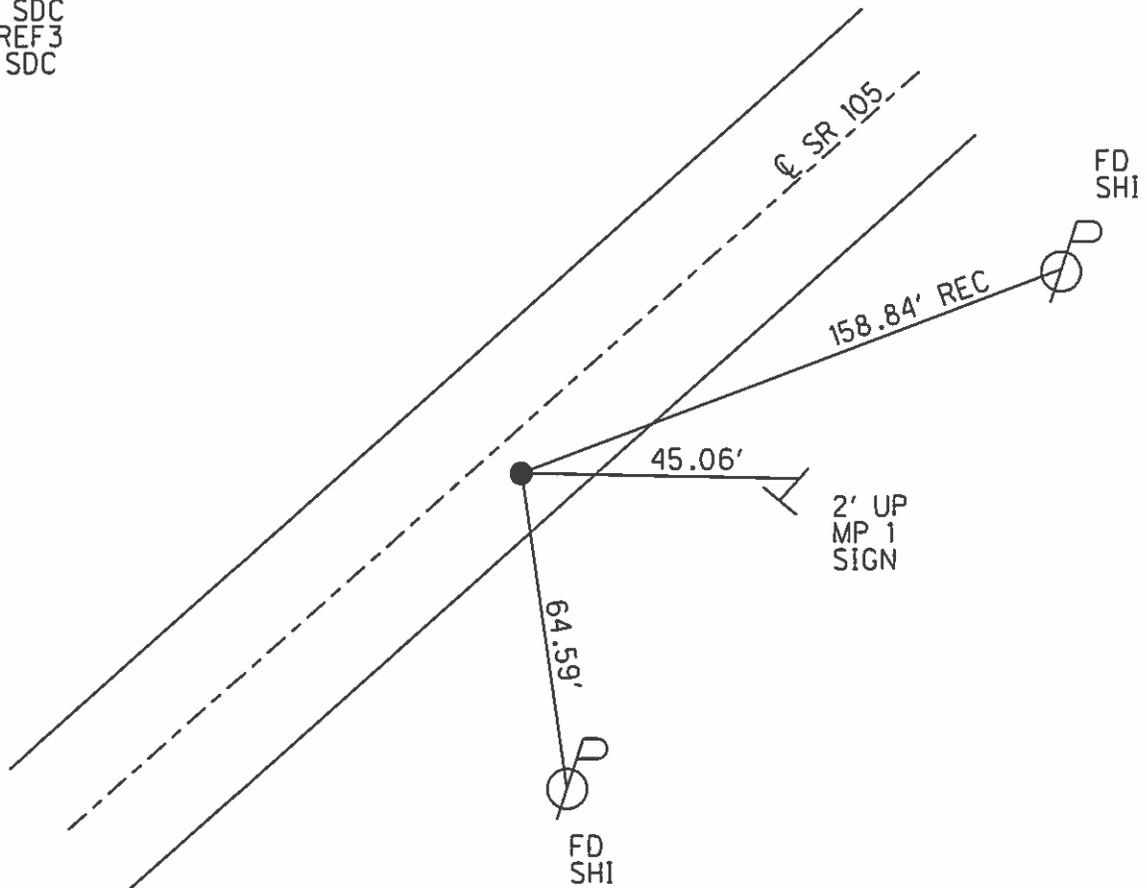
PERSONNEL	REFERENCE NO. <u>3</u>	SHEET <u>4</u> OF <u>13</u>
NOTES <u>RHOADES</u>	DATE <u>4/30/13</u>	ROUTE <u>SR 105</u>
H.C. <u>CODER</u>	WEATHER <u>CLEAR</u>	COUNTY <u>SANDUSKY</u>
R.C. <u>LAU</u>	TEMP. <u>51°</u>	TOWNSHIP <u>WOODVILLE</u>
		SECTION <u>31</u>
		T <u>6</u> N R <u>13</u> E

TYPE MONUMENT P.K./WASHER
~~ON SURFACE~~ - BELOW 2'
~~LEFT~~ - C PAV'T - RIGHT 3.7'
6.5' TO RT EDGE PAVEMENT
 S.L.M. 52+21.4
 Grid: Northing: 645759.207 Easting: 1721418.037



FD P.K. 0.2' DOWN
 GPS, SANREF4

SET MAG/WASHER
 5/23/13, SDC
 GPS, FINREF3
 5/31/13, SDC



O.D.O.T. DISTRICT 2 SURVEY OFFICE

PERSONNEL

REFERENCE NO. 3

SHEET OF

NOTES P. Cheney

H.C. B. Barkow

R.C. R. Geyman

J. Ripple

DATE 10-31-91

WEATHER Cloudy

TEMP. 60°

ROUTE 105

COUNTY SAN.

TOWNSHIP Woodville

SECTION 31

T 6 N R 13 E

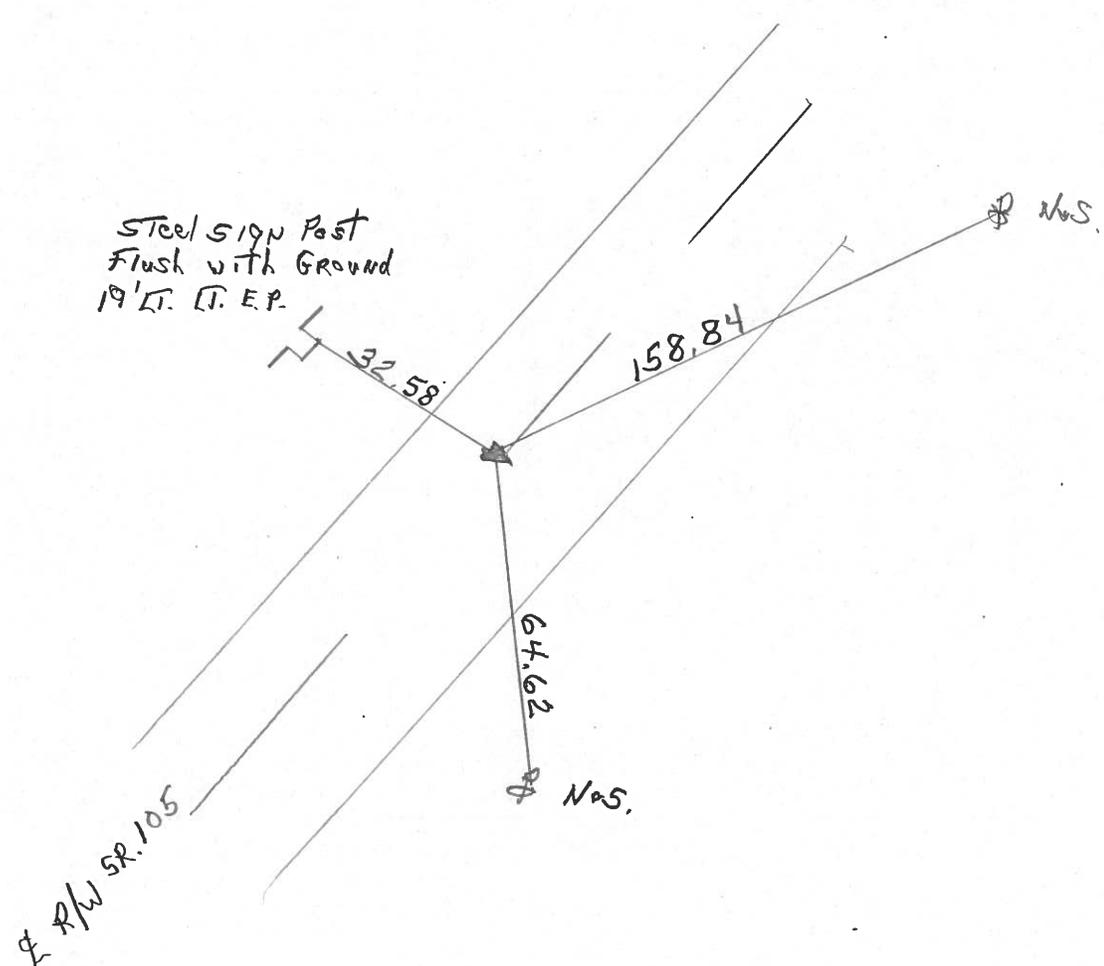
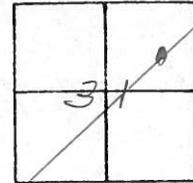
TYPE MONUMENT P.K. Washer

~~ON SURFACE - BELOW~~ P.K. Washer

~~LEFT - C PAV'T. - RIGHT~~ 3.7' RT.

6.5 TO RT. EDGE PAVEMENT

S.L.M. 52 + 21.4



County Sandusky S.R. # 105

Date 6/30/82

Township Woodville

Weather sunny

Section 31

Temp. 66°

T6N, R3E

Personnel Cronin

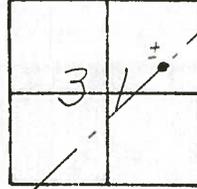
Ripple

Geyman

Mosser

Barbour

(3)



4/24/91 TEMP 42°

EMENLEY
BAR-HC
GEY-PC
RIT-FLAG

10-31-71
CLOUDY
60°

6.5' TO RT. EIP.
3.5' RT E.

P.I. - Δ = 2° 39' Lt.

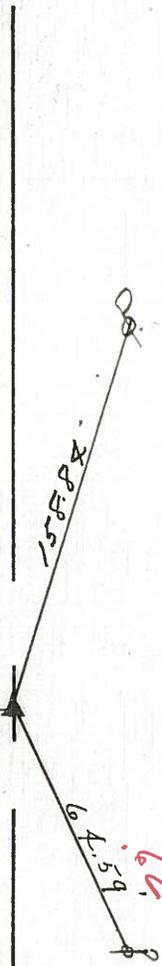
52 + 21.40

P.K. & Washer atop R.R. spike

3.5' Rt. & Pavement

32.56'
steel sign post
flush with ground
19' Lt. Lt. E.P.

R/W S.R. # 105



County Sandusky S.R. #105

Date 6/30/82

Township Woodville

Weather sunny

Section 31

Temp. 66°

T6N, R3E

Personnel Cronin

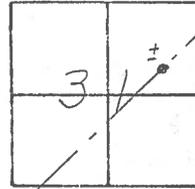
Ripple

Geuman

Mosser

Barbour

#3



P.I. - A = 2° 39' Lt.

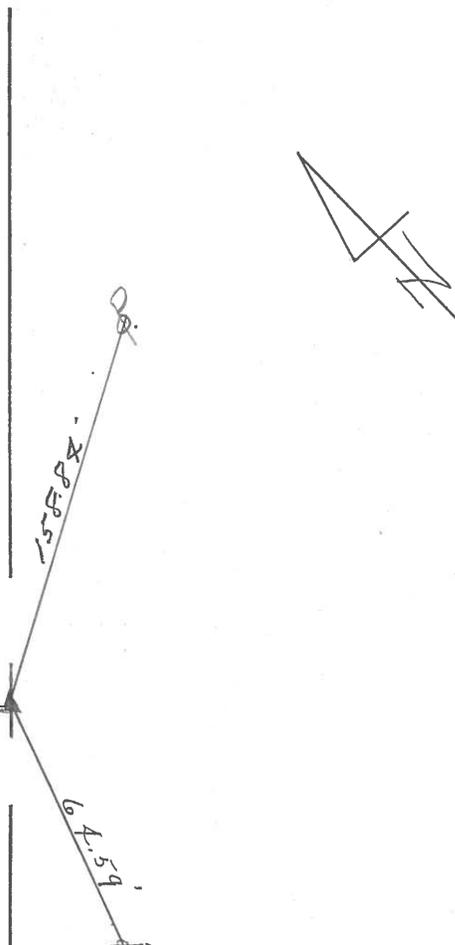
52+21.40

P.K. & washer atop R.R. spike

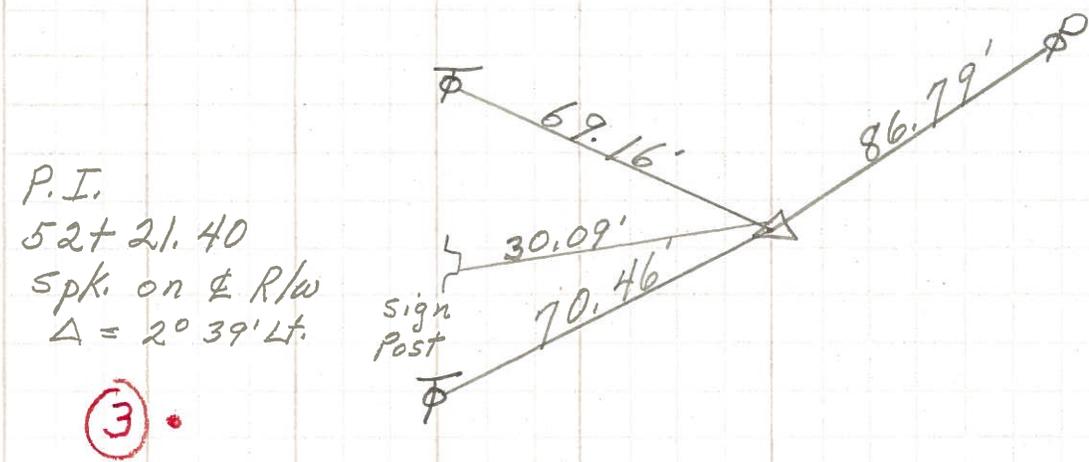
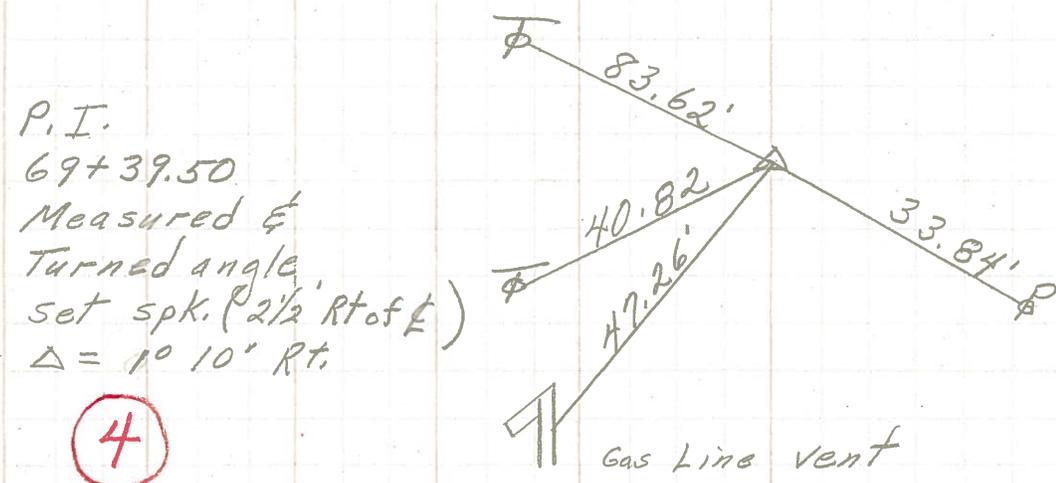
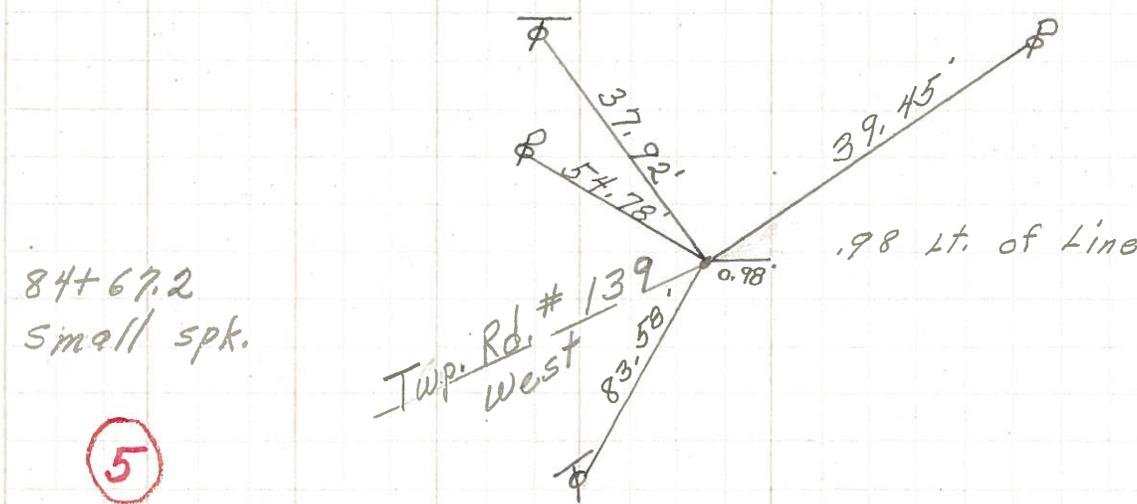
3.5' Rt. & Pavement

32.56'
steel sign post
flush with ground
19' Lt. Lt. E.P.

S.R./W S.R. #105



PERSONNEL	TITLE	PERSONNEL	TITLE	COUNTY	DATE
<u>Schneider</u>				<u>Sandusky</u>	<u>5-18-72</u>
				S. R. <u>105</u>	WEATHER <u>Fair</u>
				SEC. <u>31 & 32</u>	TEMP. <u>55°</u>
DESCRIPTION	<u>Woodville Twp.</u>	<u>SR.# 23 to Woodville</u>		JOB NO.	
	LEFT	CENTER LINE	RIGHT		



PERSONNEL	TITLE	PERSONNEL	TITLE	COUNTY	DATE
<u>Schneider</u>		<u>Potts</u>		<u>Sandusky</u>	<u>4-17-68</u>
<u>Mosser</u>				S. R. <u>105</u>	WEATHER <u>cloudy</u>
<u>Barbour</u>				SEC. <u>Wood Co. Line to Woodville</u>	TEMP. <u>50°</u>
<u>Redding</u>					

DESCRIPTION Ties for Control Points JOB NO. _____

