

O.D.O.T. DISTRICT 2 SURVEY OFFICE (USE ONLY)

PERSONNEL

REFERENCE NO. BUS39 A

SHEET 1 OF 4

NOTES RHOADES

DATE 5/27/20

ROUTE BUS 20

H.C. LEU

WEATHER CLOUDY

COUNTY SANDUSKY

R.C. AUBLE

TEMP. 74°

TOWNSHIP GREEN CREEK

DWG BY NIESE PID 102898

SECTION 6

T 4 N R 16 E

TYPE MONUMENT MAG NAIL

ON SURFACE - ~~BELOW~~ ON

OFFSET Q PAVEMENT 12.0' ~~LT~~ : RT

0.6' TO RT EDGE PAVEMENT

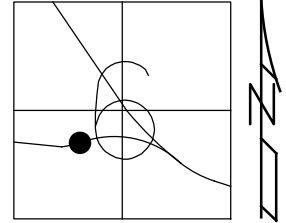
STATION: 17+18.71

HORIZ.DATUM: NAD83 (2011)

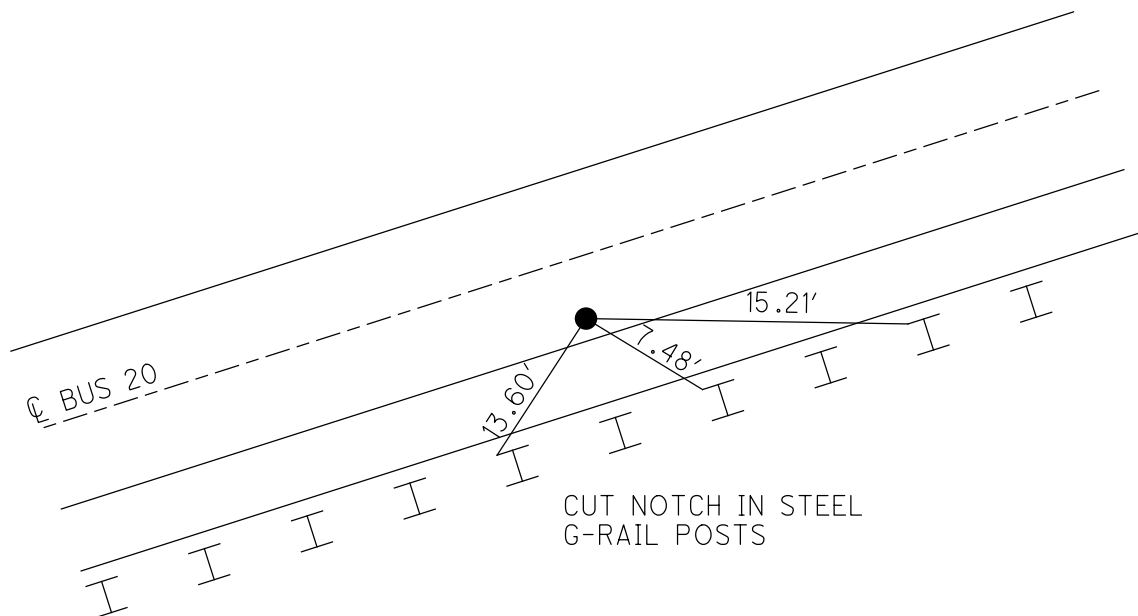
GEOID: NAVD88 2012A

GRID: NORTHING: 608222.952

EASTING: 1813512.814



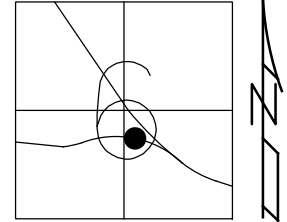
RECORD:
SET MAG NAIL
6/29/06, DCH
FD MAG NAIL
STA17
8/24/18, JFO
SET MAG/WASHER
4/19/21, DSA



O.D.O.T. DISTRICT 2 SURVEY OFFICE (USE ONLY)

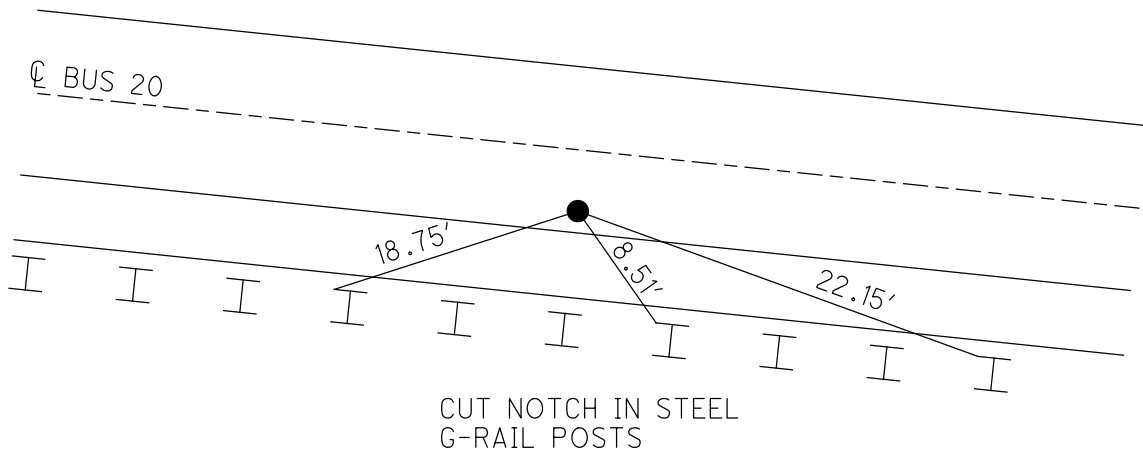
PERSONNEL _____ REFERENCE NO. BUS39 B SHEET 2 OF 4
NOTES RHOADES DATE 5/27/20 ROUTE BUS 20
H.C. LEU WEATHER CLOUDY COUNTY SANDUSKY
R.C. AUBLE TEMP. 72° TOWNSHIP GREEN CREEK
SECTION 6
DWG BY NIESE PID 102898 T 4 N R 16 E

TYPE MONUMENT MAG NAIL
ON SURFACE - ~~BELOW~~ ON
OFFSET ☉ PAVEMENT 11.6' ~~±~~ : RT
1.3' TO RT EDGE PAVEMENT
STATION: 21+18.71



HORIZ.DATUM: NAD83 (2011) GEOID: NAVD88 2012A
GRID: NORTHING: 608217.262 EASTING: 1813912.328

RECORD:
SET MAG NAIL
6/29/06, DCH
FD MAG NAIL
STA21
8/24/18, JFO
SET MAG/WASHER
4/19/21, DSA

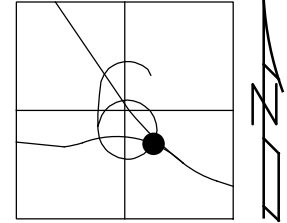


O.D.O.T. DISTRICT 2 SURVEY OFFICE (USE ONLY)

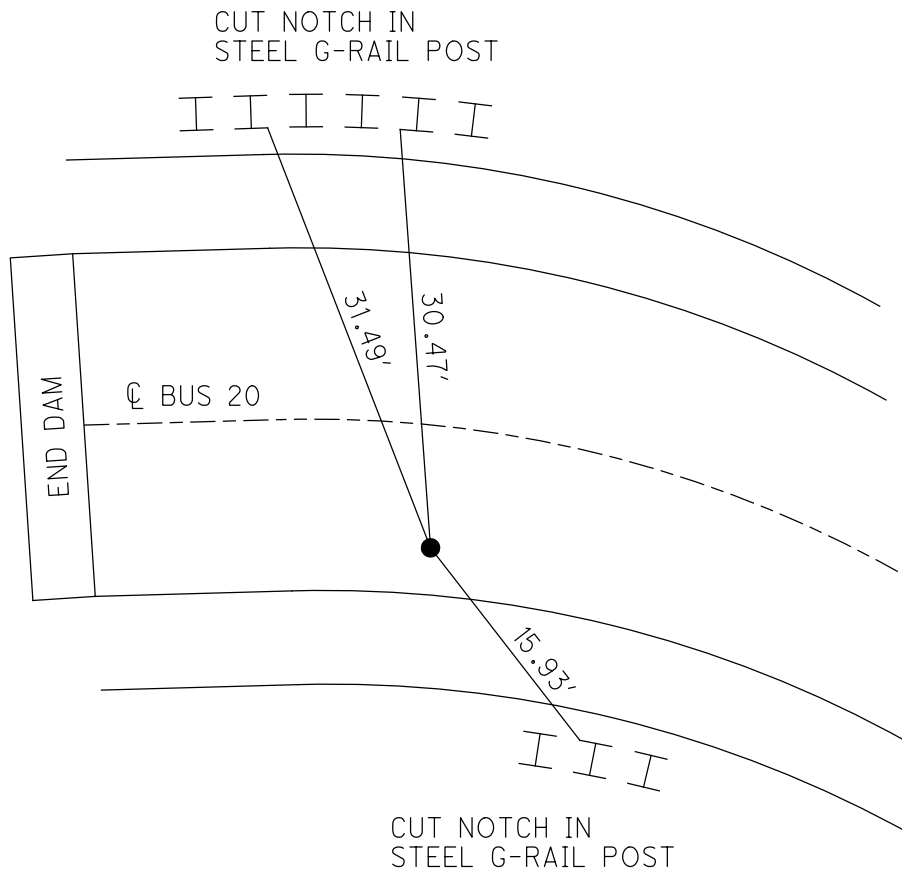
PERSONNEL _____ REFERENCE NO. BUS39 C SHEET 3 OF 4
 NOTES CORDES DATE 6/29/06 ROUTE BUS 20
 H.C. HOMAN WEATHER SUN COUNTY SANDUSKY
 R.C. VIETH TEMP. 75° TOWNSHIP GREEN CREEK
 DWG BY NIESE PID 102898 SECTION 6
 T 4 N R 16 E

TYPE MONUMENT MAG NAIL
 ON SURFACE - ~~BELOW~~ ON
 OFFSET Q PAVEMENT - LT : RT
11.5' TO RT EDGE PAVEMENT
 STATION: 25+18.71

HORZ.DATUM: _____ GEOID: _____
 GRID: NORTHING: _____ EASTING: _____



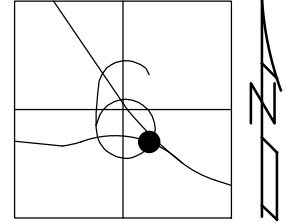
RECORD:
 SET MAG NAIL
 6/29/06, DCH



O.D.O.T. DISTRICT 2 SURVEY OFFICE (USE ONLY)

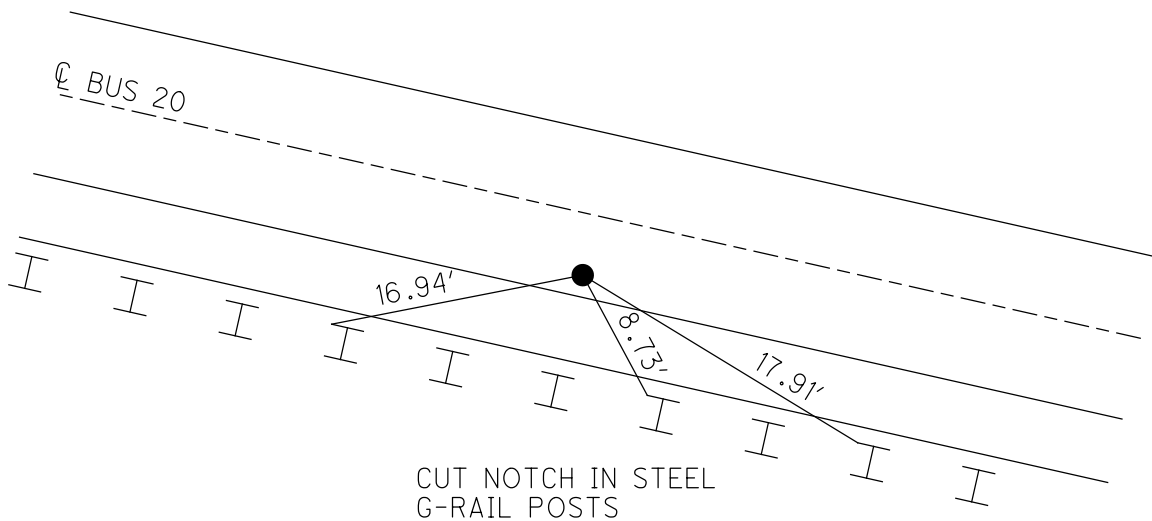
PERSONNEL _____ REFERENCE NO. BUS39 D SHEET 4 OF 4
NOTES LEU DATE 5/21/20 ROUTE BUS 20
H.C. LEU WEATHER CLOUDY COUNTY SANDUSKY
R.C. AUBLE TEMP. 61° TOWNSHIP GREEN CREEK
SECTION 6
DWG BY NIESE PID 102898 T 4 N R 16 E

TYPE MONUMENT MAG NAIL
ON SURFACE - ~~BELOW~~ ON
OFFSET Q PAVEMENT 10.8' ~~RT~~ : RT
1.8' TO RT EDGE PAVEMENT
STATION: 29+18.71



HORIZ. DATUM: NAD83 (2011) GEOID: NAVD88 2012A
GRID: NORTHING: 607873.233 EASTING: 1814622.256

RECORD:
SET MAG NAIL
6/29/06, DCH
FD MAG NAIL
STA29
8/24/18, JFO
SET MAG/WASHER
4/19/21, DSA



O.D.O.T. DISTRICT 2 SURVEY OFFICE (USE ONLY)

PERSONNEL

REFERENCE NO. BUS31

SHEET 1 OF 3

NOTES MILLER

DATE 1-4-23

ROUTE BUS-20

H.C. NIESE

WEATHER CLOUDY

COUNTY SANDUSKY

R.C. AUBLE

TEMP. 40°

TOWNSHIP SANDUSKY

SECTION 29

DWG BY RHOADES

PID 111020

T 5 N R 15 E

TYPE MONUMENT MAG/WASHER

ON SURFACE - ~~BELOW~~ ON

OFFSET ☉ PAVEMENT - LT : RT

 TO EDGE PAVEMENT

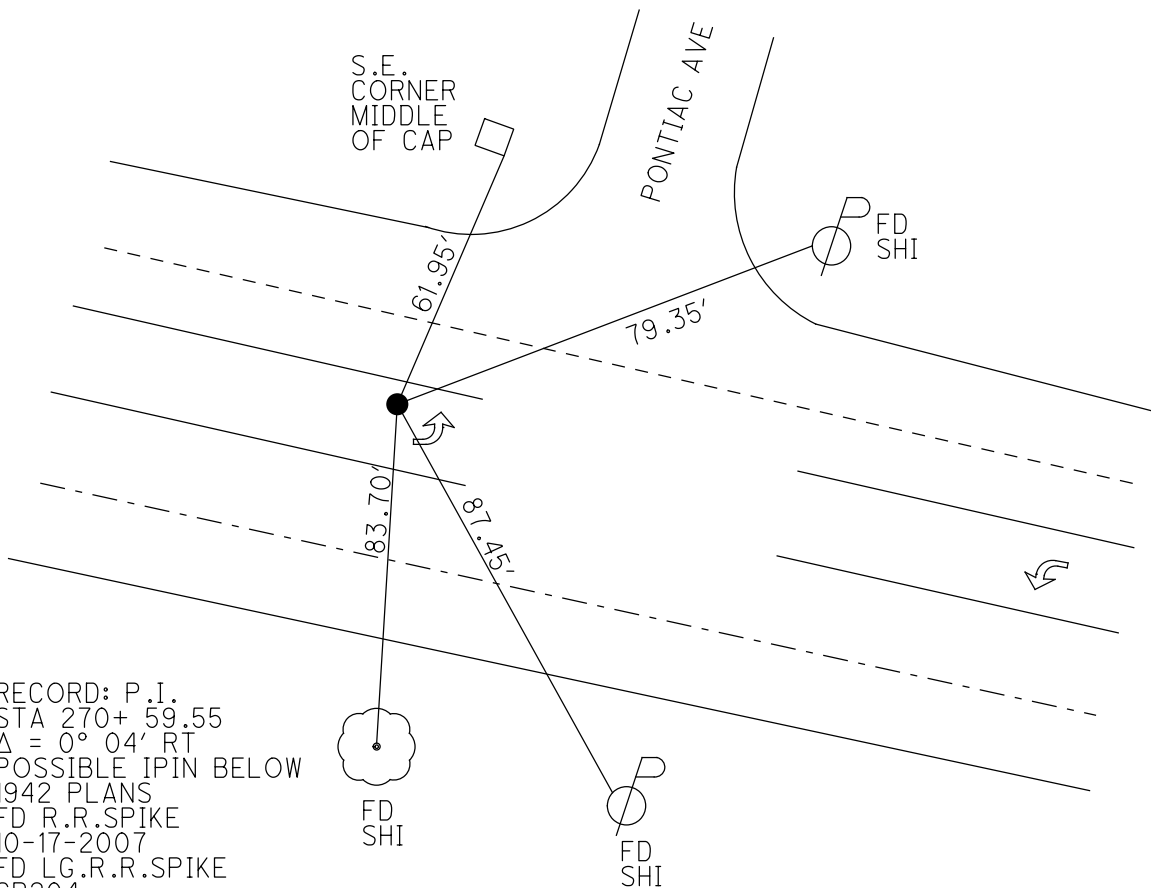
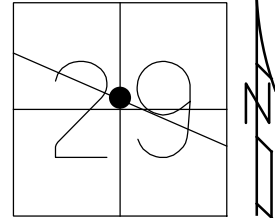
STATION: 270+59.55

HORZ. DATUM: NAD83(2011)

GEOID: NAVD88 2018

GRID: NORTHING: 619446.406

EASTING: 1788609.942



RECORD: P.I.
 STA 270+ 59.55
 $\Delta = 0^\circ 04' RT$
 POSSIBLE IPIN BELOW
 1942 PLANS
 FD R.R.SPIKE
 10-17-2007
 FD LG.R.R.SPIKE
 CP204
 6-03-22, TDN
 SET MAG/WASHER
 1-4-23, TDN

O.D.O.T. DISTRICT 2 SURVEY OFFICE (USE ONLY)

PERSONNEL _____

REFERENCE NO. BUS32

SHEET 2 OF 3

NOTES NIESE

DATE 5-1-23

ROUTE BUS 20

H.C. NIESE

WEATHER RAINY/CLOUDY

COUNTY SANDUSKY

R.C. AUBLE

TEMP. 42°

TOWNSHIP SANDUSKY

SECTION 29

DWG BY RHOADES

PID 111020

T 5 N R 15 E

TYPE MONUMENT CALC POINT

ON SURFACE - BELOW _____

OFFSET \odot PAVEMENT _____ LT : RT

_____ TO _____ EDGE PAVEMENT

STATION: 287+75.30

HORZ.DATUM: NAD83(2011)

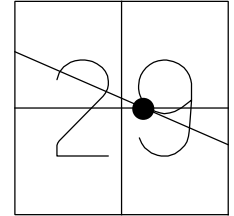
GEOID: NAVD88 2018

CALC1: 618549.152

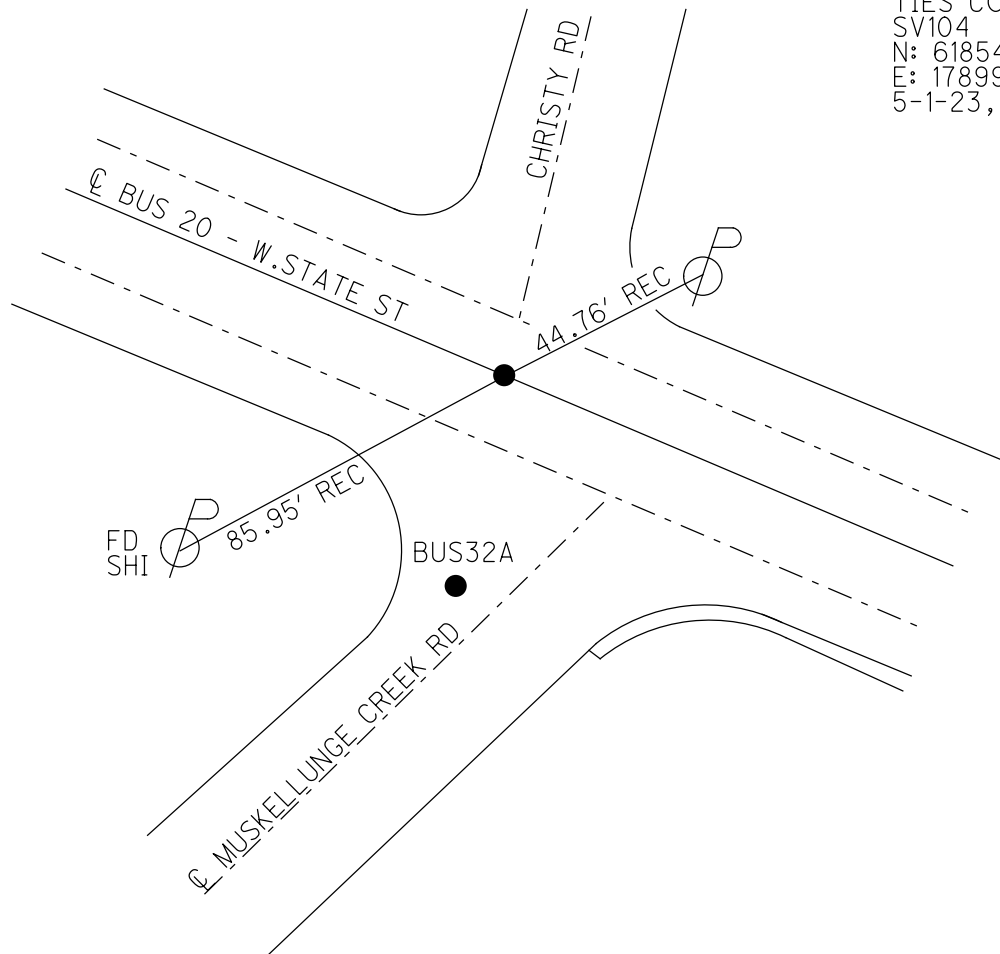
CALC1: 1789970.083

GRID: NORTHING: CALC2: 618547.938

EASTING: CALC2: 1789969.385



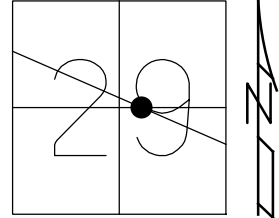
RECORD: P.I.
 STA 287+75.3
 $\Delta = 0^\circ 17' LT$
 TIES COORD:
 SV104
 N: 618548.265
 E: 1789968.940
 5-1-23, TDN



O.D.O.T. DISTRICT 2 SURVEY OFFICE (USE ONLY)

PERSONNEL _____ REFERENCE NO. BUS32 A SHEET 3 OF 3
 NOTES NIESE DATE 5-1-23 ROUTE BUS 20
 H.C. NIESE WEATHER RAINY/CLOUDY COUNTY SANDUSKY
 R.C. AUBLE TEMP. 42° TOWNSHIP SANDUSKY
 DWG BY RHOADES PID 111020 SECTION 29
 T 5 N R 15 E

TYPE MONUMENT IPIPE
~~ON SURFACE~~ - BELOW 4"
 OFFSET CL PAVEMENT - _____ LT : RT
 _____ TO _____ EDGE PAVEMENT
 STATION: 287+75.3



HORZ. DATUM: NAD83(2011) GEOID: NAVD88 2018
 GRID: NORTHING: 618503.672 EASTING: 1789925.975

RECORD:
 FD 1" IPIPE
 4" DOWN
 POINT IS ON OLD 60'
 RW LINE
 BELIEVED TO BE CL OF
 MUSKELLUNGE CREEK RD
 SV103
 5-1-23, TDN

