

O.D.O.T. DISTRICT 2 SURVEY OFFICE (USE ONLY)

PERSONNEL

REFERENCE NO. BUS39 B

SHEET 2 OF 4

NOTES RHOADES

DATE 5/27/20

ROUTE BUS 20

H.C. LEU

WEATHER CLOUDY

COUNTY SANDUSKY

R.C. AUBLE

TEMP. 72°

TOWNSHIP GREEN CREEK

DWG BY NIESE PID 102898

SECTION 6

T 4 N R 16 E

TYPE MONUMENT MAG NAIL

ON SURFACE - ~~BELOW~~ ON

OFFSET 11.6' RT : RT

1.3' TO RT EDGE PAVEMENT

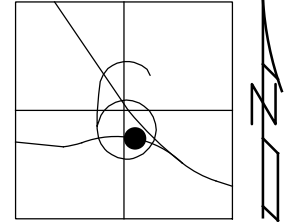
STATION: 21+18.71

HORIZ.DATUM: NAD83 (2011)

GEOID: NAVD88 2012A

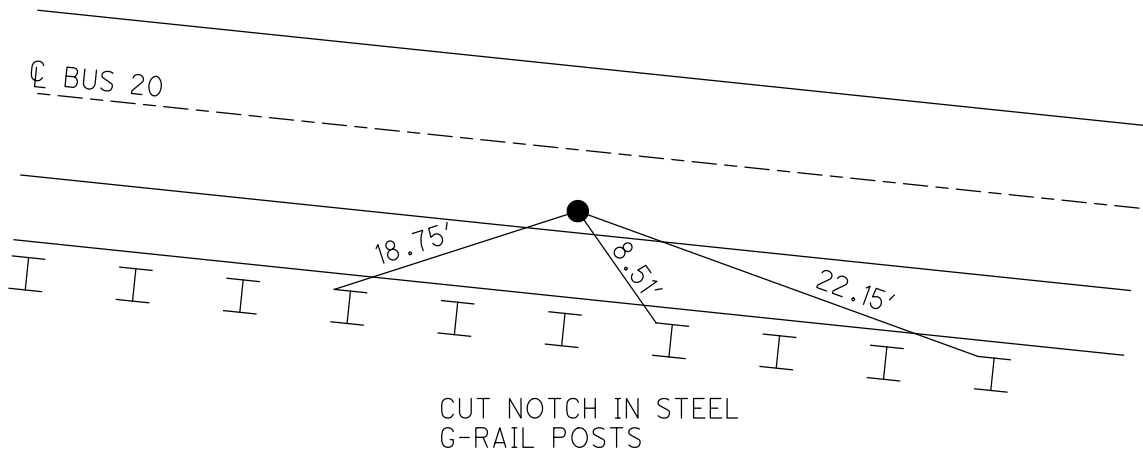
GRID: NORTHING: 608217.262

EASTING: 1813912.328



RECORD:

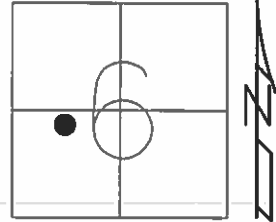
SET MAG NAIL
6/29/06, DCH
FD MAG NAIL
STA21
8/24/18, JFO
SET MAG/WASHER
4/19/21, DSA



O.D.O.T. DISTRICT 2 SURVEY OFFICE (USE ONLY)

PERSONNEL _____ REFERENCE NO. _____ SHEET 2 OF 4
 NOTES CORDES DATE 6/29/06 ROUTE BUS 20
 H.C. HOMAN WEATHER SUN COUNTY SANDUSKY
 R.C. VIETH TEMP. 75° TOWNSHIP GREEN CREEK
 SECTION 6
 T 4 N R 16 E

TYPE MONUMENT MAG NAIL SET
 ON SURFACE - ~~BELOW~~ ON _____
 LEFT - ☉ PAV'T - RIGHT _____
 _____ TO _____ EDGE PAVEMENT
 S.L.M. _____ 21+18.71



GRID: NORTHING: _____ EASTING: _____

