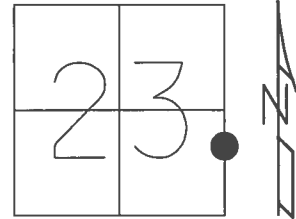


O.D.O.T. DISTRICT 2 SURVEY OFFICE (USE ONLY)

PERSONNEL _____ REFERENCE NO. 5 B SHEET 8 OF 22

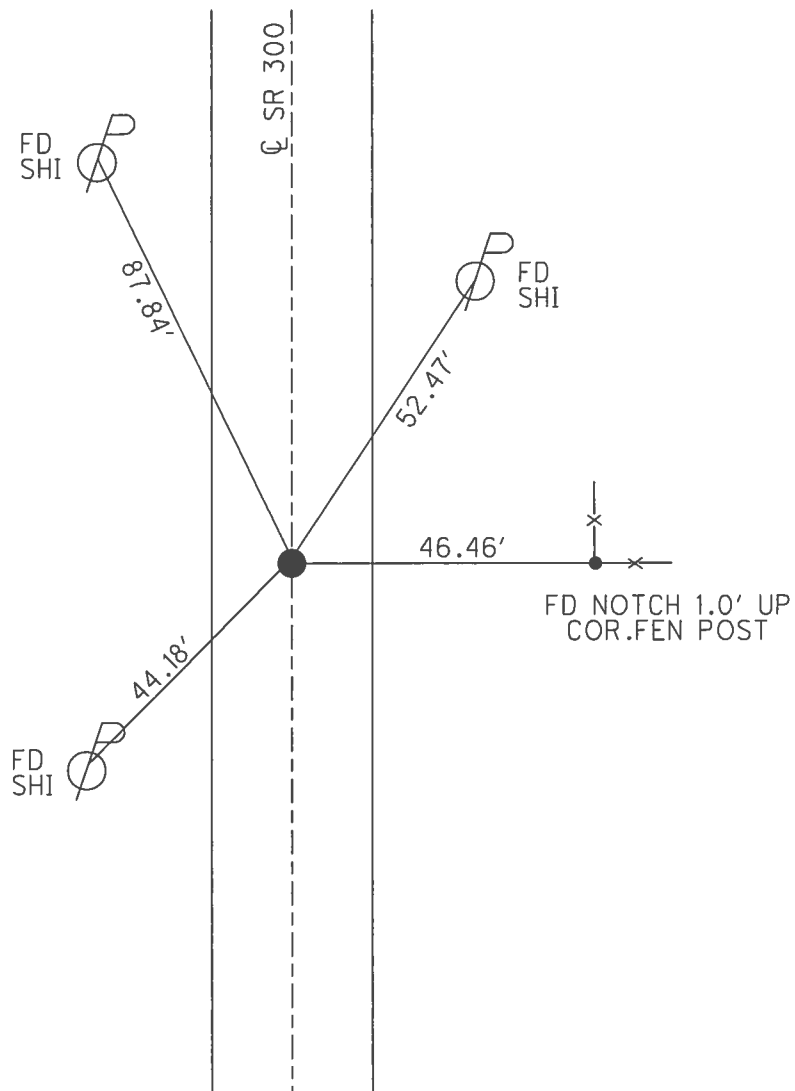
NOTES RHOADES _____ DATE 7/20/17 ROUTE SR 300
 H.C. O'DONNELL _____ WEATHER SUNNY COUNTY SANDUSKY
 R.C. POORE _____ TEMP. 78° TOWNSHIP MADISON
 _____ SECTION 23
 _____ T 5 N R 13 E

TYPE MONUMENT MAG/WASHER
 ON SURFACE - ~~BELOW~~ ON _____
 LEFT - ☉ PAV'T - ~~RIGHT~~ 0.6'
10.3 TO RT EDGE PAVEMENT
 S.L.M. 124+84.10



GRID: NORTHING: 623520.572 EASTING: 1743331.545

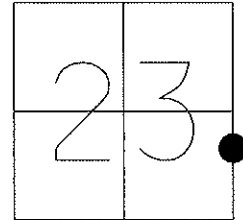
RECORD:
 SET P.K.NAIL
 9/16/94, M.C.
 FD P.K.NAIL
 5/10/00, 2/2/09
 FD P.K.NAIL
 5/19/10 KPM
 SET MAG/WASHER
 10/07/10 KPM
 FD MAG/WASHER
 REFB5
 7/20/17, JFO
 UNCOVERED
 11/15/17, JFO



O.D.O.T. DISTRICT 2 SURVEY OFFICE (USE ONLY)

PERSONNEL _____ REFERENCE NO. 5-B SHEET 8 OF 22
 NOTES MOSER DATE 5/19/10 ROUTE SR 300
 H.C. GOLDBERG WEATHER SUNNY COUNTY SANDUSKY
 R.C. HARBAUGH TEMP. 75° TOWNSHIP MADISON
 _____ SECTION 23
 _____ T 5 N R 13 E

TYPE MONUMENT P.K.NAIL
 ON SURFACE - ~~BELOW~~ ON
 LEFT - Q PAV'T - RIGHT ON
10.3 TO RT EDGE PAVEMENT
 S.L.M. 124+62



Grid: Northing: 623520.677 Easting: 1743331.434

RESET P.K.NAIL
 9/16/94 M.C.

FD P.K.NAIL
 2/2/09, 5/10/00, RESUF.

GPS, TIED
 5/19/10 KPM

SET MAG/WASHER
 10/07/10 KPM

NOTE: PT IS AT GIBSONBURG
 SOUTH CORP SIGN

