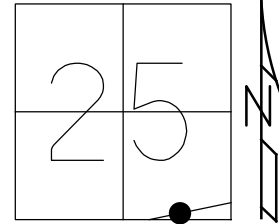


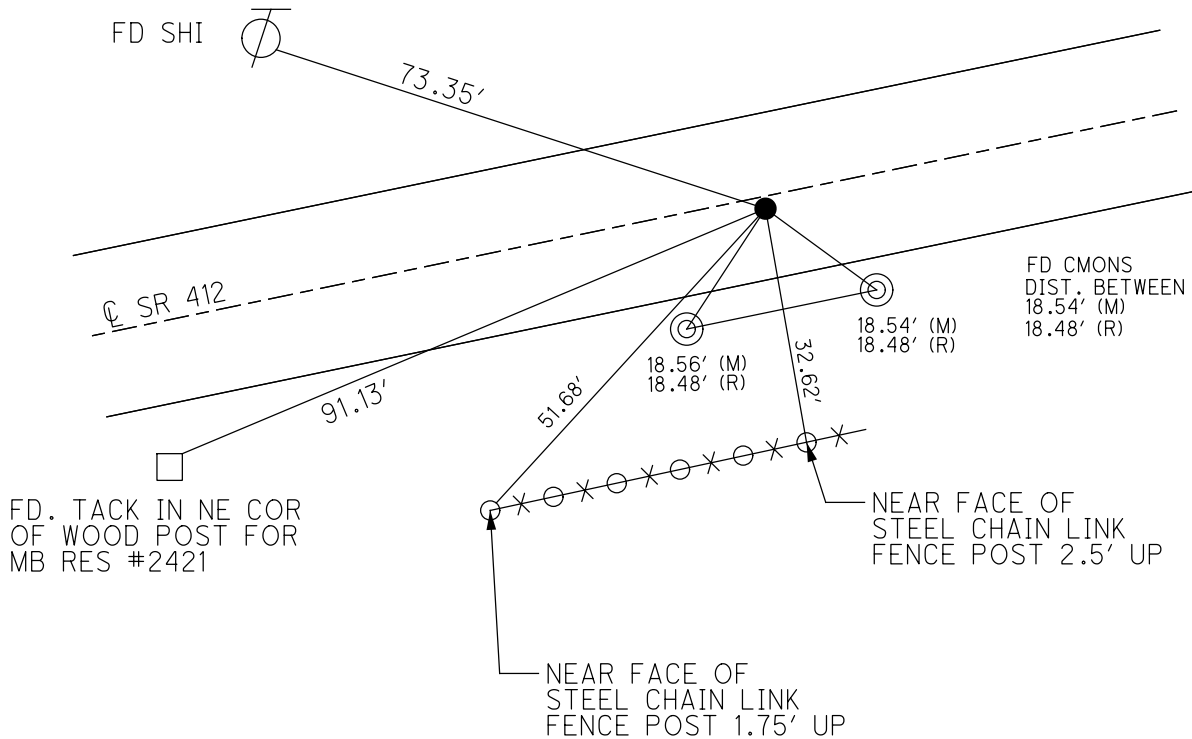
O.D.O.T. DISTRICT 2 SURVEY OFFICE (USE ONLY)

PERSONNEL \_\_\_\_\_ REFERENCE NO. 0 B SHEET 3 OF 33  
 NOTES HOMAN DATE 09-29-14 ROUTE 412  
 H.C. LEU WEATHER SUNNY COUNTY SANDUSKY  
 R.C. LEU TEMP. 65° F TOWNSHIP SANDUSKY  
 \_\_\_\_\_ SECTION 25  
 \_\_\_\_\_ T 5 N R 15 E

TYPE MONUMENT \_\_\_\_\_ MAG/WASHER \_\_\_\_\_  
 ON SURFACE - ~~BELOW~~ \_\_\_\_\_ ON \_\_\_\_\_  
~~LEFT~~ - CL PAV'T - RIGHT 0.8'  
 \_\_\_\_\_ TO \_\_\_\_\_ EDGE PAVEMENT  
 S.L.M. 18+00  
 Grid: Northing: 616253.483 Easting: 181108.824



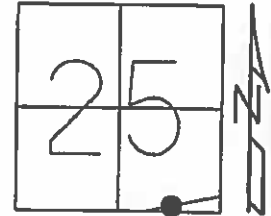
RECORD:  
 SET MAG/WASHER  
 9/29/14, DCH  
  
 SET MAG/WASHER  
 GPS, NEWREF1  
 6/29/15, DCH



O.D.O.T. DISTRICT 2 SURVEY OFFICE (USE ONLY)

PERSONNEL _____	REFERENCE NO. <u>0 B</u>	SHEET <u>3</u> OF <u>33</u>
NOTES <u>HOMAN</u>	DATE <u>09-29-14</u>	ROUTE <u>412</u>
H.C. <u>LEU</u>	WEATHER <u>SUNNY</u>	COUNTY <u>SANDUSKY</u>
R.C. <u>LEU</u>	TEMP. <u>65° F</u>	TOWNSHIP <u>SANDUSKY</u>
_____	_____	SECTION <u>25</u>
_____	_____	T <u>5</u> N R <u>15</u> E

TYPE MONUMENT \_\_\_\_\_ MAG/WASHER \_\_\_\_\_  
 ON SURFACE - ~~BELOW~~ \_\_\_\_\_ ON \_\_\_\_\_  
~~LEFT~~ - C PAV'T - RIGHT \_\_\_\_\_ 0.8' \_\_\_\_\_  
 \_\_\_\_\_ TO \_\_\_\_\_ EDGE PAVEMENT \_\_\_\_\_  
 S.L.M. 18+00



Grid: Northing: \_\_\_\_\_ Easting: \_\_\_\_\_

RECORD:  
 SET MAG/WASHER  
 9/29/14, DCH

SET MAG/WASHER  
 GPS, NEWREF1  
 6/29/15, DCH

