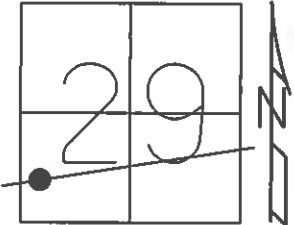


O.D.O.T. DISTRICT 2 SURVEY OFFICE (USE ONLY)

PERSONNEL _____ REFERENCE NO. 3 A SHEET 15 OF 33
 NOTES LEU DATE 09-23-2014 ROUTE SR 412
 H.C. HOMAN WEATHER SUNNY COUNTY SANDUSKY
 R.C. LEU TEMP. 63 TOWNSHIP RILEY
 SECTION 29
 T 5 N R 16 E

TYPE MONUMENT P.K./WASHER
 ON SURFACE - ~~BELOW~~ ON
~~LEFT - C~~ PAV'T - ~~RIGHT~~ ON
9.5' TO RT. EDGE PAVEMENT
 S.L.M. 89+85.87



Grid: Northing: 617393.474 Easting: 1817655.998

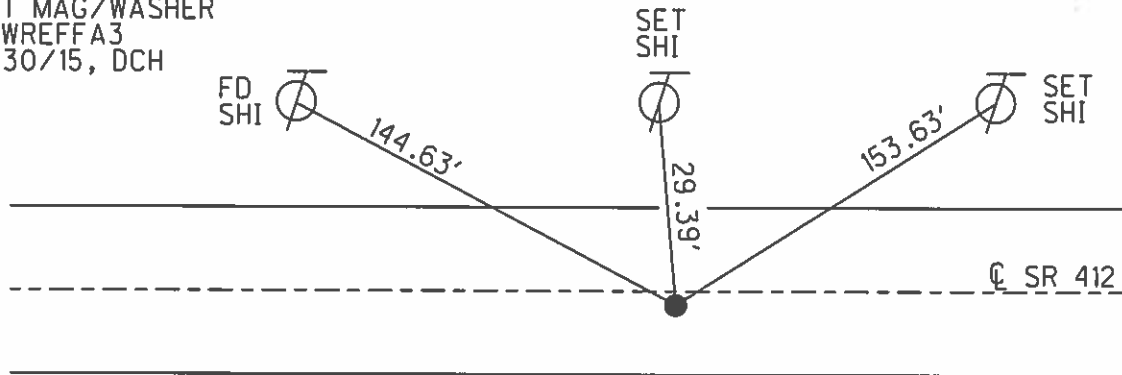
RECORD: 9/27/1984
 STA. 761+15.30
 1933 PLANS
 2" IPIPE, 2" BELOW SURFACE
 ATOP IPIN

SET P.K./WASHER
 8/2/93, JLR

FD P.K./WASHER
 7/24/00

FD P.K./WASHER
 GPS, REF11
 12/6/12, SDC

SET MAG/WASHER
 NEWREFFA3
 6/30/15, DCH



O.D.O.T. DISTRICT 2 SURVEY OFFICE

PERSONNEL

REFERENCE NO. 3-A

SHEET 10 OF 21

NOTES CHENEY

H.C. RIPPLE

R.C. BARBOUR

GEYMAN

DATE 4-28-93

WEATHER SUNNY

TEMP. 55°

ROUTE SR#412

COUNTY SANDUSKY

TOWNSHIP RILEY

SECTION 29

T. 5 N R. 16 E

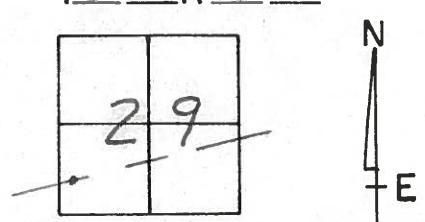
TYPE MONUMENT Fd. 2" Dia. Pipe 3" DEEP

~~ON SURFACE~~ - BELOW 3"

~~LEFT - C. PAV'T.~~ - RIGHT 0.5'

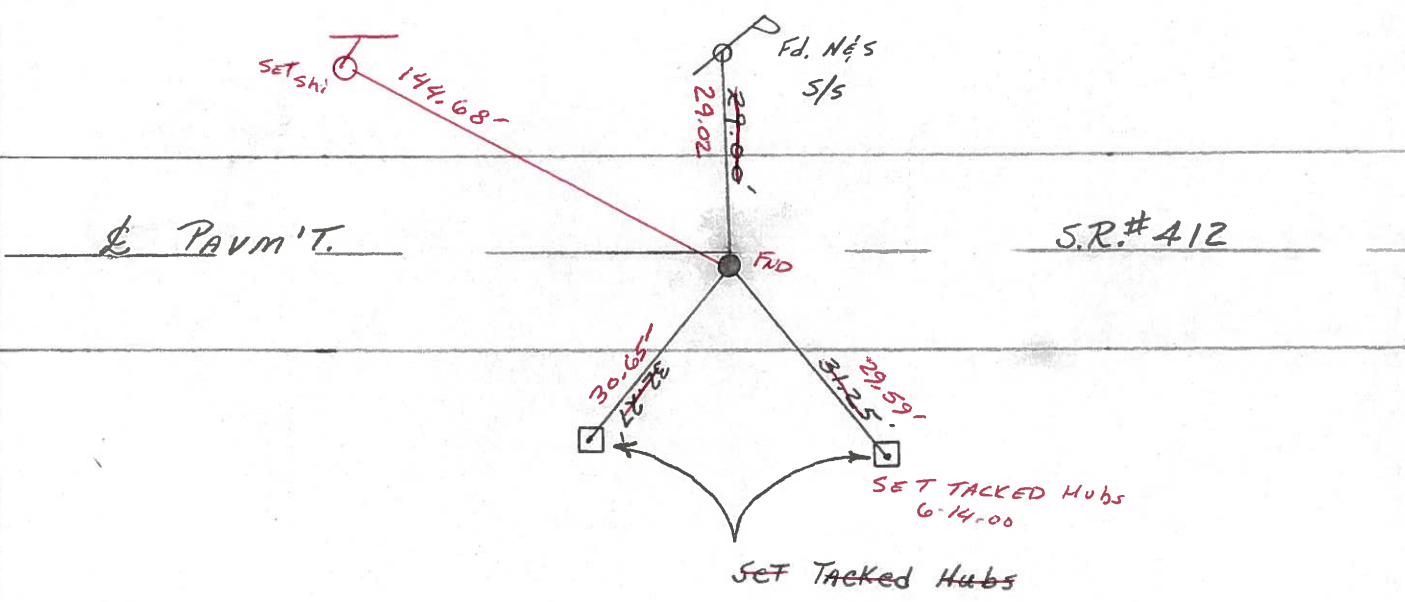
9.5 TO RT. EDGE PAVEMENT

S.L.M. 88+91



Record: 9-27-84
761+15.30 (1933 PLANS)
2" IRON PIPE 2" below SURFACE
ATop IRON PIN.

NOTE: Set P.K. Washer
8-02-93 JLR.



Preventive Maintenance
 Microsurfaced 2000
 Existing Point Uncovered
 Date 7-24-2000

Q.D.O.T. DISTRICT 2 SURVEY OFFICE

SHEET 7 OF

County Sandusky S.R. # 412

Township Riley

Section 29

T 5 N, R 16 E

Personnel Cronin

Ripple

Geyman

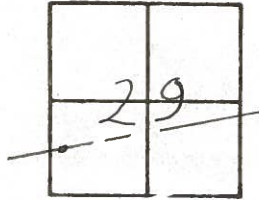
Barbour

Date 9/27/84

Weather overcast - windy - rain

Temp. 54°

3A



761+15.30 (1983 Plans

2" Iron pipe 2" below surface

atop iron pin

2900

S.R. #412

PERSONNEL	TITLE	PERSONNEL	TITLE	COUNTY	DATE
<u>Cronin</u>		<u>Schneider</u>		<u>Sandusky</u>	<u>8/23/74</u>
<u>Ash</u>		<u>Messer</u>		S. R. <u>#412</u>	WEATHER <u>sunny</u>
<u>Ripple</u>		<u>Barbour</u>		SEC.	TEMP. <u>83°</u>
<u>Geymen</u>					

DESCRIPTION Ties for Control Points LEFT CENTER LINE RIGHT JOB NO.

