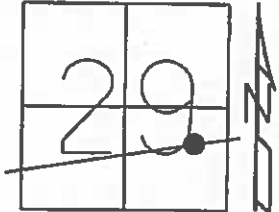


O.D.O.T. DISTRICT 2 SURVEY OFFICE (USE ONLY)

PERSONNEL _____ REFERENCE NO. 4 B SHEET 18 OF 33
 NOTES LEU DATE 09-23-2014 ROUTE SR 412
 H.C. HOMAN WEATHER SUNNY COUNTY SANDUSKY
 R.C. LEU TEMP. 65° TOWNSHIP RILEY
 _____ SECTION 29
 _____ T 5 N R 16 E

TYPE MONUMENT P.K./WASHER
 ON SURFACE - ~~BELOW~~ ON
~~LEFT~~ - Q PAV'T - ~~RIGHT~~ ON
10' TO RT EDGE PAVEMENT
 S.L.M. 136+62.92
 Grid: Northing: 618585.384 Easting: 1822178.476

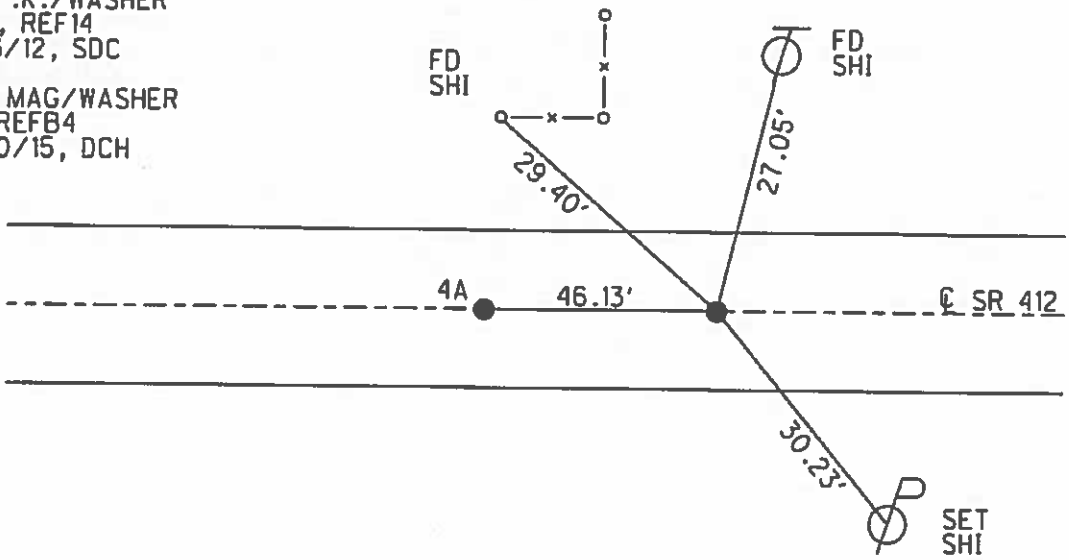


RECORD:
 SET P.K./WASHER
 8/2/93, JLR

 SET P.K./WASHER
 7/24/00

 FD P.K./WASHER
 GPS, REF14
 12/6/12, SDC

 SET MAG/WASHER
 NEWREFB4
 6/30/15, DCH



O.D.O.T. DISTRICT 2 SURVEY OFFICE

PERSONNEL

REFERENCE NO. 4-A

SHEET 12 OF 21

NOTES CHENEY

H.C. RIPPLE

R.C. BARBOUR

GEYMAN

DATE 4-28-93

WEATHER SUNNY

TEMP. 55°

ROUTE SR#412

COUNTY SANDUSKY

TOWNSHIP RILEY

SECTION 29

T.5 N R.16 E

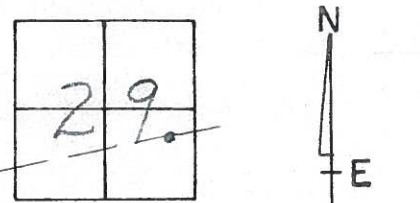
TYPE MONUMENT Fd. P.K. & WASHER

ON SURFACE - BELOW ON

~~LEFT~~ - Q PAV'T. - RIGHT ON

10' TO RT. EDGE PAVEMENT

S.L.M. 135+24

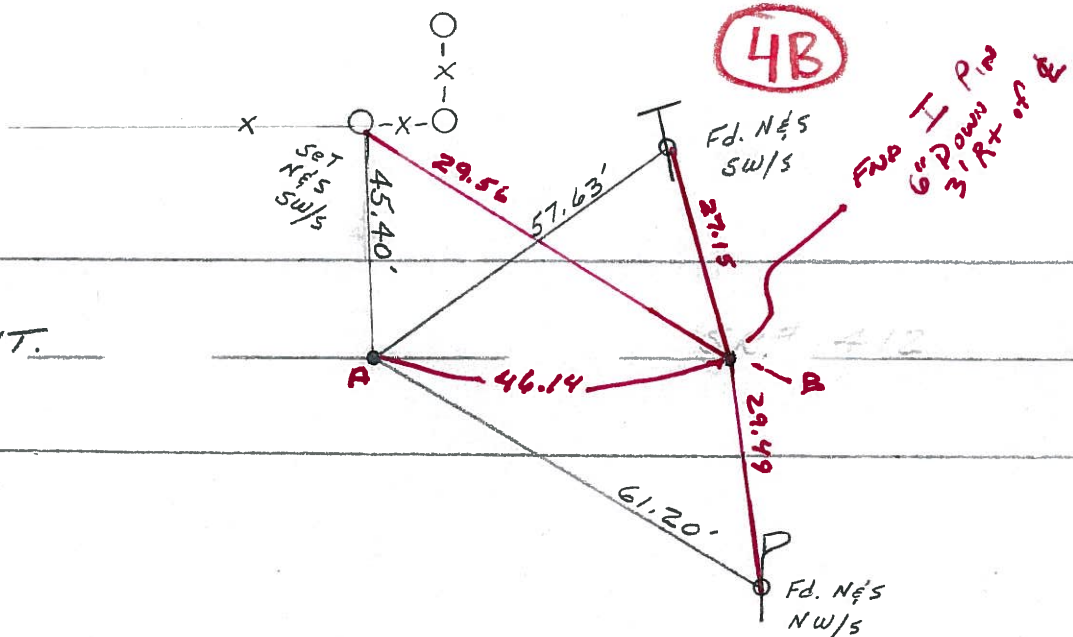


Record: 9-27-84
100+36.70 (S.H. 281 Sec. T1 Br)
(1932) SET P.K. & WASHER
A Top IRON PIN A Top IRON PIN

NOTE: 8-02-93
SET P.K. & WASHER J.L.R.

RESET PT 'B'
PK & WASHER
7-24

Q PAVM'T.



Preventive Maintenance
 Microsurfaced 2000
 Existing Point Uncovered
 Date 7-24-00