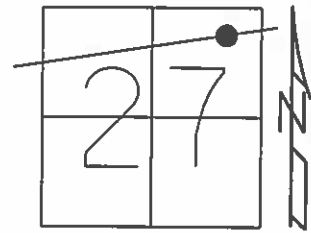


O.D.O.T. DISTRICT 2 SURVEY OFFICE (USE ONLY)

PERSONNEL \_\_\_\_\_ REFERENCE NO. 8 B SHEET 29 OF 33  
 NOTES HOMAN DATE 10-09-2014 ROUTE SR 412  
 H.C. LEU WEATHER SUNNY COUNTY SANDUSKY  
 R.C. WESTFALL TEMP. 55° TOWNSHIP RILEY  
RHOADES SECTION 27  
 T 5 N R 16 E

TYPE MONUMENT P.K./WASHER  
 ON SURFACE - ~~BELOW~~ ON \_\_\_\_\_  
 LEFT - ☉ PAV'T - ~~RIGHT~~ 1'  
10' TO RT EDGE PAVEMENT  
 S.L.M. 235+80.21

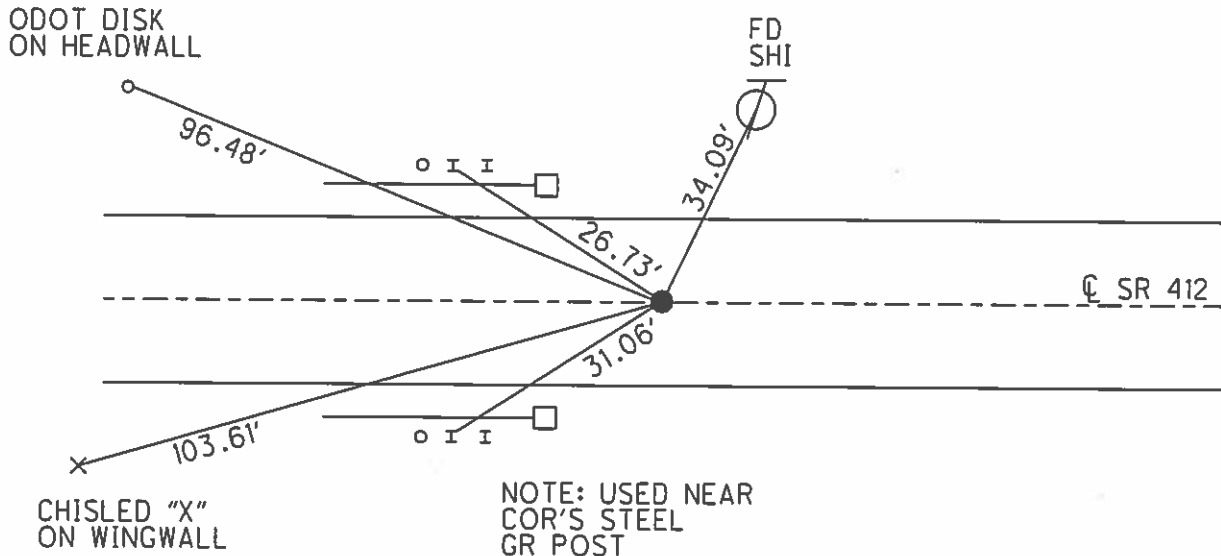


Grid: Northing: 619845.711 Easting: 1832010.138

RECORD: 02-04-1995  
 4+42 FD IPIPE 5" BELOW SURFACE.  
 SET GALVANIZED BOLT  
 ATOP & TO THE SURFACE. POINT  
 IS 100'± EAST OF RACON CREEK  
 BRIDGE. THIS IS 4+42 AS SHOWN  
 ON SH 281 SEC T BRIDGE 1929 PLANS

FD P.K.NAIL  
 REF23  
 12/11/12, JMR

SET MAG/WASHER  
 NEWREFB8  
 7/1/15, DCH



O.D.O.T. DISTRICT 2 SURVEY OFFICE

PERSONNEL

REFERENCE NO. B-B

SHEET 20 OF 21

NOTES VAN DUSEN

H.C. Rausas

R.C. Brown

DATE 6-14-2000

WEATHER Sunny

TEMP. 80°F

ROUTE SR #412

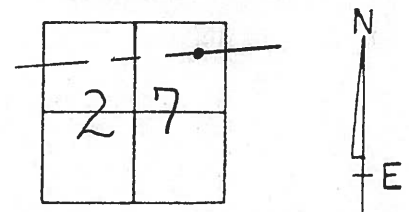
COUNTY SANDUSKY

TOWNSHIP Riley

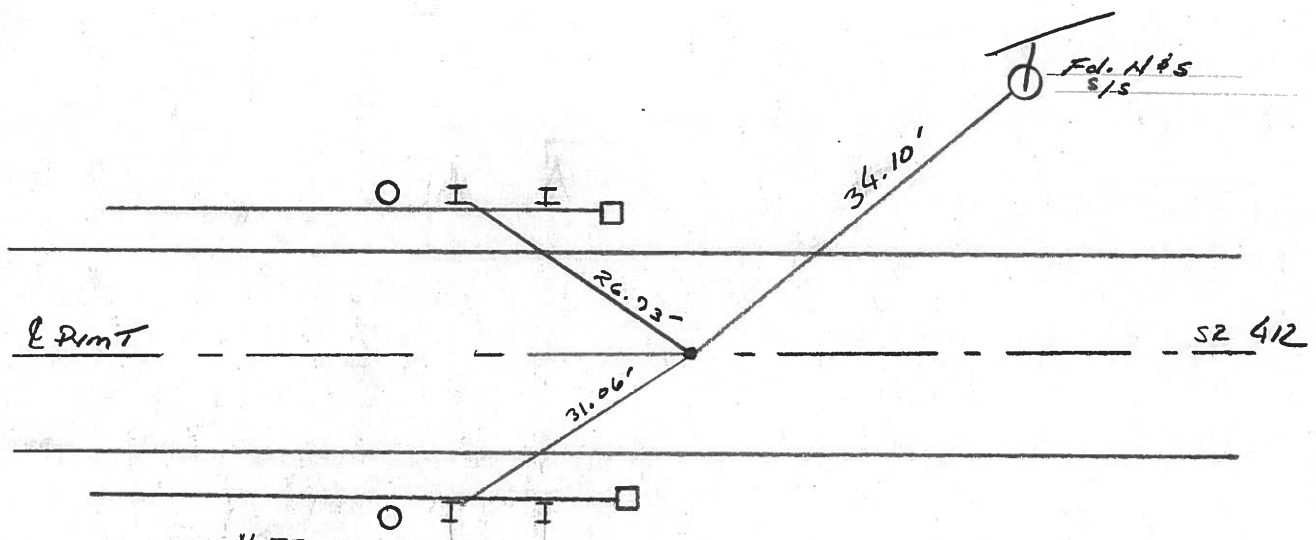
SECTION 27

T5 N R 16 E

TYPE MONUMENT PK WASHER  
 ON SURFACE - BELOW SURFACE  
 LEFT = ℄ PAV'T. - RIGHT ON  
10' TO RT EDGE PAVEMENT  
S.L.M. 234+84



RECORD: 2-04-1995  
4+42 Fd. IRON PIPE 5" BELOW  
SURFACE, SET GALVANIZED BOLT  
ATOP & to the SURFACE  
POINT IS 100' EAST of Raccoon  
CREEK BRIDGE  
THIS IS 4+42 AS SHOWN ON SH 281  
SEC. 7 BRIDGE 1929 PLANS



NOTE:  
 USED NEAR CAR'S STEEL  
 GR Post

O.D.O.T. DISTRICT 2 SURVEY OFFICE

PERSONNEL

REFERENCE NO. B-3

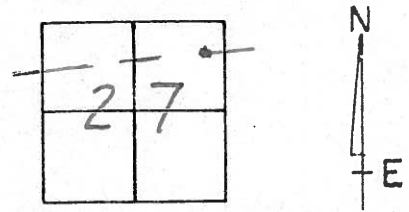
SHEET 20 OF 21

NOTES CHENEY  
 H.C. RIPPLE  
 R.C. BARBOUR  
GEYMAN

DATE 4-28-1993  
 WEATHER SUNNY  
 TEMP. 65°

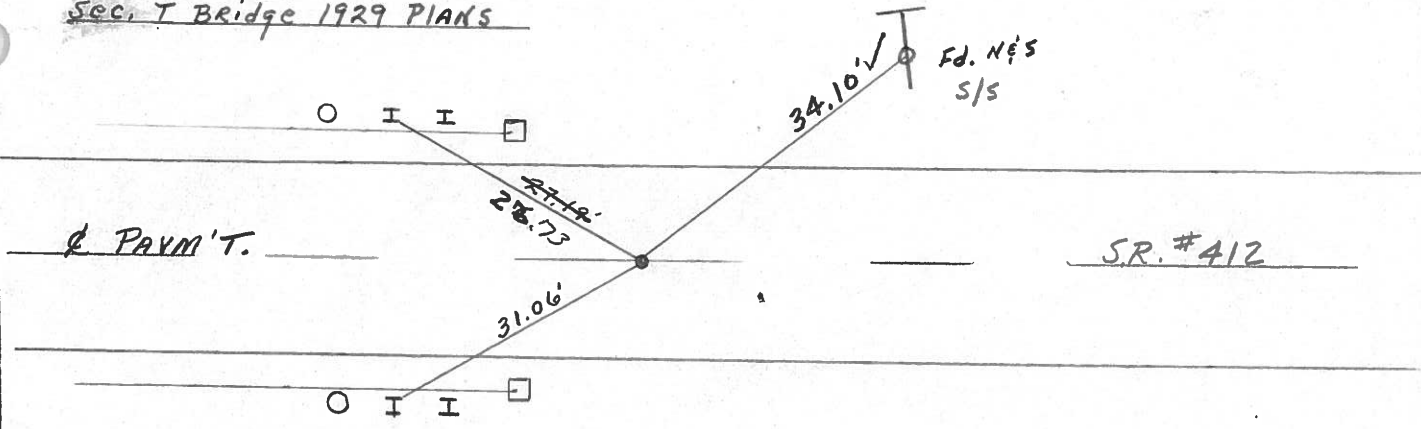
ROUTE SR#412  
 COUNTY SANDUSKY  
 TOWNSHIP RILEY  
 SECTION 27  
T5 N R 16 E

TYPE MONUMENT Fd. 1" sq. galvanized bolt  
ON SURFACE - BELOW 3"  
LEFT-C. PAV'T. - RIGHT ON  
10' TO RT. EDGE PAVEMENT  
 S.L.M. 234+84



RECORD: 2-04-1975  
4+42 Fd. IRON PIPE 5" below  
SURFACE, SET GALVANIZED bolt  
ATop of The SURFACE  
POINT is 100±' EAST of RACCOON  
CREEK Bridge  
This is 4+42 AS SHOWN ON SH. 281  
SEC. T BRIDGE 1929 PLANS

NOTE: SET PK. & WASHER  
8-02-1993 JLR.



NOTE:  
USED NEAR COR'S STEEL  
G.R. POSTS



PERSONNEL	TITLE	PERSONNEL	TITLE
Schneider		Potts	
Mosser			
Barbour			
Redding			

COUNTY Sandusky DATE Jan. 1968

S. R. 412

WEATHER

SEC. N. E. of Fr

TEMP.

DESCRIPTION Ties for Control Points

JOB NO.

LEFT

CENTER LINE

RIGHT

