

O.D.O.T. DISTRICT 2 SURVEY OFFICE (USE ONLY)

PERSONNEL

REFERENCE NO. 13

SHEET 5 OF 32

NOTES AUBLE

DATE 5/1/18

ROUTE SR 412

H.C. LEU

WEATHER SUNNY, BREEZY

COUNTY SANDUSKY

R.C. AUBLE

TEMP. 71°

TOWNSHIP RILEY

SECTION 25

DWG BY NIESE

PID 95765

T 5 N R 16 E

TYPE MONUMENT P.K./WASHER

ON SURFACE - ~~BELOW~~ ON

OFFSET 0.6' ± : RT

8.5' TO RT EDGE PAVEMENT

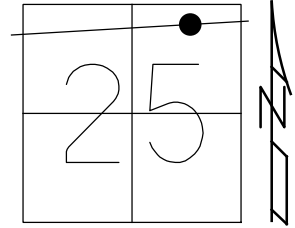
STATION: 340+07.52

HORZ.DATUM: NAD83(2011)

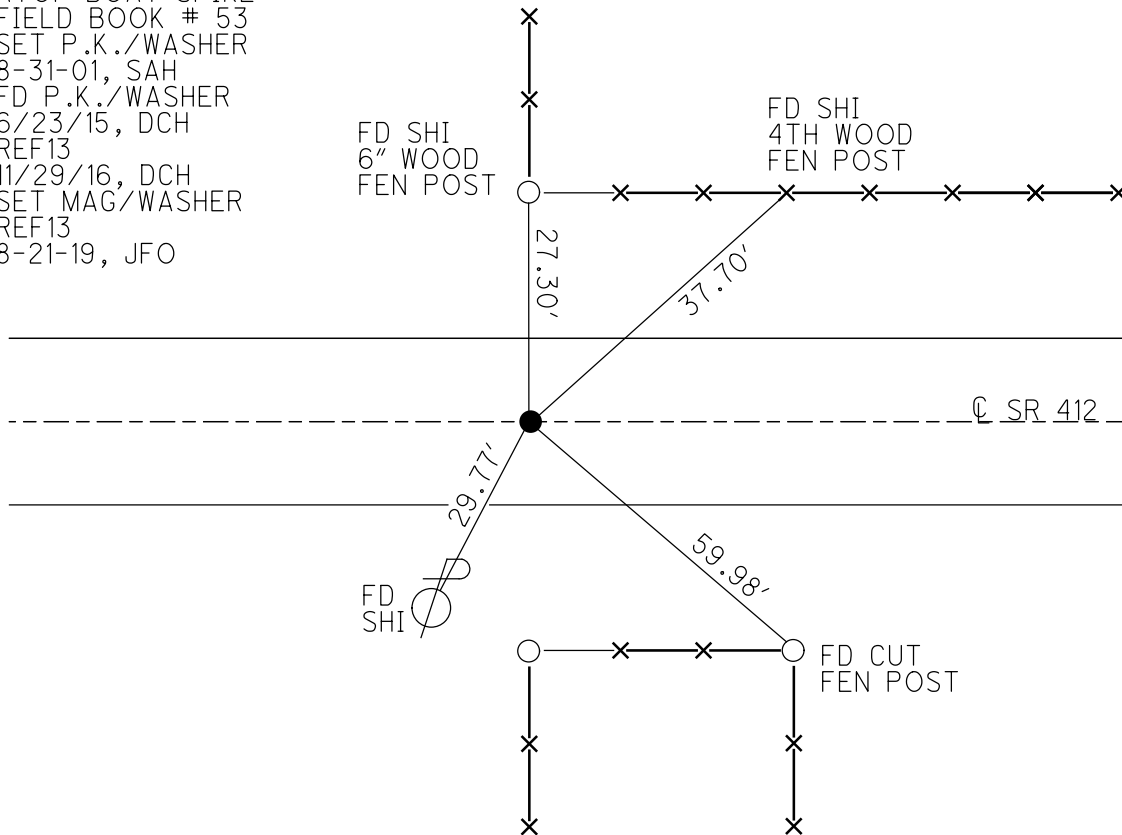
GEOID: 2012A

GRID: NORTHING: 621077.116

EASTING: 1842466.961



REC: P.I.
 STA. 40+07.6±
 FD P.K./WASHER
 ATOP P.K./WASHER
 ATOP BOAT SPIKE
 FIELD BOOK # 53
 SET P.K./WASHER
 8-31-01, SAH
 FD P.K./WASHER
 6/23/15, DCH
 REF13
 11/29/16, DCH
 SET MAG/WASHER
 REF13
 8-21-19, JFO

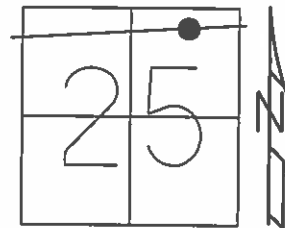


O.D.O.T. DISTRICT 2 SURVEY OFFICE (USE ONLY)

PERSONNEL _____ REFERENCE NO. 13 SHEET 5 OF 34

NOTES LEU DATE 06-23-2015 ROUTE SR 412
 H.C. LEU WEATHER PARTLY CLOUDY COUNTY SANDUSKY
 R.C. HOMAN TEMP. 80°F TOWNSHIP RILEY
 SECTION 25
 T 5 N R 16 E

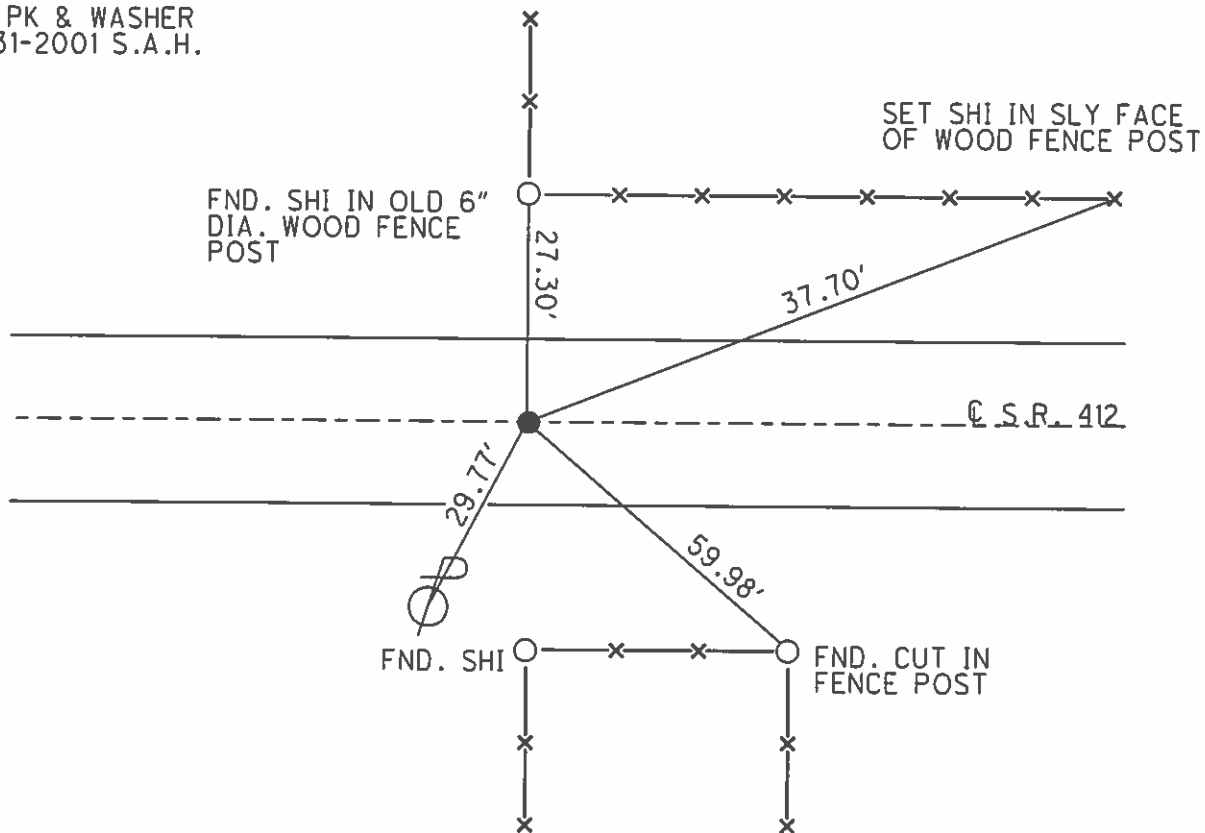
TYPE MONUMENT PK & WASHER
 ON SURFACE - ~~BELOW~~ ON _____
~~LEFT~~ - CL PAV'T - RIGHT 0.6'
8.5' TO RT EDGE PAVEMENT
 S.L.M. 340+57



Grid: Northing: 621077.116 Easting: 1842466.961

REC:
 PI
 40+07.6±
 PK & WASHER ATOP SAME ATOP
 BOAT SPIKE. FIELD BOOK # 53

SET PK & WASHER
 08-31-2001 S.A.H.



O.D.O.T. DISTRICT 2 SURVEY OFFICE

PERSONNEL

REFERENCE NO. 13

SHEET 5 OF 11

NOTES TED ROUSOS

H.C. VAN DUSEN

R.C. ADAM B.

DATE 7-05-01

WEATHER SUNNY

TEMP. +75° F

ROUTE 412

COUNTY SANDUSKY

TOWNSHIP RILEY

SECTION _____

T 5 N R 16 E

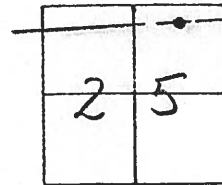
TYPE MONUMENT PK WASHER

ON SURFACE - ~~BELOW~~ YES

~~LEFT~~ - C. PAV'T. - RIGHT 0.6'

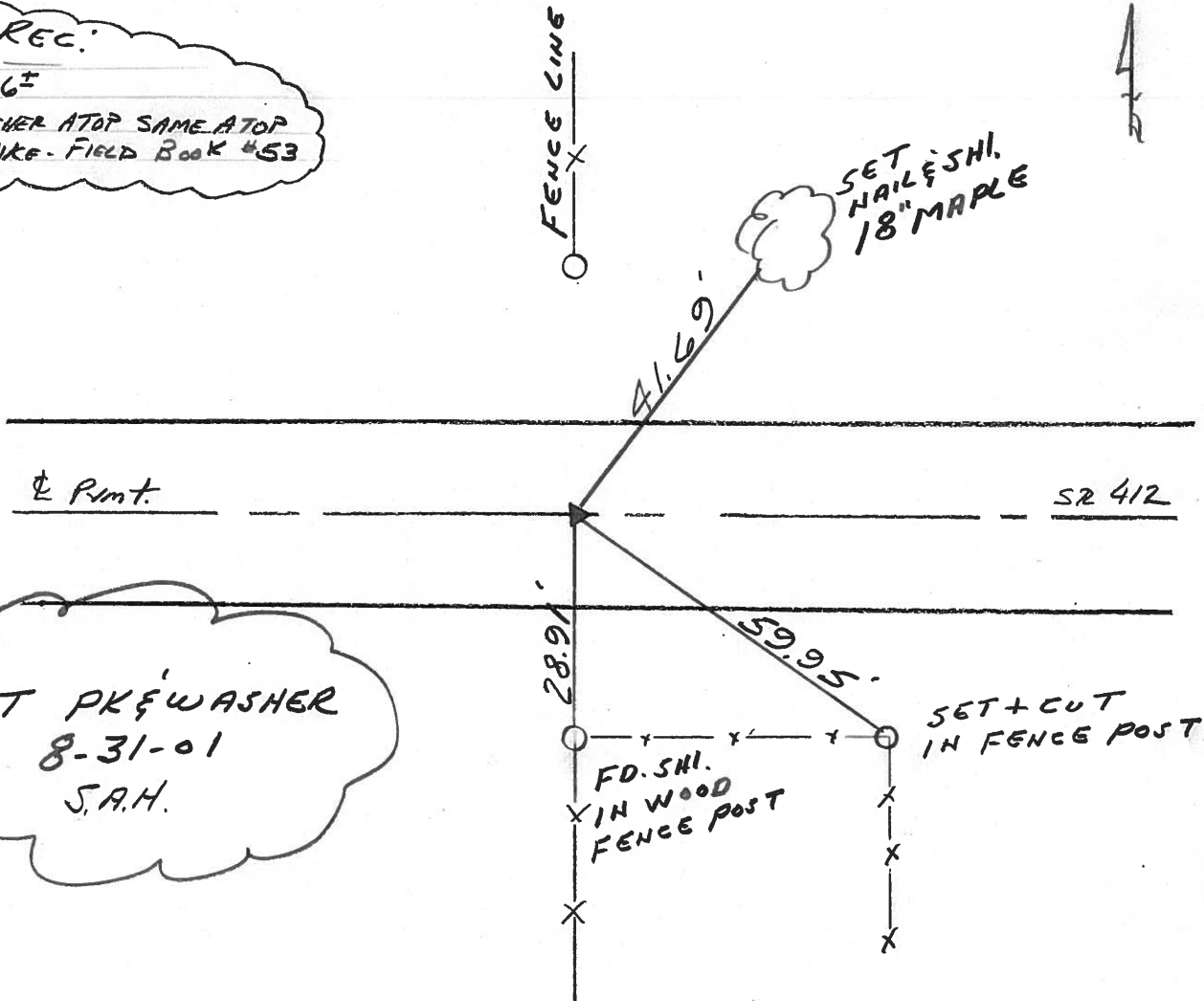
8.5 TO RT. EDGE PAVEMENT

S.L.M. 340+57



PI REC:
40+07.6±
 PK & WASHER ATOP SAME ATOP
 BOAT SPIKE - FIELD BOOK #53

FENCE LINE



SET PK & WASHER
 8-31-01
 J.A.H.

FD. SHI.
 IN WOOD
 FENCE POST

SET + CUT
 IN FENCE POST

Q Pmt.

SR 412

28.91'

59.95'

O.D.O.T. DISTRICT 2 SURVEY OFFICE

6

PERSONNEL

REFERENCE NO. 13

SHEET OF

NOTES CRONIN (DRAW)

DRAWN 3/08/89

H.C. RIPPLE

DATE 11/01/89

ROUTE # 412

R.C. BARBOUR

WEATHER SUNNY

COUNTY SANDUSKY

GEYMAN

TEMP. 50°

TOWNSHIP LILEY

SECTION

T 5 N R 16 E

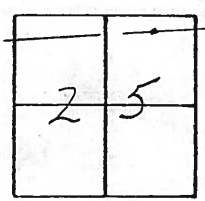
TYPE MONUMENT P.K. WASHER

ON SURFACE - BELOW

LEFT - ☉ PAV'T. - RIGHT

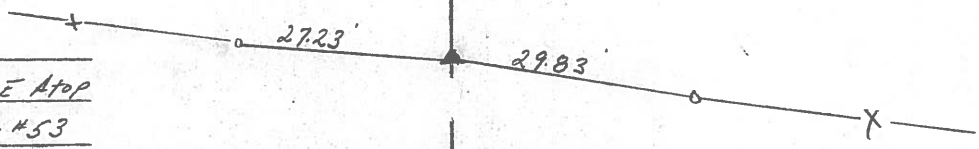
 TO EDGE PAVEMENT

S.L.M. 6.4 ± 40±07.6 ±



S.R. # 412

P.I.
40±07.6 ±
P.K. WASHER ATOP SAME ATOP
BOAT SPIKE - FIELD BOOK #53



County SANDUSKY S.R. 412

Date 7/14/81 Drawn 8/7/81

Township RILEY

Weather SUNNY

Section 25

Temp. 68°

T5N, R16E

Personnel CRONIN

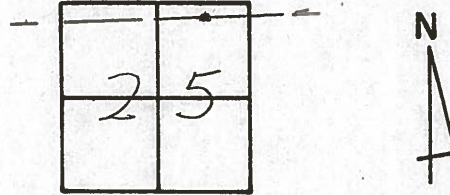
RIPPLE

GEYMAN

MOSSER

BARBOUR

#13

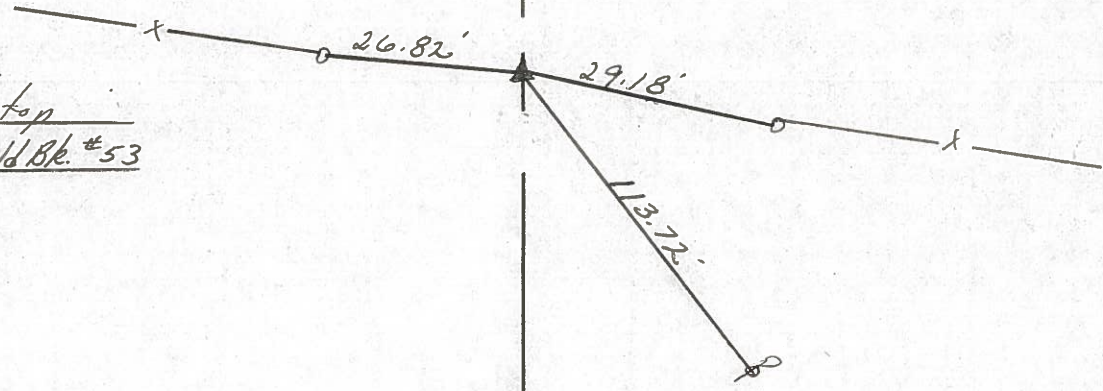


P.I.

40+07.6 ±

Reset P.K. & Washer atop

Bolt spike. Ref Field Blk. #53



S.R. #412

PERSONNEL	TITLE	PERSONNEL	TITLE
Cronin			
Ash			
Ripple			
Geyman			

COUNTY Sandusky Tied 2/4/75
 DATE Drawn 2/3/75
 S. R. # 412 WEATHER overcast
 SEC. # 1 - Field Bk # 53 TEMP. 30°

DESCRIPTION Ties for Control Points JOB NO. _____

