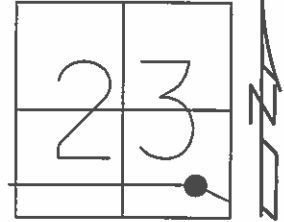


O.D.O.T. DISTRICT 2 SURVEY OFFICE (USE ONLY)

PERSONNEL _____ REFERENCE NO. 26 B SHEET 23 OF 34
 NOTES HOMAN DATE 06-25-2015 ROUTE SR 412
 H.C. HOMAN WEATHER RAIN COUNTY SANDUSKY
 R.C. LEU TEMP. 66°F TOWNSHIP TOWNSEND
 _____ SECTION 23
 _____ T 5 N R 17 E

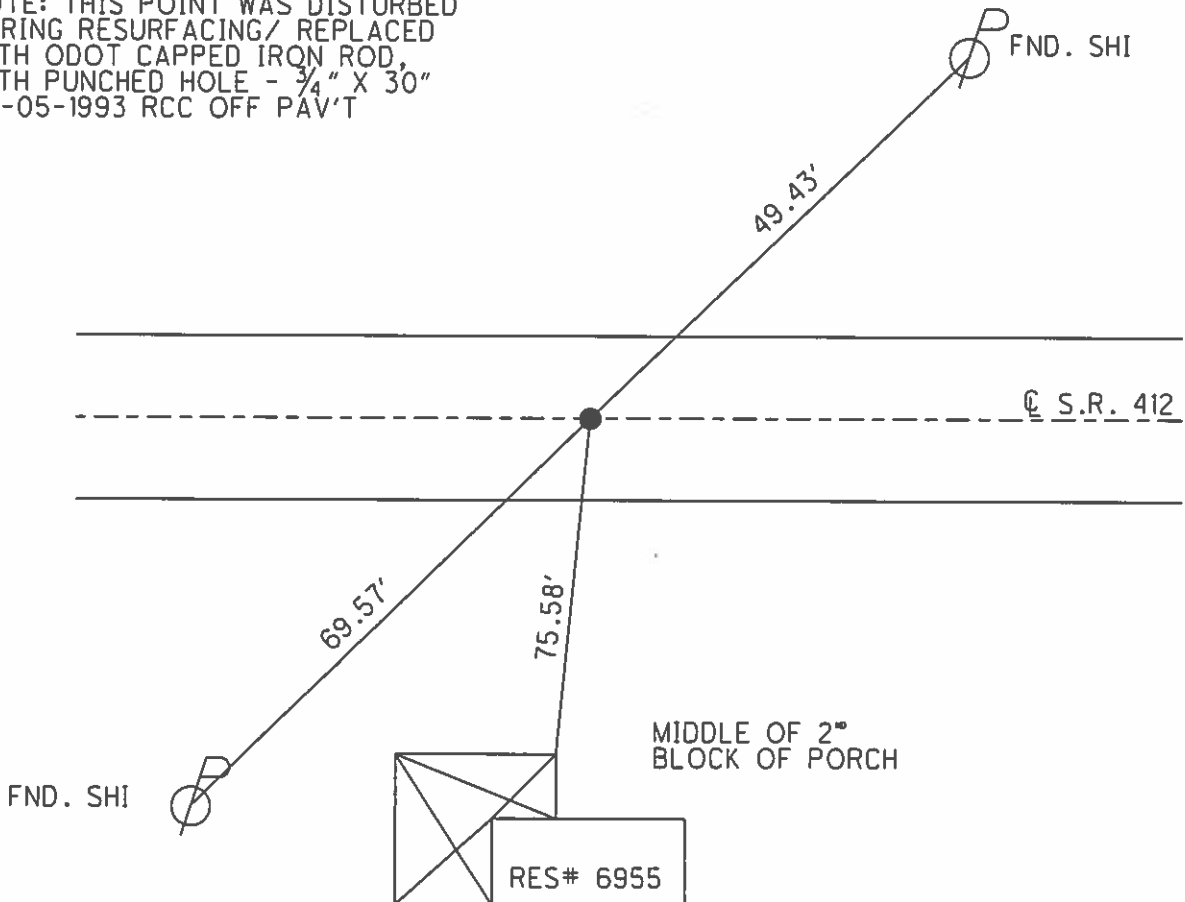
TYPE MONUMENT ODOT CAPPED IRON ROD
~~ON SURFACE~~ - BELOW 0.5'
~~LEFT~~ - ☉ PAV'T - RIGHT 12.2'
2.6' TO RT EDGE PAVEMENT
 S.L.M. 605+80



Grid: Northing: 623644.850 Easting: 1868704.885

REC: 05-02-1989
 P.I. STA. 575+12.75
 0.73± MI. E. OF
 CR #302 POINT SET
 BY SPLITTING PAV'T
 FWD. & BK. NOTHING
 ELSE WAS AVAILABLE

NOTE: THIS POINT WAS DISTURBED
 DURING RESURFACING/ REPLACED
 WITH ODOT CAPPED IRON ROD,
 WITH PUNCHED HOLE - 3/4" X 30"
 08-05-1993 RCC OFF PAV'T



O.D.O.T. DISTRICT 2 SURVEY OFFICE

PERSONNEL

REFERENCE NO. 26-B

SHEET 8 OF 16

NOTES Barnhisel

DATE 4-10-03

ROUTE S.R. 412

H.C. Canterberry

WEATHER Cloudy

COUNTY SANDUSKY

R.C. Brumbaugh

TEMP. +35°

TOWNSHIP TOWNSEND

SECTION 23

T 5 N R 17 E

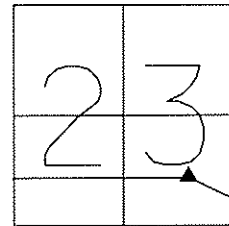
TYPE MONUMENT ODOT capped Iron rod

~~ON SURFACE~~ - BELOW .5'

~~LEFT~~ - Q PAV'T - RIGHT 12.2'

2.6 RT TO RT EDGE PAVEMENT

S.L.M. 605+80



Record: 05-02-1989
 P.I. Sta. 575+12.75
 0.73+/- Mi. E. of
 CR #302 Point set
 by splitting pav't
 fwd. & bk. Nothing
 else was available

Note: This point was disturbed
 during resurfacing/ Replaced
 with ODOT capped Iron Rod,
 with punched hole-3/4" X 30"
 08-05-1993 RCC

