

O.D.O.T. DISTRICT 2 SURVEY OFFICE (USE ONLY)

PERSONNEL

REFERENCE NO. 9

SHEET 10 OF 17

NOTES GARRETT

DATE 7/23/20

ROUTE SR 510

H.C. RHOADES

WEATHER CLOUDY

COUNTY SANDUSKY

R.C. ADKINS

TEMP. 77°

TOWNSHIP RILEY

SECTION 35

DWG BY RHOADES

PID PAVE TRAIN

T 5 N R 16 E

TYPE MONUMENT MAG SHANK

ON SURFACE - ~~BELOW~~ ON

OFFSET  $\varnothing$  PAVEMENT ON LT : RT

- TO - EDGE PAVEMENT

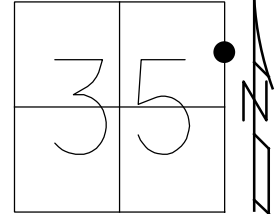
STATION: 172+74

HORZ.DATUM: NAD83 2011

GEOID: NAVD88 2012A

GRID: NORTHING: 615102.861

EASTING: 1838359.903

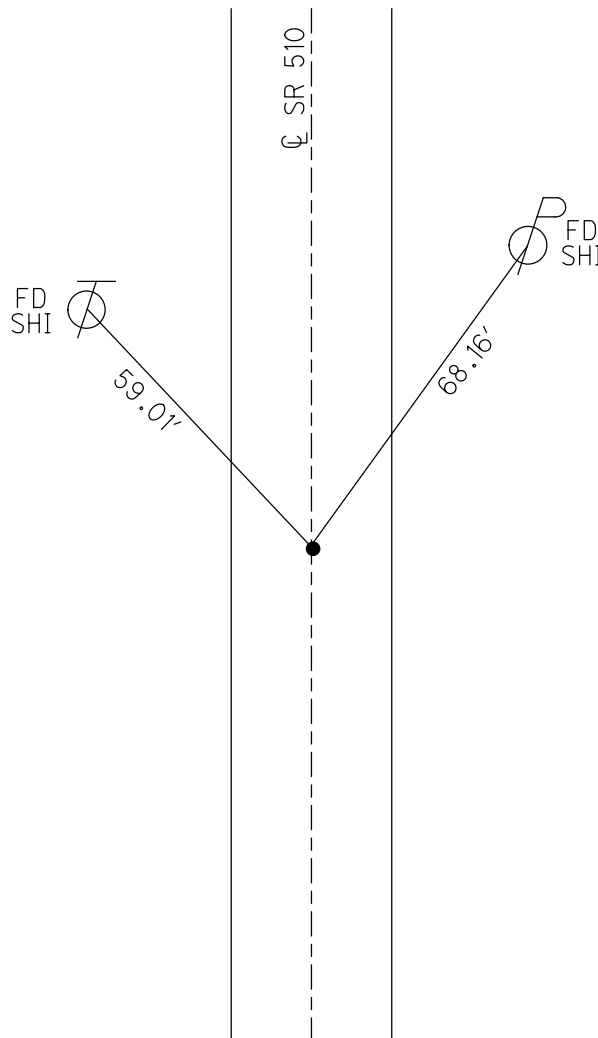


RECORD:

STA 172+12.50  
FD P.K./WASHER  
1 1/2" DOWN  
SET SM.SPIKE  
1971

FD P.K./WASHER  
6/21/04, DCH  
SET MAG/WASHER  
10/08/04, DCH  
FD MAG SHANK  
REF9

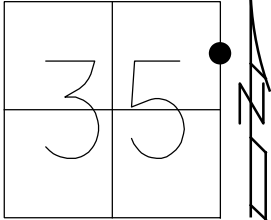
7/23/20, JMR  
3/10/21, JMR



O.D.O.T. DISTRICT 2 SURVEY OFFICE (USE ONLY)

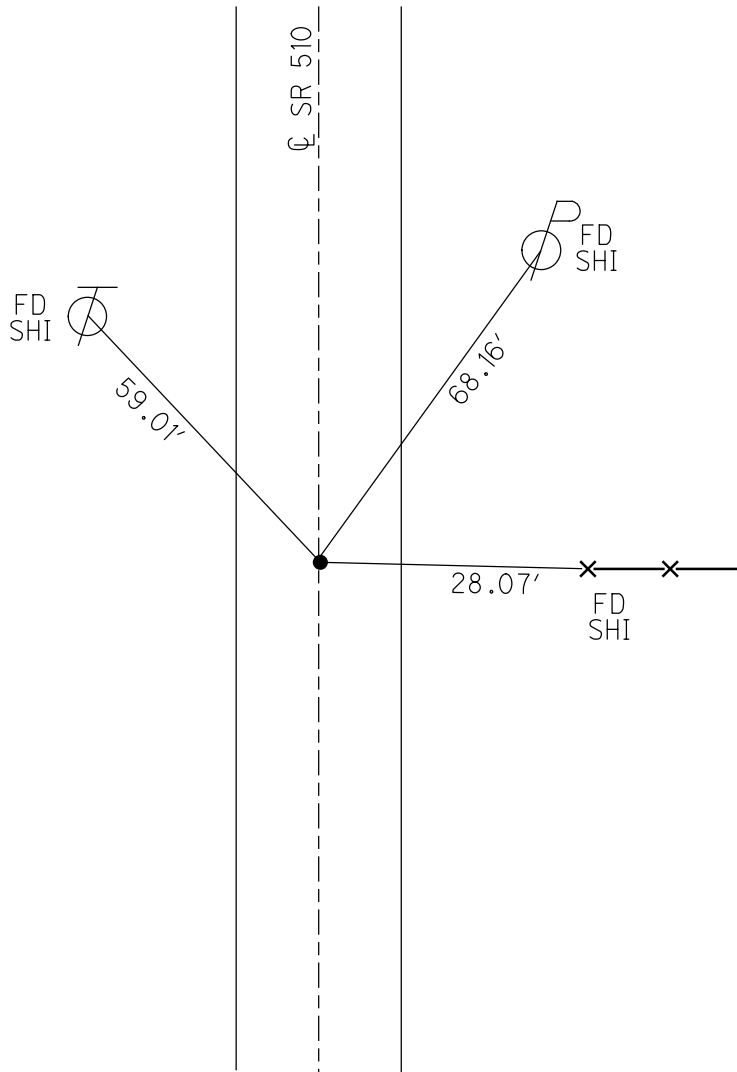
PERSONNEL \_\_\_\_\_ REFERENCE NO. 9 SHEET 10 OF 17  
 NOTES HOMAN DATE 6/21/04 ROUTE SR 510  
 H.C. HOMAN WEATHER SUNNY COUNTY SANDUSKY  
 R.C. ADKINS TEMP. 80° TOWNSHIP RILEY  
 \_\_\_\_\_ SECTION 35  
 DWG BY \_\_\_\_\_ PID \_\_\_\_\_ T 5 N R 16 E

TYPE MONUMENT P.K./WASHER  
 ON SURFACE - ~~BELOW~~ ON  
 OFFSET Q PAVEMENT ON \_\_\_\_\_ LT : RT  
- TO - EDGE PAVEMENT  
 STATION: 172+74



HORIZ.DATUM: \_\_\_\_\_ GEOID: \_\_\_\_\_  
 GRID: NORTHING: \_\_\_\_\_ EASTING: \_\_\_\_\_

RECORD:  
 STA 172+12.50  
 FD P.K./WASHER  
 1 1/2" DOWN  
 SET SM.SPIKE  
 1971  
 SET MAG/WASHER  
 10/08/04, DCH



O.D.O.T. DISTRICT 2 SURVEY OFFICE

PERSONNEL \_\_\_\_\_

REFERENCE NO. 9

SHEET 10 OF 17

NOTES HOMAN \_\_\_\_\_

DATE 6-21-04

ROUTE SR 510

H.C. HOMAN \_\_\_\_\_

WEATHER SUNNY

COUNTY SANDUSKY

R.C. ADKINS \_\_\_\_\_

TEMP. +80°

TOWNSHIP RILEY

SECTION 35 & 36

T 5 N R 16 E

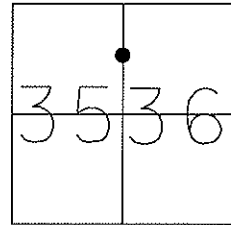
TYPE MONUMENT P.K. & WASHER

ON SURFACE ~~BELOW~~ \_\_\_\_\_ ON \_\_\_\_\_

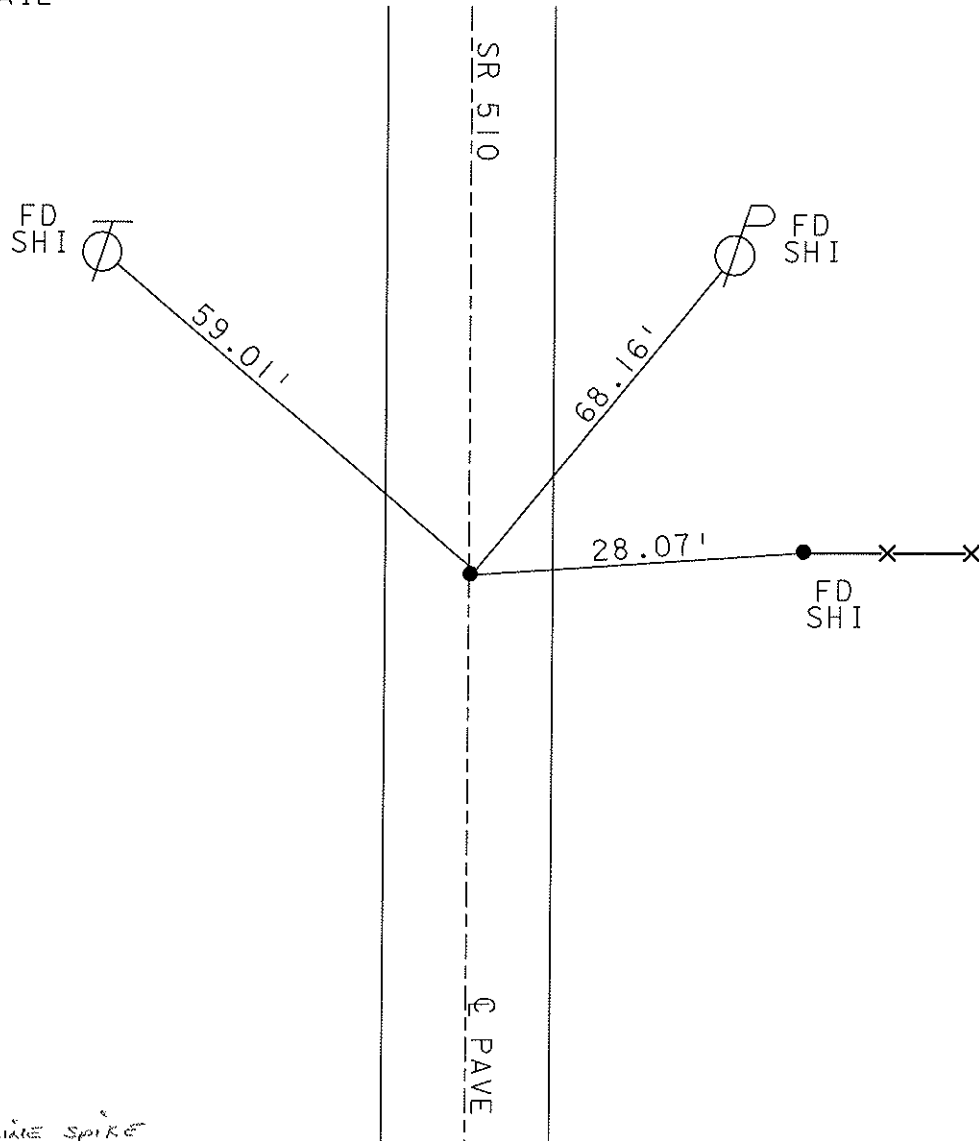
~~LEFT~~ - Q PAV'T - ~~RIGHT~~ \_\_\_\_\_ ON \_\_\_\_\_

\_\_\_\_\_ TO \_\_\_\_\_ EDGE PAVEMENT

S.L.M. \_\_\_\_\_ 172+74



RESET MAG NAIL  
10-8-04  
DCH



Records 1971

172+12.50

P.K./washer - mine spike

O.D.O.T. DISTRICT 2 SURVEY OFFICE

PERSONNEL

REFERENCE NO. 9

SHEET 8 OF 15

NOTES RIPPLE

H.C. BARBOUR

DATE 8/15/90

ROUTE SR# 510

R.C. GEYMAN

WEATHER SUNNY

COUNTY SANDUSKY

TEMP. 65°

TOWNSHIP RILEY

SECTION 35 & 36

T. 5 N. R. 16 E.

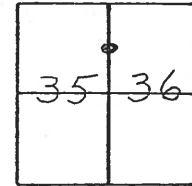
TYPE MONUMENT SET PK. & WASHER

ON SURFACE - BELOW ATOP PK. & WASHER ATOP MINE SPIKE

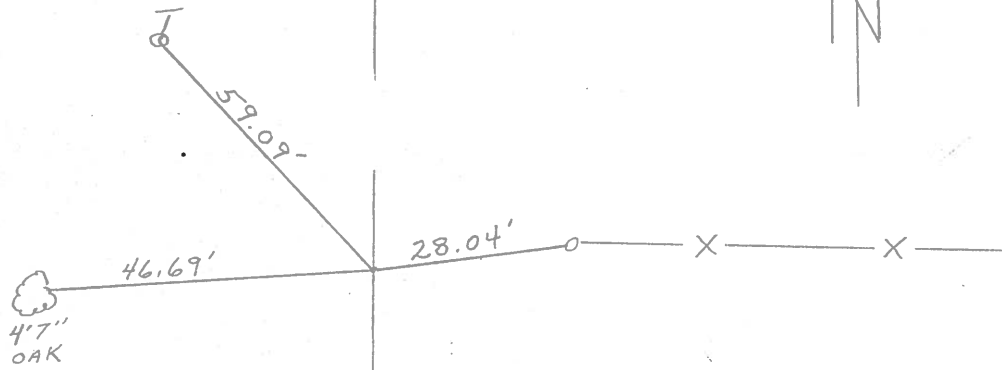
LEFT - & PAV'T. - RIGHT & PAYMT.

TO EDGE PAVEMENT

S.L.M. \_\_\_\_\_



172+12.50



R/W SR# 510

O.D.O.T. DISTRICT 2 SURVEY OFFICE

SHEET

OF

8

County Sandusky S.R. #510

Date 9/10/82

Township Riley

Weather sunny

Section 35 & 36

Temp. 75°

T<sup>5</sup>N, R<sup>16</sup>E

Personnel Cronin

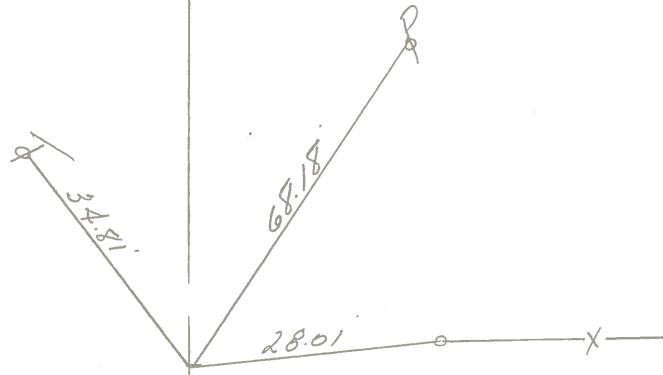
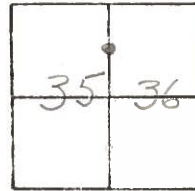
Lippke

Geyman

Mosser

Barbour

#9



172 + 12.50

set P.K. & washer at top mine spike

R. B. W. S. R. #5107

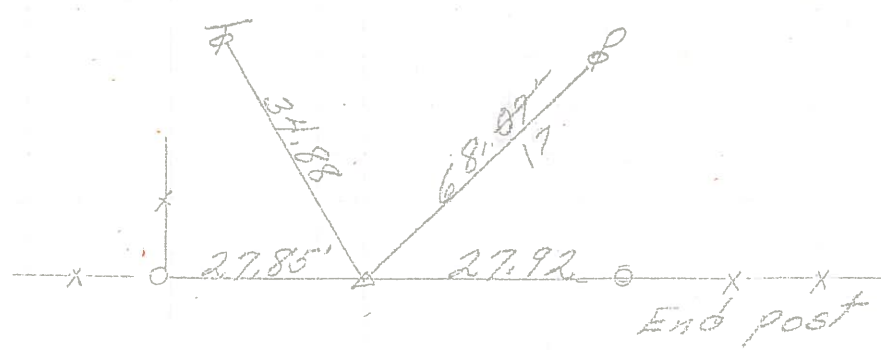
PERSONNEL	TITLE	PERSONNEL	TITLE

COUNTY Sandusky DATE 4-15-71  
S. R. 510 WEATHER Fair  
SEC. U.S. 20 to U.S. 6 TEMP. 50°

DESCRIPTION \_\_\_\_\_ LEFT \_\_\_\_\_ CENTER LINE \_\_\_\_\_ RIGHT \_\_\_\_\_ JOB NO. \_\_\_\_\_

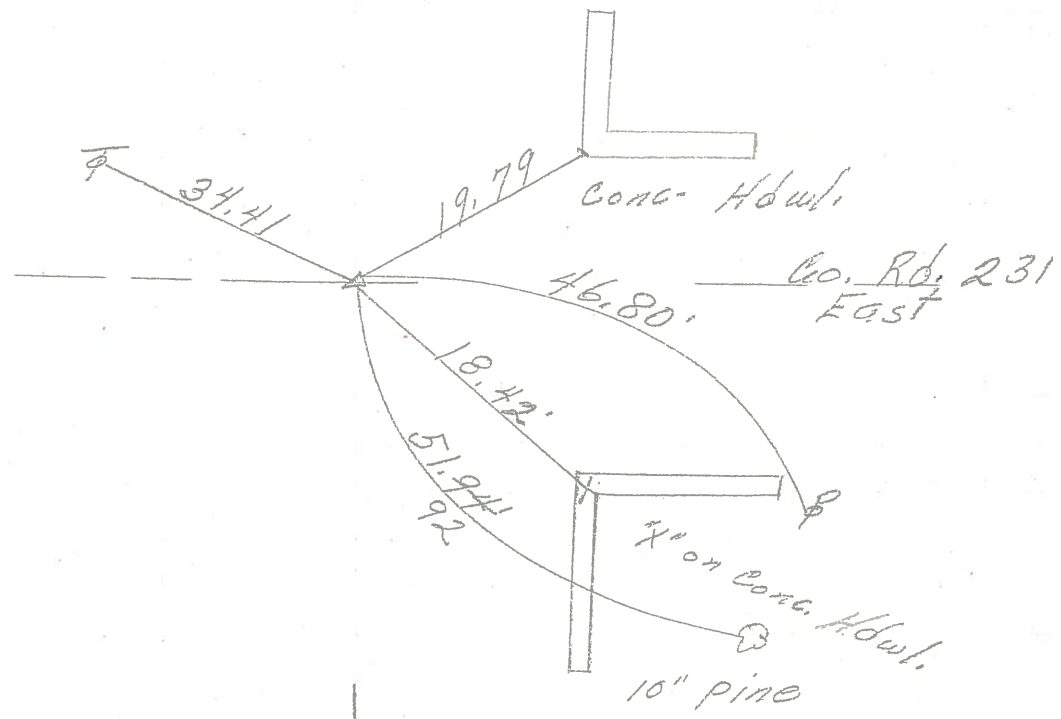
9.

172+12.50  
P.K. Nail  
1/2" down  
Reset small spk



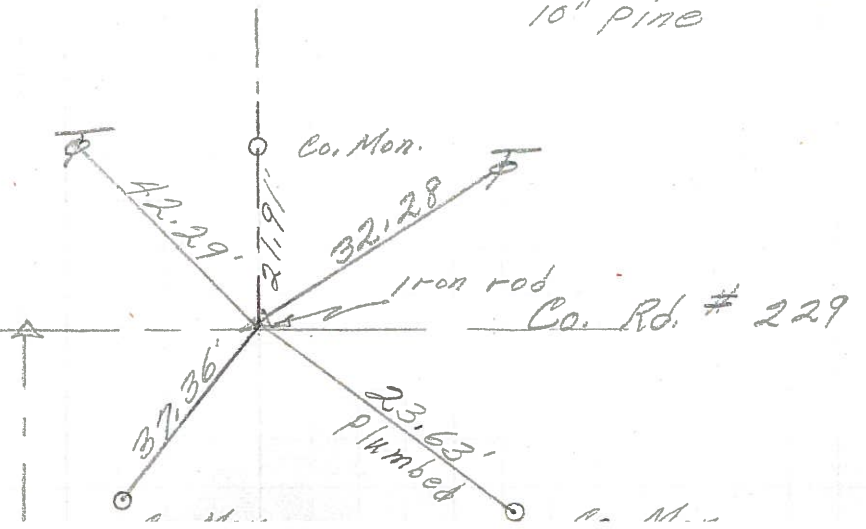
8

158+92.80  
Fd. P.K. Nail  
4.3' Rt. of C



~~7A~~

3/4" rod on south  
side of stone  
1' S. of edge Parm't.



PERSONNEL	TITLE	PERSONNEL	TITLE	COUNTY	DATE
Schneider		Potts		Sandusky	9-22-68
Mosser				S. R. # 510	WEATHER Fair
Barbour				SEC. U.S. #20 to U.S. #6	TEMP. 65°
Redding					

DESCRIPTION Ties for control Points JOB NO. \_\_\_\_\_

