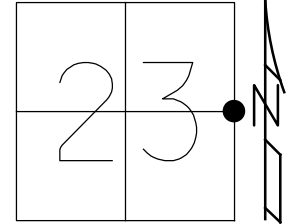


O.D.O.T. DISTRICT 2 SURVEY OFFICE (USE ONLY)

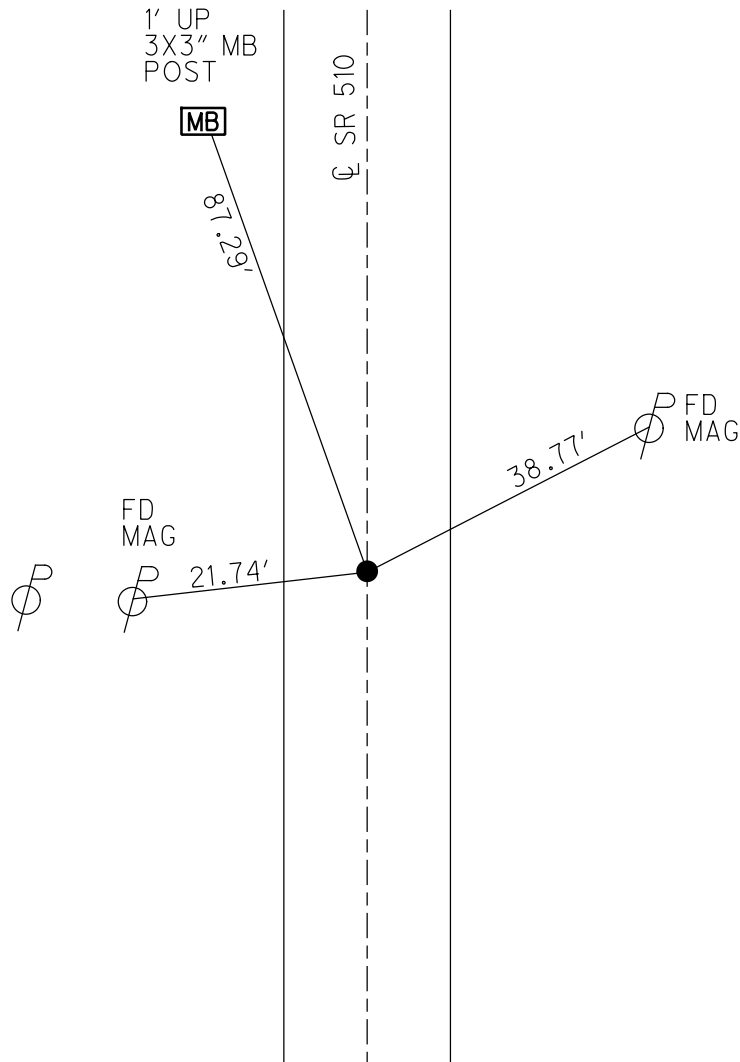
PERSONNEL _____ REFERENCE NO. 14 SHEET 15 OF 18
 NOTES RHOADES DATE 5/25/21 ROUTE SR 510
 H.C. NIESH WEATHER CLOUDY COUNTY SANDUSKY
 R.C. RHOADES TEMP. 86° TOWNSHIP RILEY
 DWG BY RHOADES PID PAVTRAIN SECTION 23
 T 5 N R 16 E

TYPE MONUMENT 1/2" IPIN
~~ON SURFACE~~ - BELOW 3"
 OFFSET ϕ PAVEMENT ON _____ LT : RT
 _____ TO _____ EDGE PAVEMENT
 STATION: 265+10

HORIZ.DATUM: NAD83 2011 GEOID: NAVD88 2018
 GRID: NORTHING: 624367.526 EASTING: 1838551.137



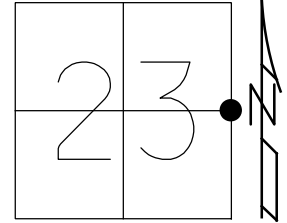
RECORD:
 FD R.R.SPIKE
 1971
 SET MAG/WASHER
 10/08/04, DCH
 FD 1/2" IPIN
 3" DOWN
 REF14
 5/25/21, TDN
 1/20/23, JMR



O.D.O.T. DISTRICT 2 SURVEY OFFICE (USE ONLY)

PERSONNEL _____ REFERENCE NO. 14 SHEET 15 OF 18
 NOTES RHOADES DATE 5/25/21 ROUTE SR 510
 H.C. NIESH WEATHER CLOUDY COUNTY SANDUSKY
 R.C. RHOADES TEMP. 86° TOWNSHIP RILEY
 _____ SECTION 23
 DWG BY RHOADES PID PAVTRAIN T 5 N R 16 E

TYPE MONUMENT 1/2" IPIN
~~ON SURFACE~~ - BELOW 3"
 OFFSET \odot PAVEMENT ON _____ LT : RT
 _____ TO _____ EDGE PAVEMENT
 STATION: 265+10



HORIZ.DATUM: NAD83 2011 GEOID: NAVD88 2018
 GRID: NORTHING: 624367.526 EASTING: 1838551.137

RECORD:
 FD R.R.SPIKE
 1971
 SET MAG/WASHER
 10/08/04, DCH
 FD 1/2" IPIN
 3" DOWN
 REF14
 5/25/21, TDN

