

O.D.O.T. DISTRICT 2 SURVEY OFFICE (USE ONLY)

PERSONNEL _____

REFERENCE NO. 4

SHEET 6 OF 33

NOTES TRENKA DATE 6-11-18

H.C. RHOADES WEATHER CLOUDY

R.C. TRENKA TEMP. 64°

ROUTE SR 590

COUNTY SANDUSKY

TOWNSHIP JACKSON

SECTION 27

DWG BY AUBLE PID 95765

T 4 N R 14 E

TYPE MONUMENT MAG/WASHER

ON SURFACE - ~~BELOW~~ ON

OFFSET \varnothing PAVEMENT 0.54' LT : ~~RT~~

9.7' TO LT EDGE PAVEMENT

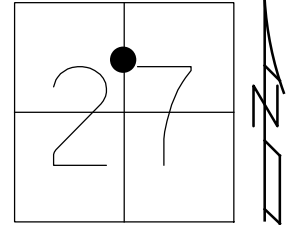
STATION: 93+07

HORZ.DATUM: NAD83(2011)

GEOID: 2012A

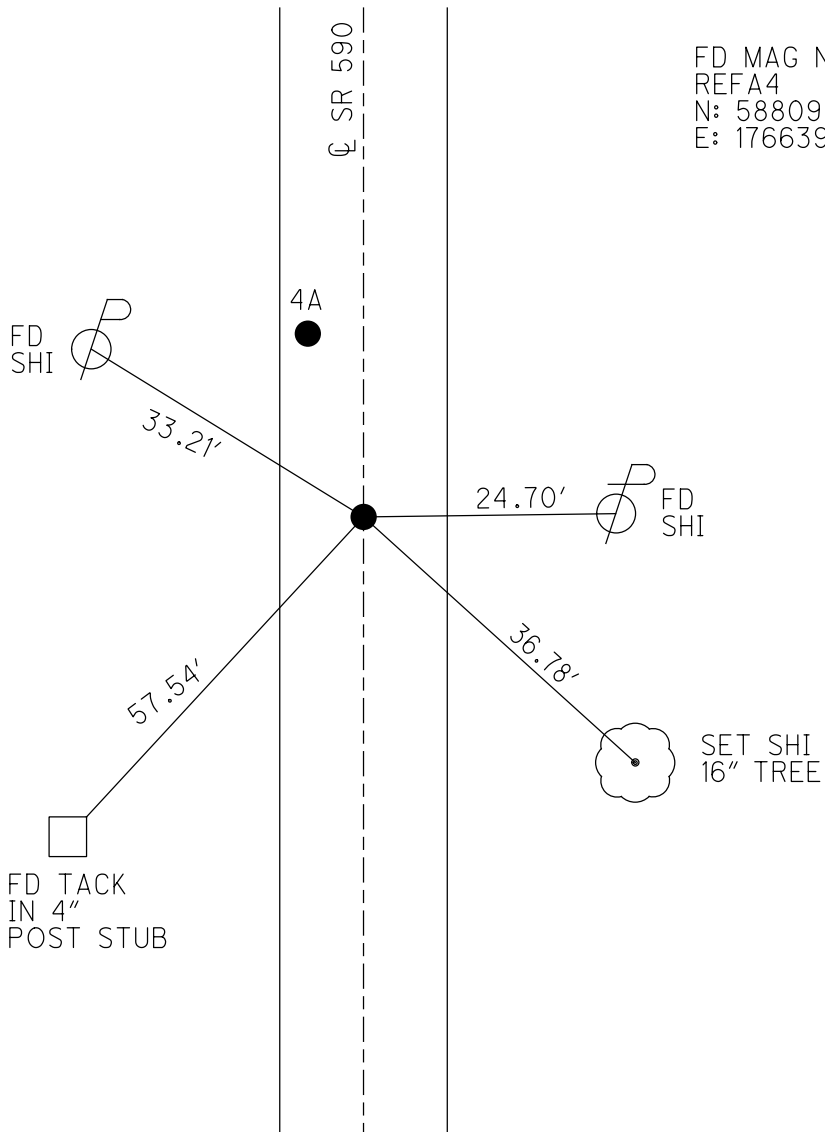
GRID: NORTHING: 588080.951

EASTING: 1766409.292



RECORD:
 FD P.K./WASHER
 5/4/82
 SET P.K./WASHER
 6/29/93, RCC
 FD R.R.SPIKE
 1" DOWN
 7/21/10, MC
 SET MAG/WASHER
 10/19/10, MRC
 FD MAG/WASHER
 1" DOWN
 REF4
 8-23-19, JFO

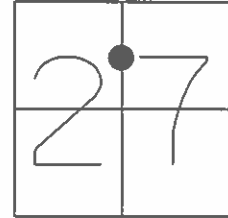
FD MAG NAIL
 REF4
 N: 588098.470
 E: 1766399.634



O.D.O.T. DISTRICT 2 SURVEY OFFICE (USE ONLY)

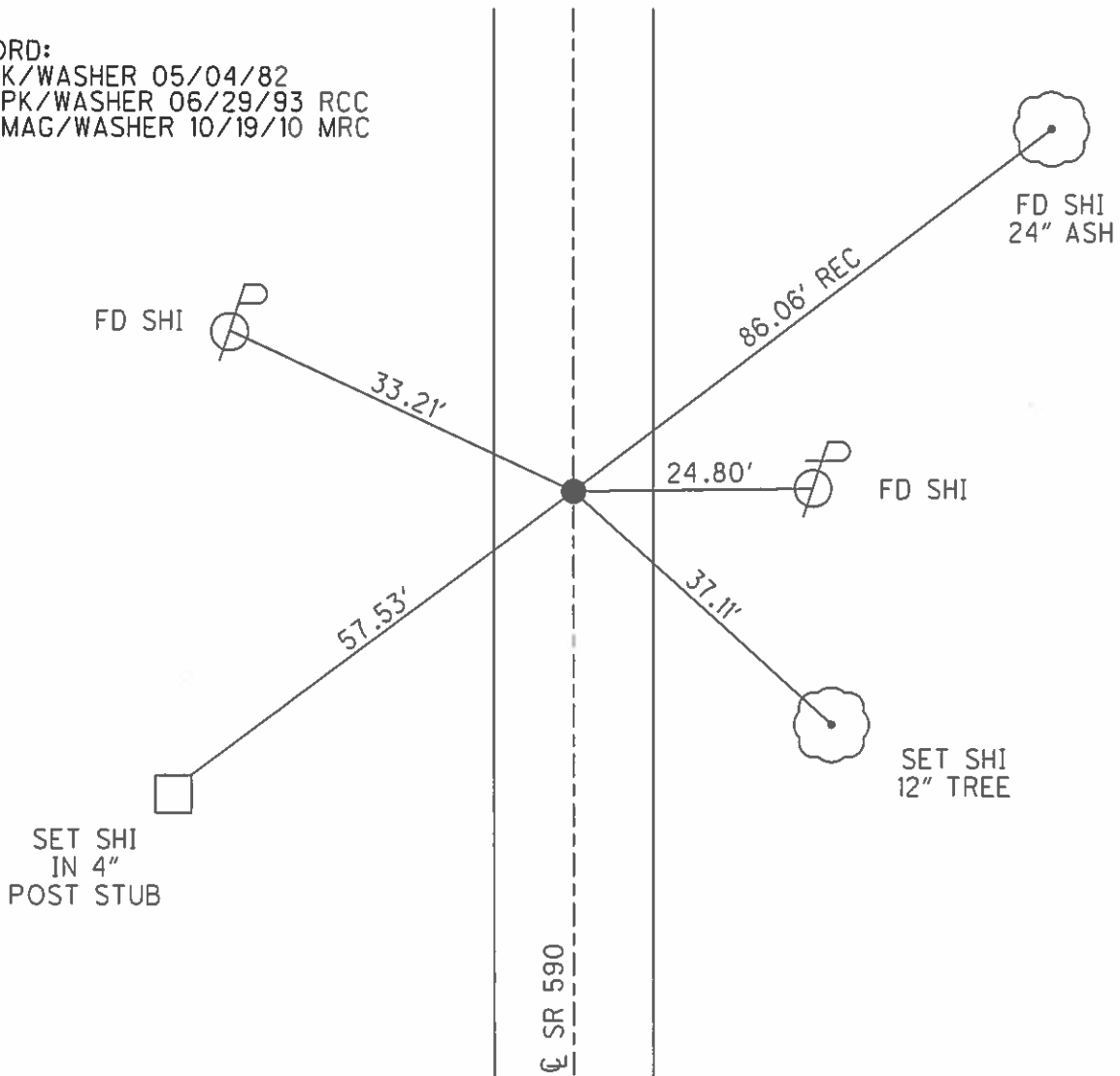
PERSONNEL _____ REFERENCE NO. 4 SHEET 6 OF 33
 NOTES CANTERBURY DATE 07/21/10 ROUTE SR 590
 H.C. HUSS WEATHER FAIR COUNTY SANDUSKY
 R.C. HARBAUGH TEMP. +86° TOWNSHIP JACKSON
 _____ SECTION 27
 _____ T 4 N R 14 E

TYPE MONUMENT _____ RR SPK _____
~~ON SURFACE~~ - BELOW _____ 1" _____
 LEFT - ~~C PAV'T~~ - RIGHT _____ 0.54' _____
9.7' TO LT. EDGE PAVEMENT
 S.L.M. _____ 93+07 _____



GRID: NORTHING: 588080.975 EASTING: 1766409.142

RECORD:
 FD PK/WASHER 05/04/82
 SET PK/WASHER 06/29/93 RCC
 SET MAG/WASHER 10/19/10 MRC



O.D.O.T. DISTRICT 2 SURVEY OFFICE

PERSONNEL

REFERENCE NO. 4

SHEET 4 OF 18

NOTES RIPPLE

H.C. BARBOUR

R.C. SEYMAN

DATE 5-18-1993

WEATHER FAIR

TEMP. 63°

ROUTE # 590

COUNTY SANDUSKY

TOWNSHIP JACKSON

SECTION 27

T 4 N R 14 E

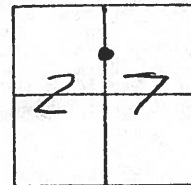
TYPE MONUMENT PK/WASHER

~~ON~~ SURFACE - BELOW 1"

LEFT-~~C~~ PAV'T. - ~~RIGHT~~ 0.4'

10' TO LT. EDGE PAVEMENT

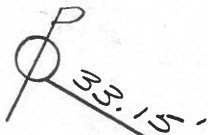
S.L.M. 93+07



RECORD: 5-4-1983
 STA. 93+38 (93+02.88) P.I.
 FD. PK/WASHER

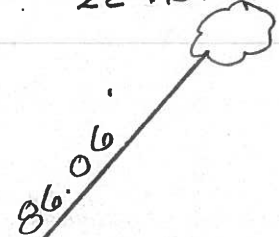
SET PK/WASHER
 6-29-1993
 RCC

FD. N/S.
 S.E. SIDE



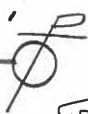
S. R. #590

FD. N/S.
 S.W. SIDE
 22" ASH



24.75'

FD. N/S.
 W. SIDE



33.47'

FD. N/S.
 N.E. SIDE
 18" CATALPA



E. PAV'T.

County SANDUSKY S.R. 590

Date 5-4-82

Township Jackson

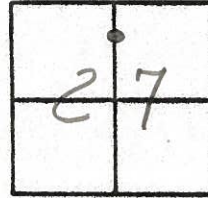
Weather Clear

Section 27

Temp. + 75°

T4N, R4E

Personnel Hoffman



Crew

4

Fd. P. K. / Washer

SLM sta ± 93+38

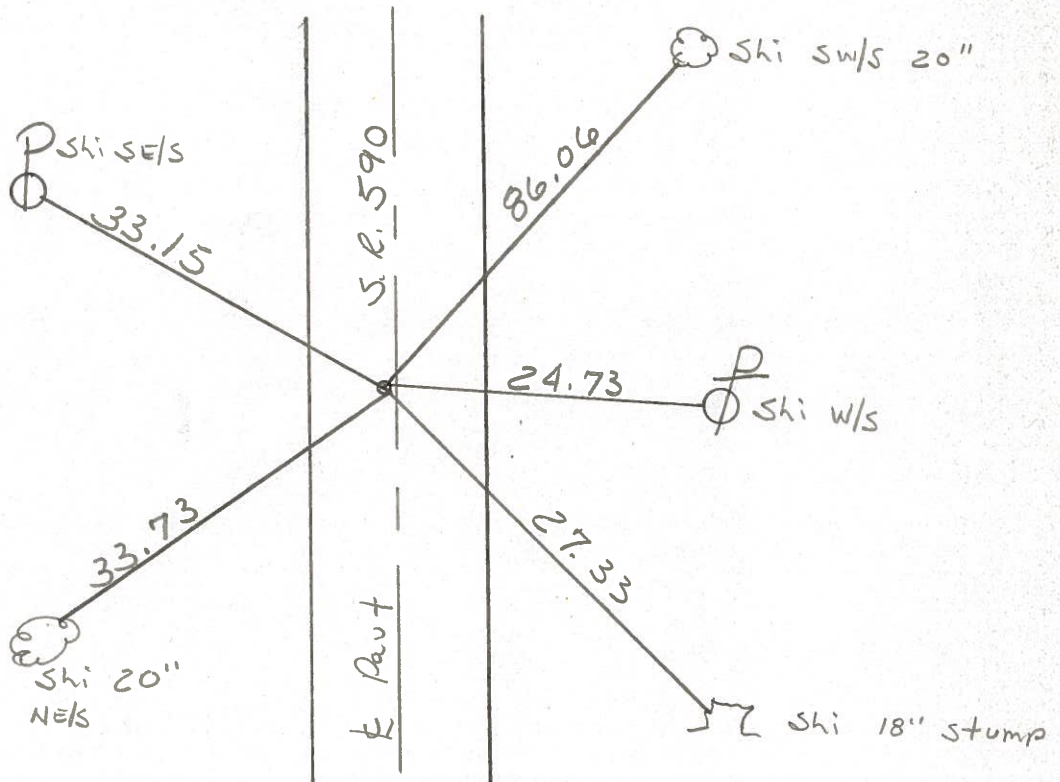
0.40' Lt. of E Pavt

P.I.

9.2' TO W. EP.

10.7' TO E. EP.

P.I. 93+02.88



PERSONNEL TITLE PERSONNEL TITLE

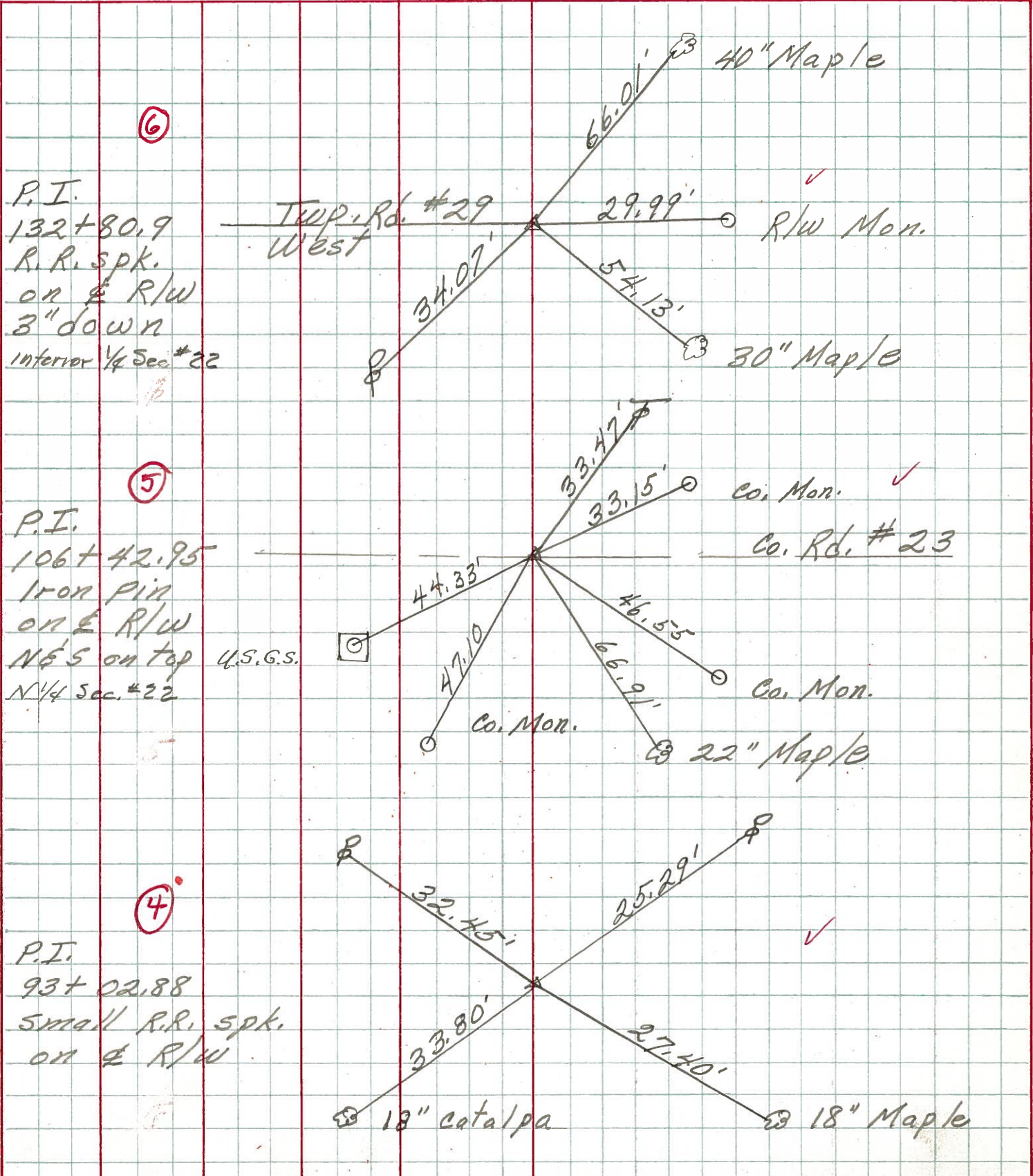
COUNTY Sandusky DATE 7-29-71

S. R. 590 WEATHER Fair

SEC. 27 & 22 TEMP. 75°

DESCRIPTION Seneca Co. Line North JOB NO.

LEFT CENTER LINE RIGHT



PERSONNEL TITLE PERSONNEL TITLE
Schnieder _____
Mosser _____
Barbour _____

COUNTY Sandusky DATE 4-1-68
 S. R. 590 WEATHER Cool
 SEC. Sen. Co. Line North TEMP. 45°

DESCRIPTION Ties for Control Points JOB NO. _____

