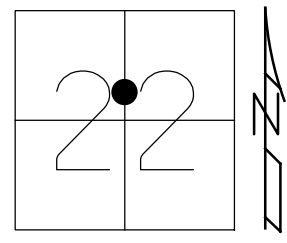


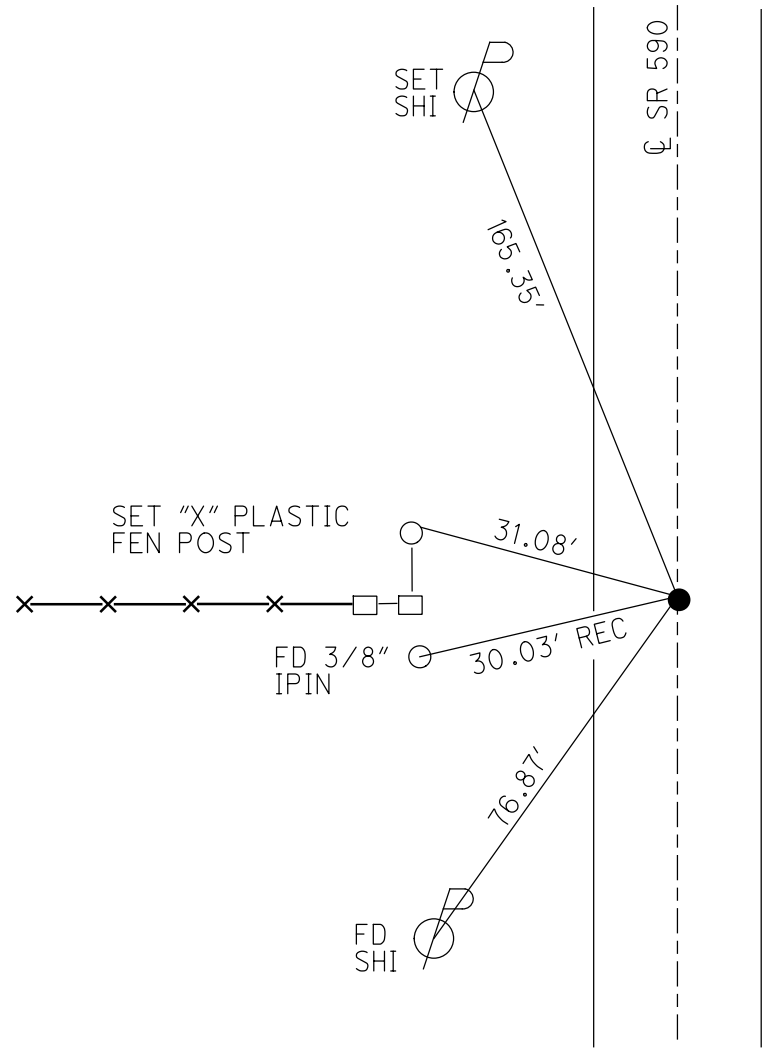
O.D.O.T. DISTRICT 2 SURVEY OFFICE (USE ONLY)

PERSONNEL _____ REFERENCE NO. 6 A SHEET 9 OF 33
 NOTES TRENKA DATE 6-11-18 ROUTE SR 590
 H.C. RHOADES WEATHER CLOUDY COUNTY SANDUSKY
 R.C. TRENKA TEMP. 64° TOWNSHIP JACKSON
 DWG BY AUBLE PID 95765 SECTION 22
 T 4 N R 14 E

TYPE MONUMENT MAG/WASHER
 ON SURFACE - ~~BELOW~~ ON
 OFFSET ☉ PAVEMENT 3' LT : ~~RT~~
7.3' TO W EDGE PAVEMENT
 STATION: 147+34



HORZ. DATUM: NAD83(2011) GEOID: 2012A
 GRID: NORTHING: 593507.922 EASTING: 1766353.939

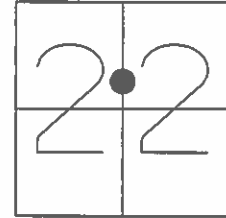


RECORD:
 FD P.K./WASHER
 1.5" DOWN
 5/4/82
 SET P.K./WASHER
 6/29/93, RCC
 FD P.K./WASHER
 7/21/10, MC
 SET MAG/WASHER
 10/19/10, MRC
 FD MAG/WASHER
 1" DOWN
 REF6
 8-23-19, JFO

O.D.O.T. DISTRICT 2 SURVEY OFFICE (USE ONLY)

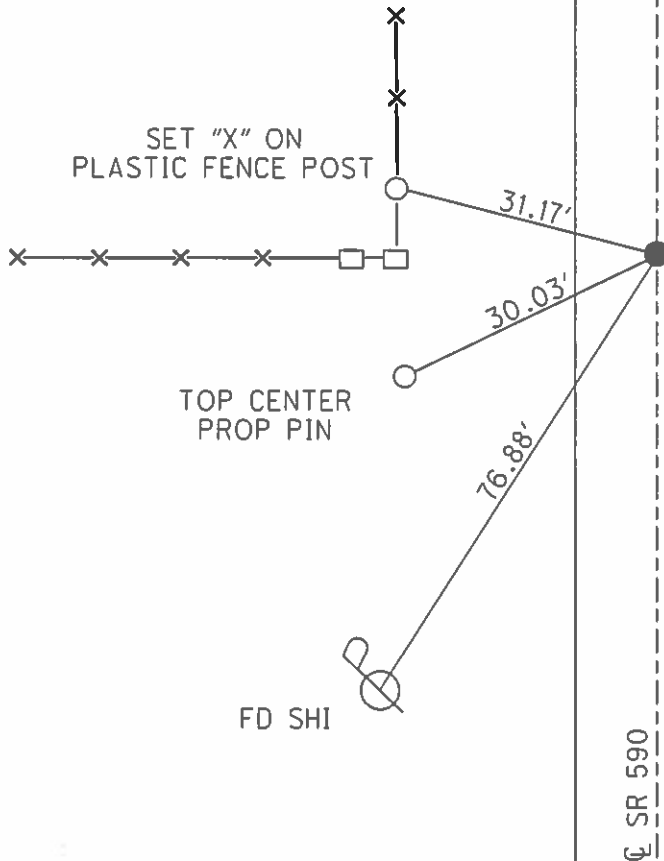
PERSONNEL _____ REFERENCE NO. 6 A SHEET 9 OF 33
 NOTES CANTERBURY DATE 07/21/10 ROUTE SR 590
 H.C. HUSS WEATHER FAIR COUNTY SANDUSKY
 R.C. HARBAUGH TEMP. +86° TOWNSHIP JACKSON
 _____ SECTION 22
 _____ T 4 N R 14 E

TYPE MONUMENT _____ PK/WASHER _____
 ON SURFACE - ~~BELOW~~ _____ ON _____
 LEFT - ~~C PAV'T~~ - ~~RIGHT~~ _____ 3.1' _____
7.3' TO W EDGE PAVEMENT
 S.L.M. _____ 147+34 _____



GRID: NORTHING: 593508.016 EASTING: 1766353.829

RECORD:
 FD PK/WASHER 1.5" DOWN 05/04/82
 SET PK/WASHER 06/29/93 RCC
 SET MAG/WASHER 10/19/10 MRC



O.D.O.T. DISTRICT 2 SURVEY OFFICE

PERSONNEL

REFERENCE NO. G-A

SHEET 7 OF 18

NOTES CHENEY

H.C. RIPPLE

R.C. BARBOUR

GEYMAN

DATE 5-24-1993

WEATHER CLOUDY

TEMP. 65°

ROUTE #590

COUNTY SANDUSKY

TOWNSHIP JACKSON

SECTION 22

T4N R14E

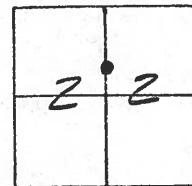
TYPE MONUMENT PK/WASHER

ON SURFACE - ~~BELW~~ ON

LEFT-C PAV'T. - ~~1.5'~~ 2.5'

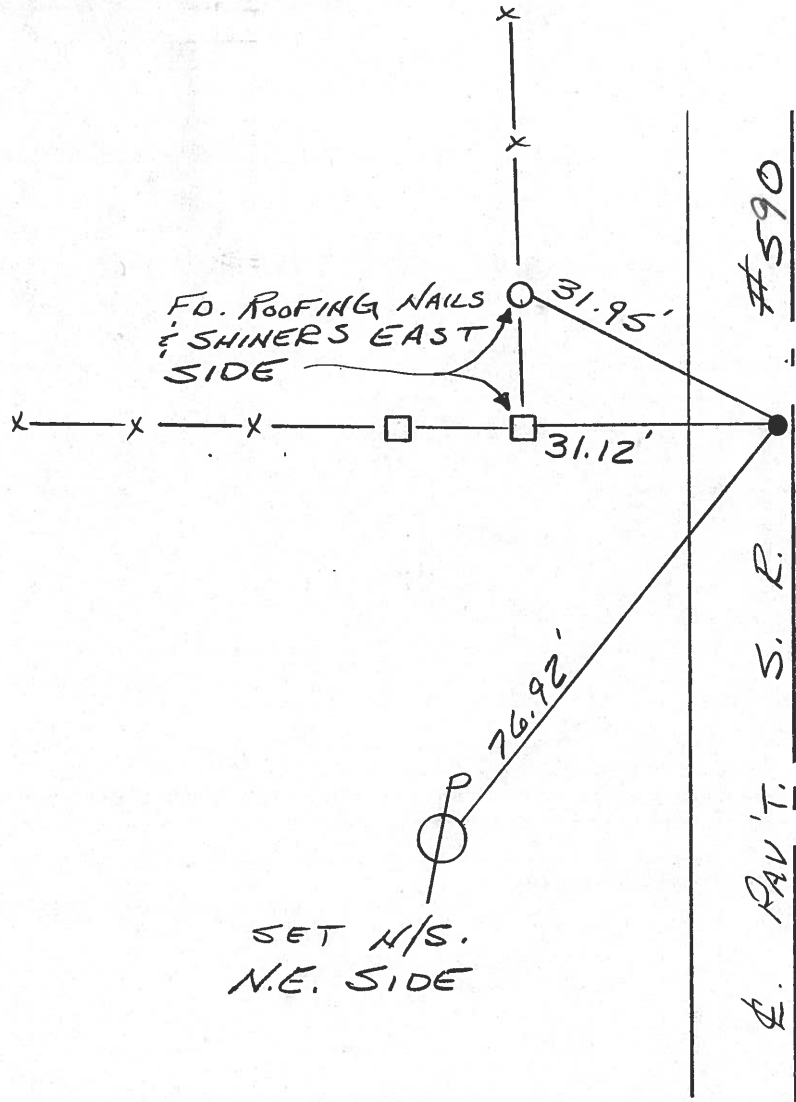
8' TO W. EDGE PAVEMENT

S.L.M. 147+34



RECORD: 5-4-1982
 STA. 147+82
 FO. PK/WASHER 1.5" DOWN

SET PK/WASHER
 6-29-1993
 RCC



ODOT. DISTRICT 2 SURVEY OFFICE

SHEET _____ OF _____

County Sandusky S.R. 590

Township Jackson

Section 22

T4N, R4E

Personnel Hoffman

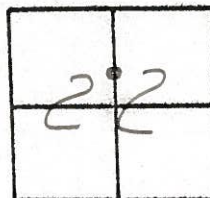
F

6-A Crew

Date 5-4-82

Weather Clear

Temp. +80°



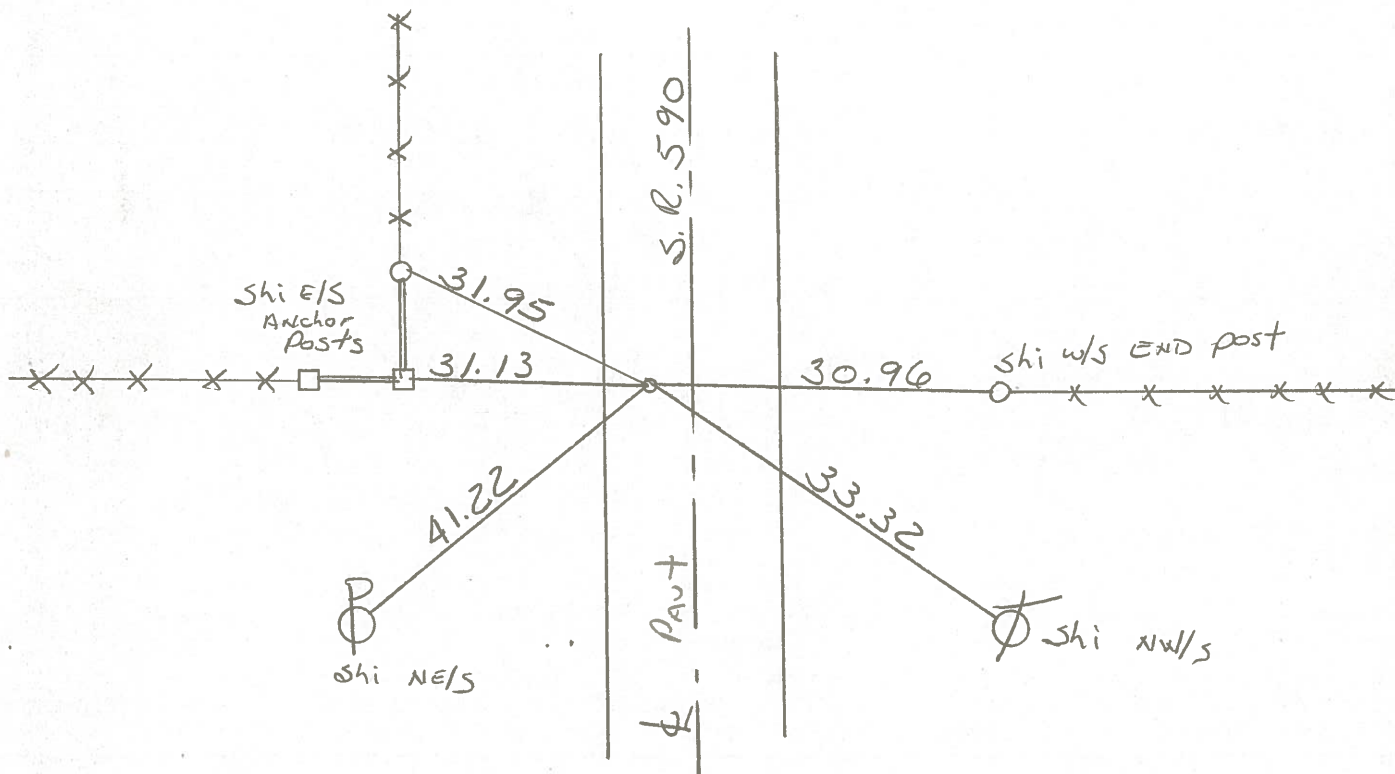
Fd. P.K. / Washer 1/2" below surface

S.L.M. Sta ± 147 + 82

2.9' Lt. of & PAUT

7.8' TO W. EP.

12.0' TO E. EP.

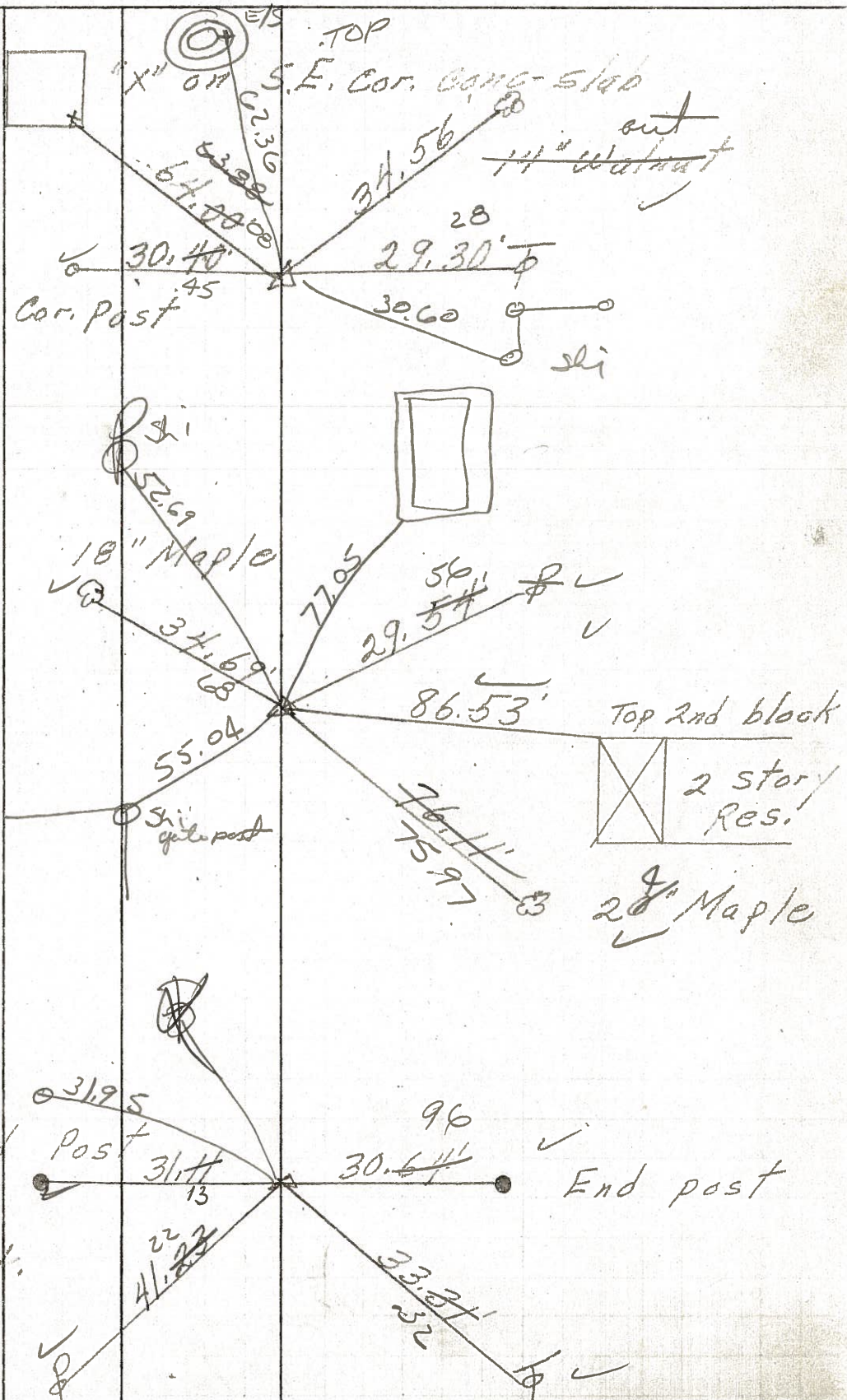


PERSONNEL TITLE PERSONNEL TITLE COUNTY Sandusky DATE 7-29-71
 S. R. 590 WEATHER Fair
 SEC. 27 & 22 TEMP. 75°
 DESCRIPTION Seneca, Co. Line North JOB NO.

✓ 160+29
 on ~~10.0e~~
 (6-C) 10.0e ep
 10.0w up
 P.I.
 159+67.25
 R.R. spk. on E
 R/W 2" down
 N 1/4 sec 422

✓ (6-B) 183+76
 P.I.
 153+17.95
 3" small R.R. spk.
 1 1/2" down
 3.8 L to block
 6.7 W up
 13.3 E up

✓ (6-A) 147+82
 2.9w up
 7.8 w ep
 12.0 E ep
 P.I.
 147+25.5
 P.K. Nail
 on top R.R. spk.
 Rd pk/w 1 1/2 down

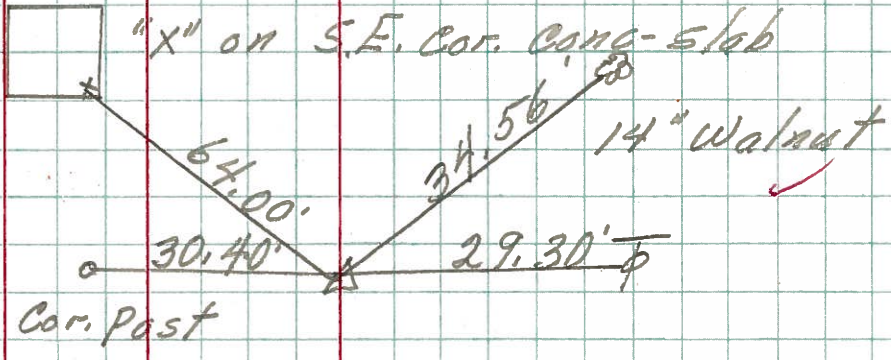


PERSONNEL	TITLE	PERSONNEL	TITLE	COUNTY	DATE
				Sandusky	7-29-71
				S. R. 590	WEATHER Fair
				SEC. 27 & 22	TEMP. 75°
DESCRIPTION Seneca Co. Line North				JOB NO.	

LEFT CENTER LINE RIGHT

6-C

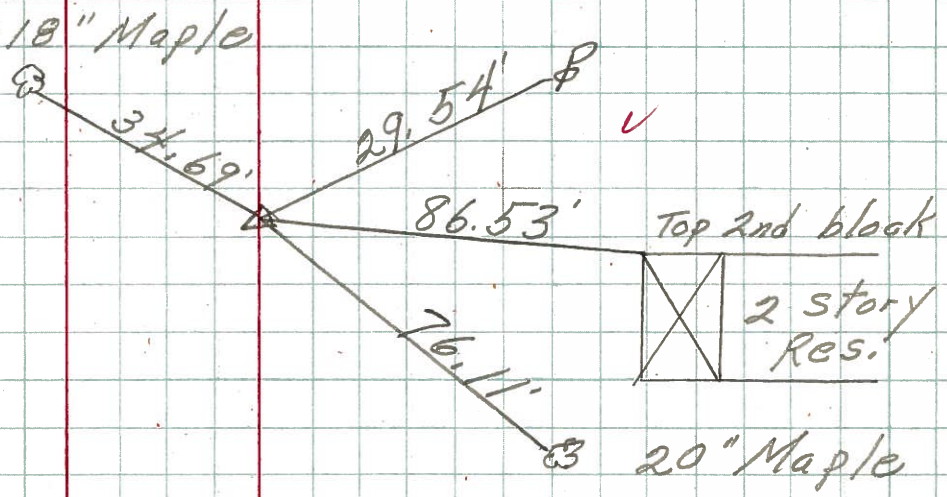
P.I.
159+67.25
R.R. spk. on E
R/W 2" down
N 1/4 sec 22



10

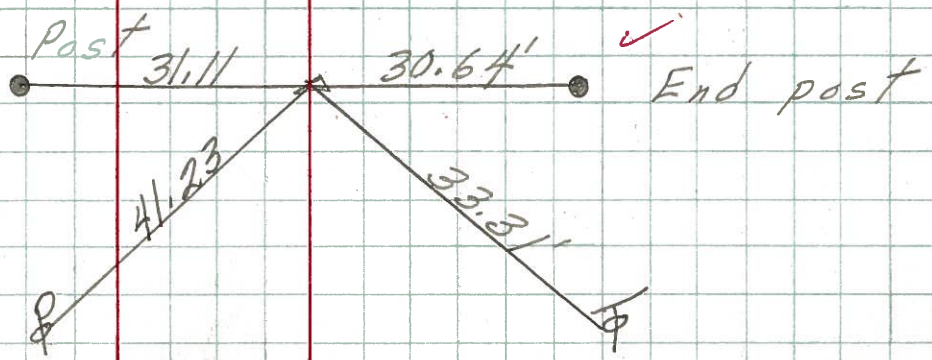
6-B

P.I.
153+17.95
small R.R. spk.



6-A

P.I.
147+25.5
P.K. Nail
on Top, R.R. spk.



PERSONNEL TITLE PERSONNEL TITLE COUNTY Sand sky DATE 4 3
 Mosser _____ S. R. 590 WEATHER ud
 Barbour _____ SEC. Sen. Co. Line North TEMP. _____
 Redding _____ DESCRIPTION Ties for Control Points JOB NO. _____

