

O.D.O.T. DISTRICT 2 SURVEY OFFICE (USE ONLY)

PERSONNEL

REFERENCE NO. 6 D

SHEET 12 OF 33

NOTES TRENKA

DATE 6-11-18

ROUTE SR 590

H.C. RHOADES

WEATHER CLOUDY

COUNTY SANDUSKY

R.C. TRENKA

TEMP. 68°

TOWNSHIP JACKSON

SECTION 15

DWG BY AUBLE

PID 95765

T 4 N R 14 E

TYPE MONUMENT MAG/WASHER

ON SURFACE - ~~BELOW~~ ON

OFFSET Q PAVEMENT 2' LT : ~~RT~~

8' TO LT EDGE PAVEMENT

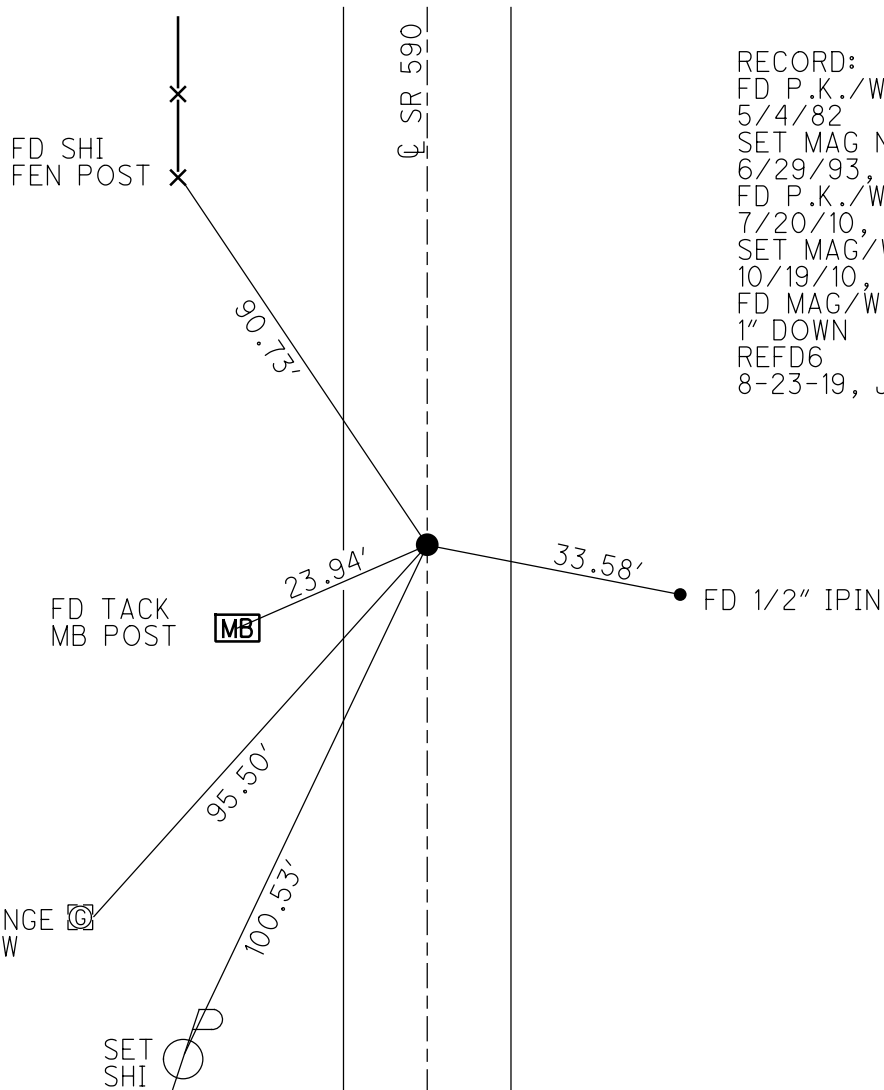
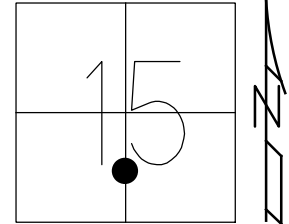
STATION: 174+76

HORIZ.DATUM: NAD83(2011)

GEOID: 2012A

GRID: NORTHING: 596246.507

EASTING: 1766512.385



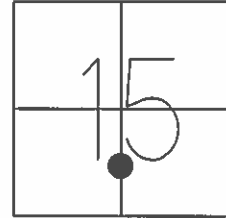
RECORD:  
 FD P.K./WASHER  
 5/4/82  
 SET MAG NAIL  
 6/29/93, RCC  
 FD P.K./WASHER  
 7/20/10, MC  
 SET MAG/WASHER  
 10/19/10, MRC  
 FD MAG/WASHER  
 1" DOWN  
 REFD6  
 8-23-19, JFO

BOTTOM OF FLANGE C  
 TOP OF E/ELBOW  
 OF GAS METER

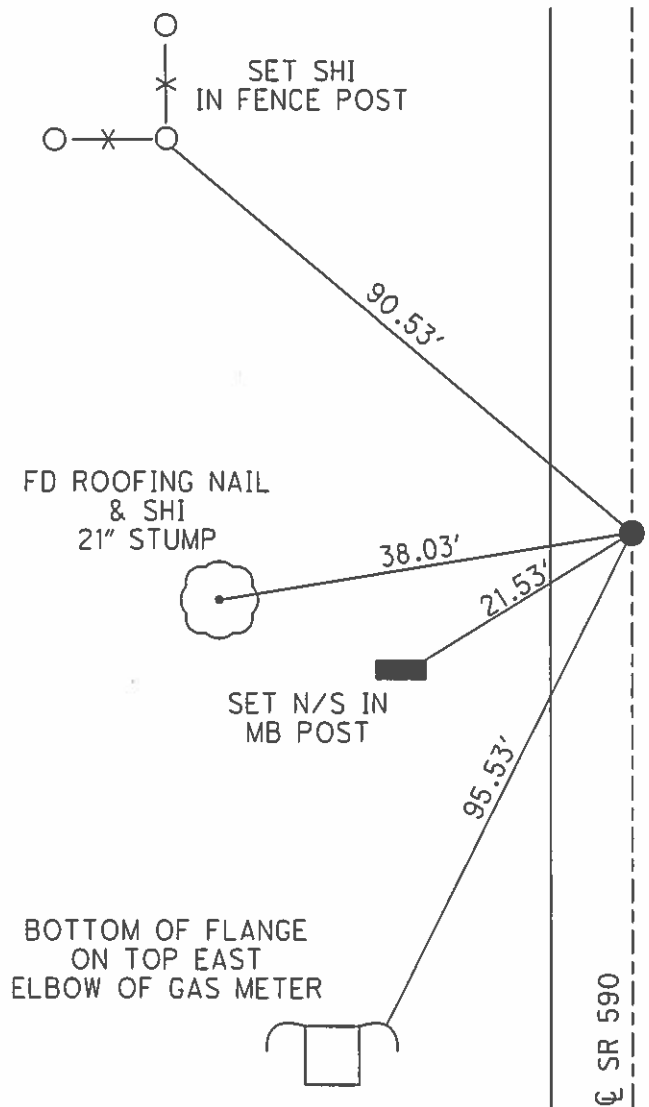
O.D.O.T. DISTRICT 2 SURVEY OFFICE (USE ONLY)

PERSONNEL \_\_\_\_\_ REFERENCE NO. 6 D SHEET 12 OF 33  
 NOTES HUSS DATE 07/20/10 ROUTE SR 590  
 H.C. FINTEL WEATHER FAIR COUNTY SANDUSKY  
 R.C. CANTERBURY TEMP. +86° TOWNSHIP JACKSON  
 \_\_\_\_\_ SECTION 15  
 \_\_\_\_\_ T 4 N R 14 E

TYPE MONUMENT \_\_\_\_\_ PK/WASHER \_\_\_\_\_  
 ON SURFACE - ~~BELOW~~ \_\_\_\_\_ ON \_\_\_\_\_  
 LEFT - ~~C~~ PAV'T - ~~RIGHT~~ \_\_\_\_\_ 2.5' \_\_\_\_\_  
8.0' TO LT EDGE PAVEMENT  
 S.L.M. \_\_\_\_\_ 174+76 \_\_\_\_\_



GRID: NORTHING: 596246.584 EASTING: 1766512.300



RECORD:  
 FD PK/WASHER AT SURF 05/04/82  
 SET MAG 06/29/93 RCC  
 SET MAG/WASHER 10/19/10 MRC

O.D.O.T. DISTRICT 2 SURVEY OFFICE

PERSONNEL

REFERENCE NO. 6-D

SHEET 10 OF 18

NOTES CHENEY

H.C. RIPPLE

R.C. BARBOUR

GEYMAN

DATE 5-24-1993

WEATHER Cloudy

TEMP. 65°

ROUTE #590

COUNTY SANDUSKY

TOWNSHIP JACKSON

SECTION 15

T4 N R 14 E

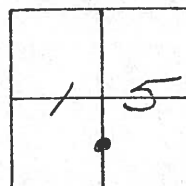
TYPE MONUMENT PK/WASHER

ON SURFACE - ~~BELOW~~ ON

LEFT- & PAV'T. - ~~RIGHT~~ 2'

8' TO LT. EDGE PAVEMENT

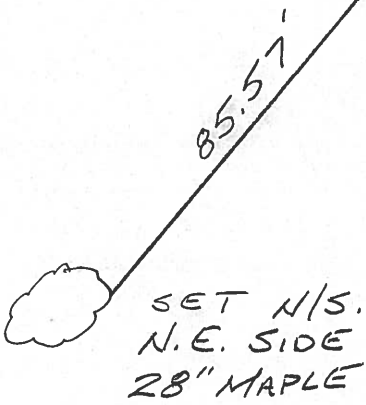
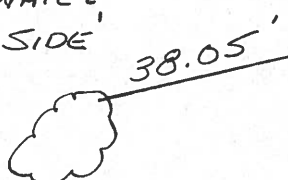
S.L.M. 174+76



RECORD: 5-4-1982  
 STA. 175+37  
 FO. PK/WASHER @ SURFACE

SET PK/WASHER  
 6-29-1993  
 RCC

FD. ROOFING NAIL &  
 SHINER N.E. SIDE  
 21" MAPLE



#590  
 S. R.  
 E. PAV'T.

35.95'

SET N/S.  
 N.W. SIDE  
 COR. POST



Q.D.O.T. DISTRICT 2 SURVEY OFFICE

SHEET \_\_\_\_\_ OF \_\_\_\_\_

County SANDUSKY S.R. 590

Township Jackson

Section 15

T4N, R14E

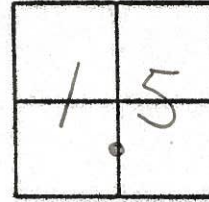
Personnel Hoffman

Crew

Date 5-4-82

Weather clear

Temp. +80°



# 6-D

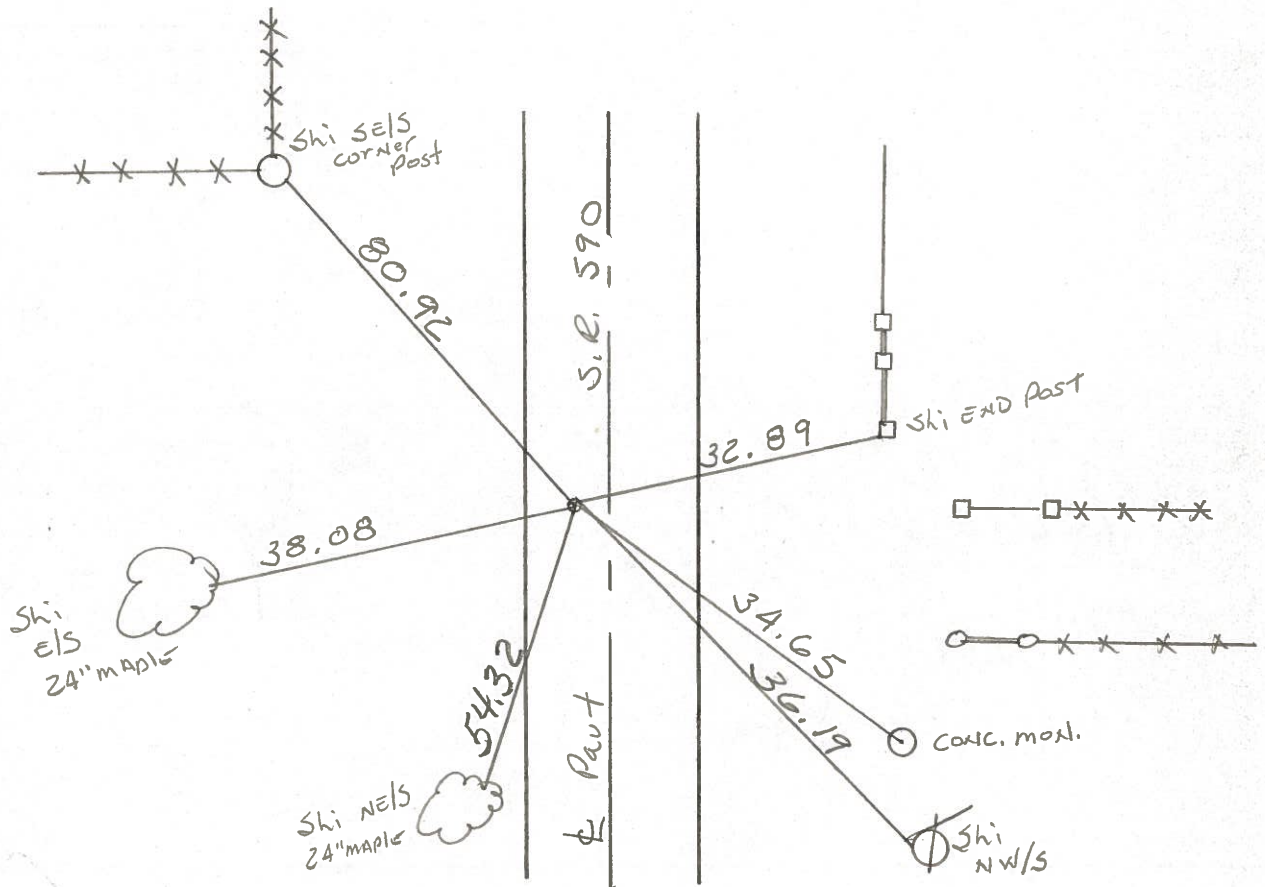
Fd. P.K./Washer @ surface

SLM stat ± 175+37

2.6' Lt. of & Pavt

7.7' TO W. EP.

12.1' TO E. EP.



PERSONNEL TITLE PERSONNEL TITLE

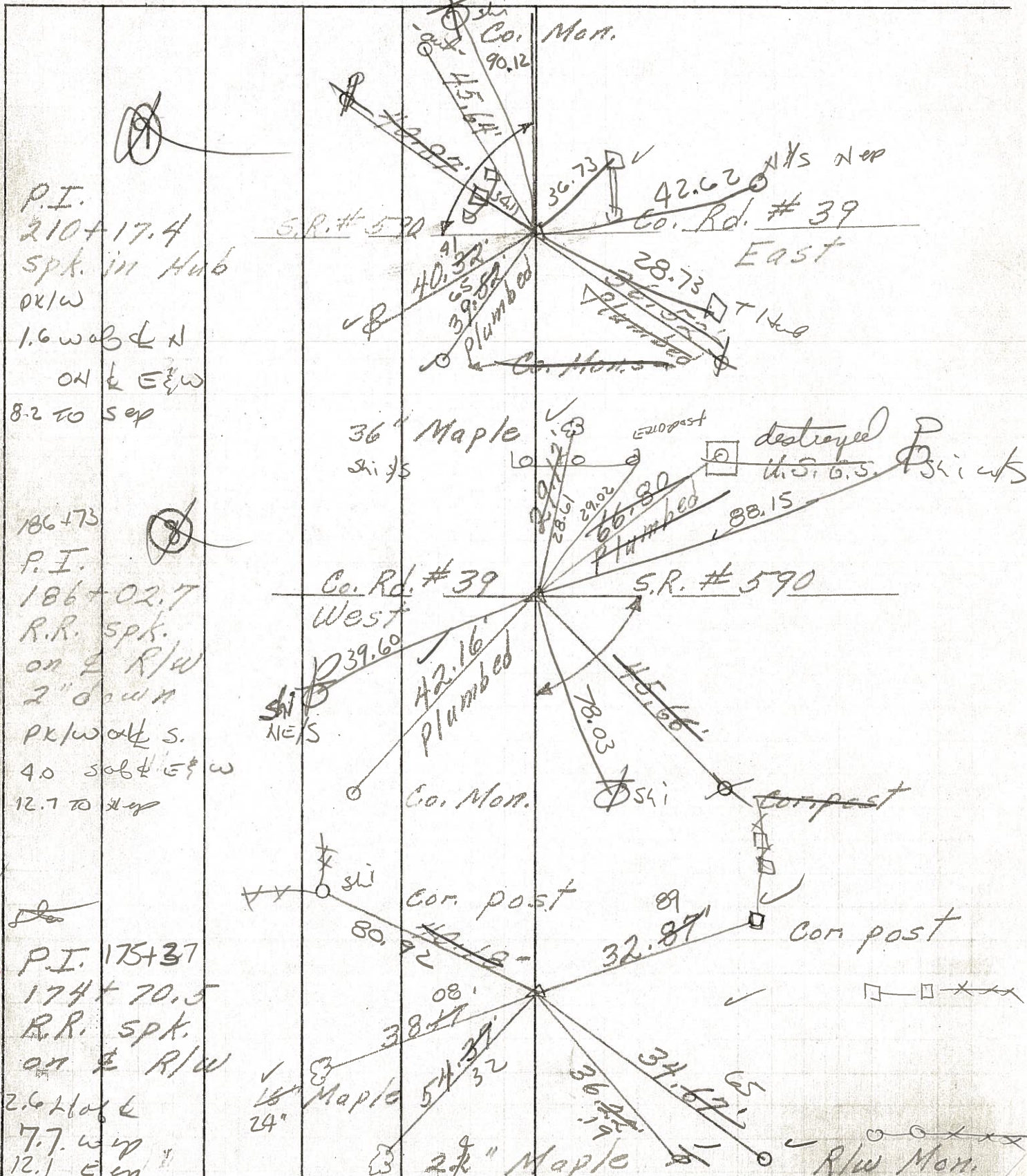
COUNTY sandusky DATE 7-30-71

S. R. 590 WEATHER Rain

SEC. 15 E 14 TEMP. 70°

DESCRIPTION Seneca, Co. Line North JOB NO.

LEFT CENTER LINE RIGHT



9

P.I.  
 210+17.4  
 spk. in Hub  
 PK/W  
 1.6 w ab & N  
 ON & E&W  
 8.2 to sep

8

P.I.  
 186+02.7  
 R.R. spk.  
 on E R/W  
 2" down  
 PK/W with S.  
 4.0 sub & E&W  
 12.7 to stop

6-D

P.I. 175+37  
 174+70.5  
 R.R. spk.  
 on E R/W  
 2.6 to ab &  
 7.7 w up  
 12.1 E on

PERSONNEL TITLE PERSONNEL TITLE

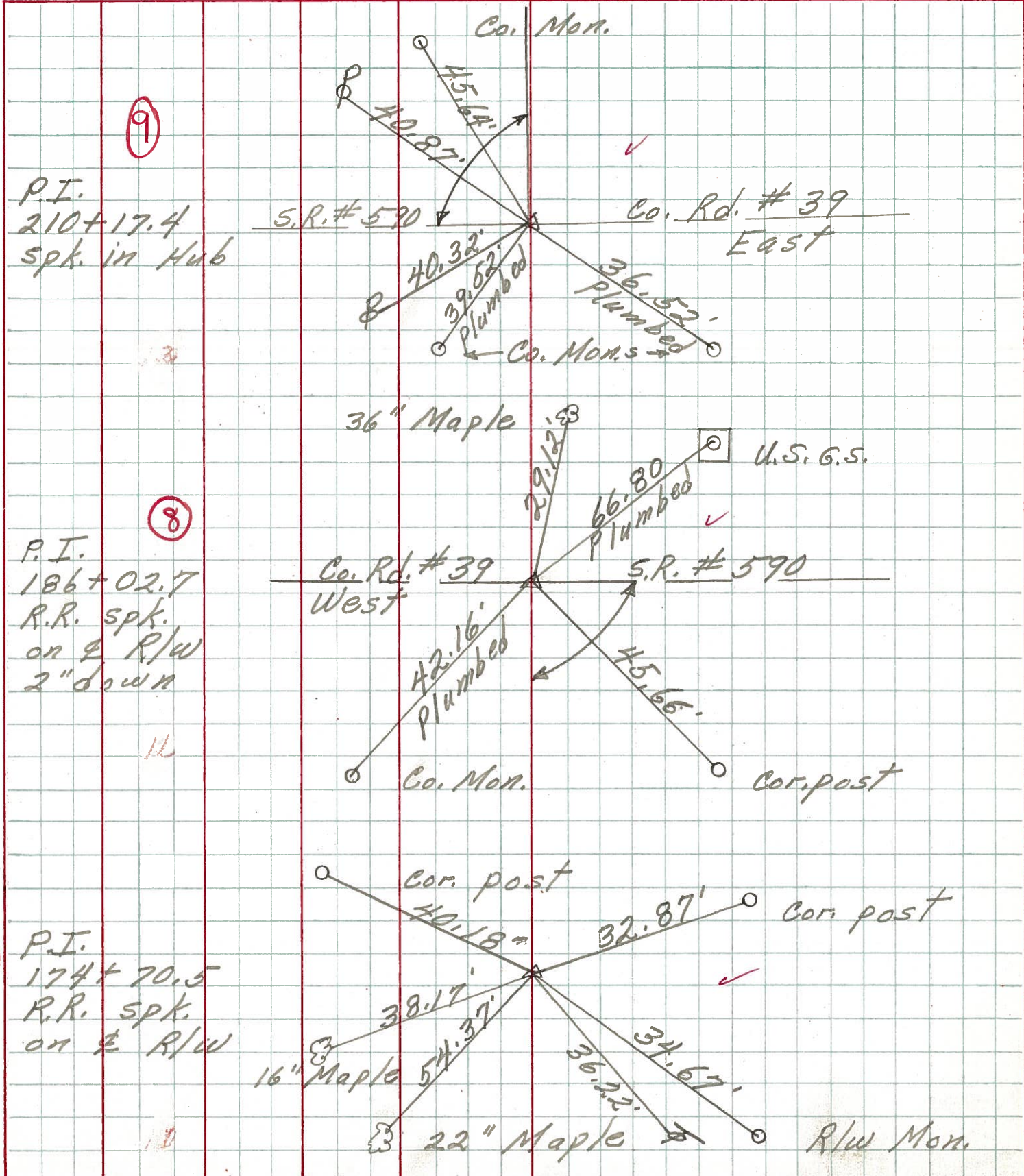
COUNTY Sandusky DATE 7-30-71

S. R. 590 WEATHER Rain

SEC. 15 E 14 TEMP. 70°

DESCRIPTION Seneca, Co. Line North JOB NO.

LEFT CENTER LINE RIGHT



PERSONNEL	TITLE	PERSONNEL	TITLE	COUNTY	DATE
Schneider		Potts		Sandusky	4-3-68
Mosser				S. R.	590
Barbour				WEATHER	Cloudy
Redding				SEC.	Sen. Co. Line North
DESCRIPTION				TEMP.	50°
Ties for Control Points				JOB NO.	
LEFT		CENTER LINE		RIGHT	

