

O.D.O.T. DISTRICT 2 SURVEY OFFICE (USE ONLY)

PERSONNEL

REFERENCE NO. 13

SHEET 21 OF 33

NOTES RHOADES DATE 2/27/18

ROUTE SR 590

H.C. O'DONNELL WEATHER SUNNY

COUNTY SANDUSKY

R.C. SEAMAN TEMP. 42°

TOWNSHIP JACKSON

DWG BY MILLER PID 101240

SECTION 3

T 4 N R 14 E

TYPE MONUMENT MAG/WASHER

ON SURFACE - ~~BELOW~~ ON

OFFSET ☉ PAVEMENT 0.5' LT : ~~RT~~

9.8' TO LT EDGE PAVEMENT

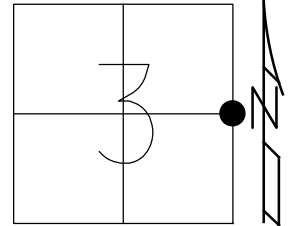
STATION: 316+34

HORZ. DATUM: NAD83-2011

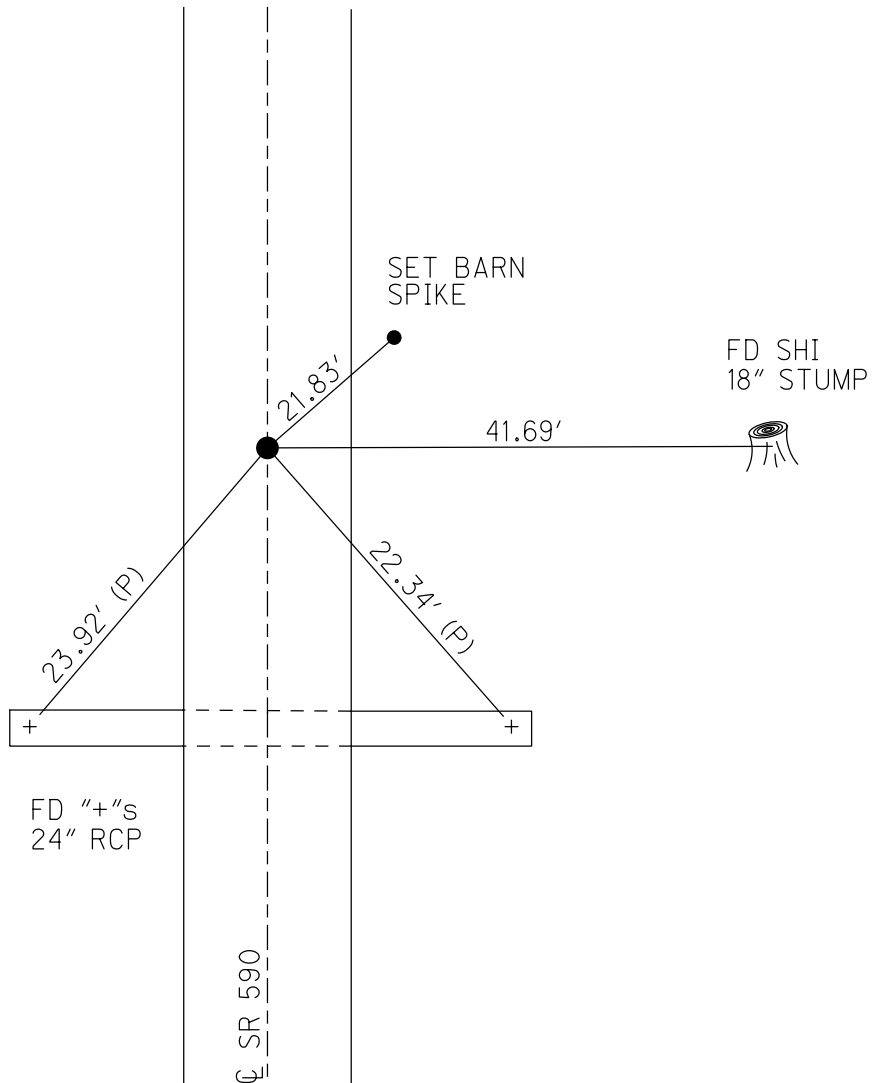
GEOID: NAVD88-2012A

GRID: NORTHING: 607998.665

EASTING: 1769428.592



- RECORD:
 FD R.R.SPIKE
 0.3' DOWN
 5-05-82
 SET P.K./WASHER
 6-29-93, RCC
 FD P.K./WASHER
 7/19/10, MC
 SET MAG/WASHER
 10-20-10, MRC
 FD MAG/WASHER
 REF13
 2-27-18, 4-23-18
 FD MAG/WASHER
 1" DOWN
 10-4-18, JFO
 FD MAG/WASHER
 1" DOWN
 8/21/19, JFO



O.D.O.T. DISTRICT 2 SURVEY OFFICE (USE ONLY)

PERSONNEL

REFERENCE NO. 13

SHEET 21 OF 33

NOTES RHOADES DATE 2/27/18

ROUTE SR 590

H.C. O'DONNELL WEATHER SUNNY

COUNTY SANDUSKY

R.C. SEAMAN TEMP. 42°

TOWNSHIP JACKSON

SECTION 3

DWG BY MILLER PID 101240

T 4 N R 14 E

TYPE MONUMENT MAG/WASHER

ON SURFACE - ~~BELOW~~ ON

OFFSET \bar{C} PAVEMENT 0.5' LT : ~~RT~~

9.8' TO LT EDGE PAVEMENT

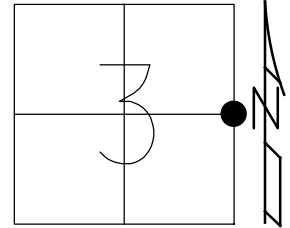
STATION: 316+34

HORIZ.DATUM: NAD83-2011

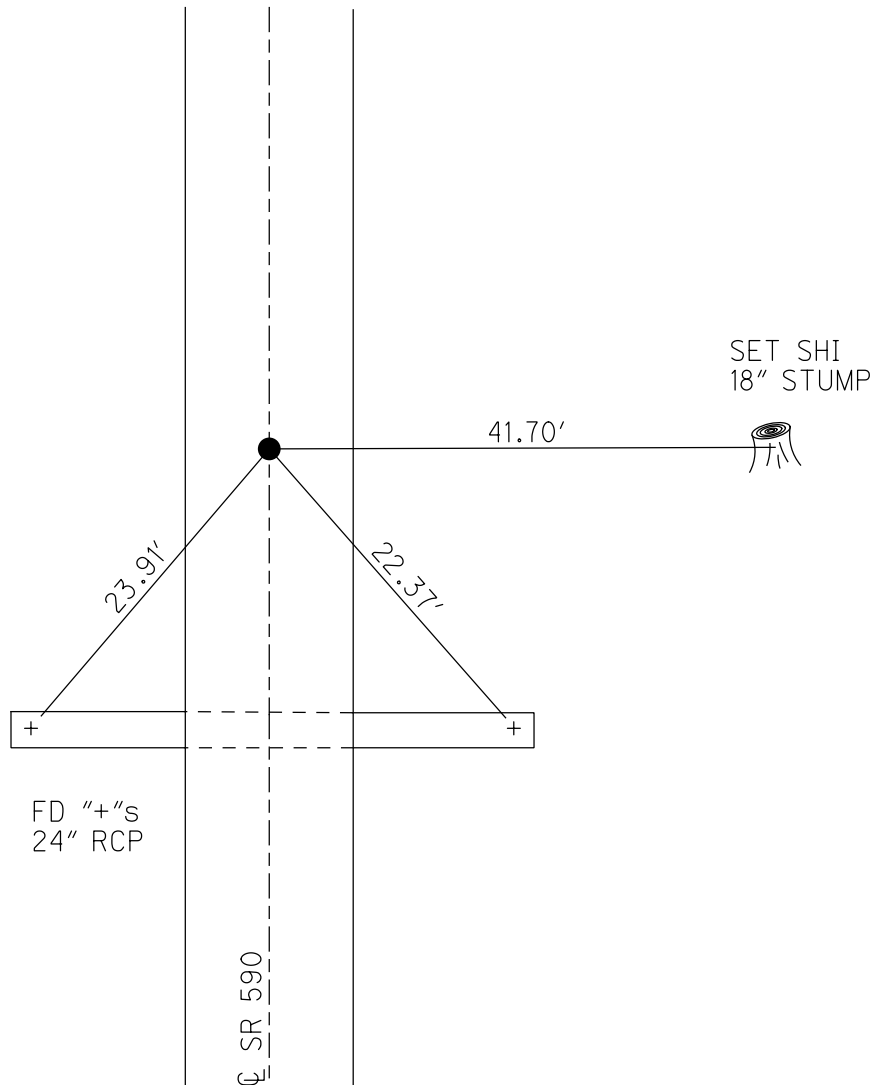
GEOID: NAVD88-2012A

GRID: NORTHING: 607998.665

EASTING: 1769428.592



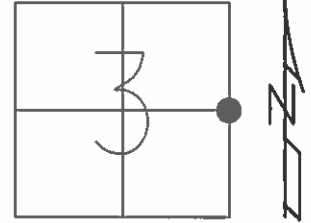
- RECORD:
 FD R.R.SPIKE
 0.3' DOWN
 5-05-82
 SET P.K./WASHER
 6-29-93, RCC
 FD P.K./WASHER
 7/19/10, MC
 SET MAG/WASHER
 10-20-10, MRC
 FD MAG/WASHER
 REF13
 2-27-18, 4-23-18
 FD MAG/WASHER
 1" DOWN
 10-4-18, JFO



O.D.O.T. DISTRICT 2 SURVEY OFFICE (USE ONLY)

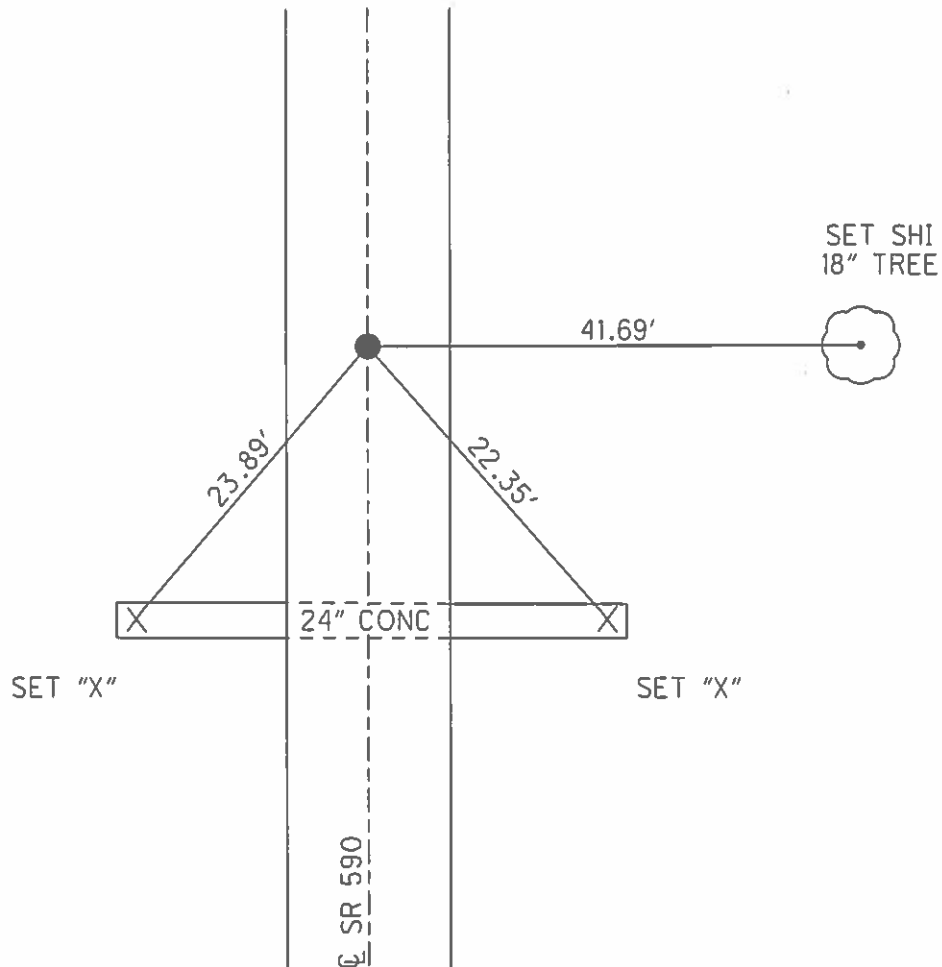
PERSONNEL _____ REFERENCE NO. 13 SHEET 21 OF 33
 NOTES HUSS DATE 07/19/10 ROUTE SR 590
 H.C. FINTEL WEATHER FAIR COUNTY SANDUSKY
 R.C. CANTERBURY TEMP. +84° TOWNSHIP JACKSON
 _____ SECTION 3
 _____ T 4 N R 14 E

TYPE MONUMENT _____ PK/WASHER _____
 ON SURFACE - ~~BELOW~~ _____ ON _____
 LEFT - ~~C PAV'T~~ - RIGHT _____ 0.2'
9.8' TO LT EDGE PAVEMENT
 S.L.M. _____ 316+34



GRID: NORTHING: 607998.712 EASTING: 1769428.511

RECORD:
 FD RR SPK 0.3' DOWN 05/05/82
 SET PK/WASHER 06/29/93 RCC
 SET MAG/WASHER 10/20/10 MRC



O.D.O.T. DISTRICT 2 SURVEY OFFICE

PERSONNEL

REFERENCE NO. 13

SHEET 17 OF 18

NOTES CHENEY

H.C. RIPPLE

DATE 5-24-1993

ROUTE #590

R.C. BARBOUR

WEATHER CLOUDY

COUNTY SANDUSKY

GEYMAN

TEMP. 65°

TOWNSHIP JACKSON

SECTION 3

T4N R14E

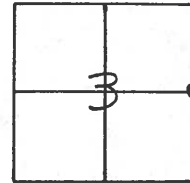
TYPE MONUMENT PK/WASHER

ON SURFACE - ~~BELOW~~ ON

~~LEFT - & PAV'T. - RIGHT~~ ON

10.5 TO LT. EDGE PAVEMENT

S.L.M. 316+34

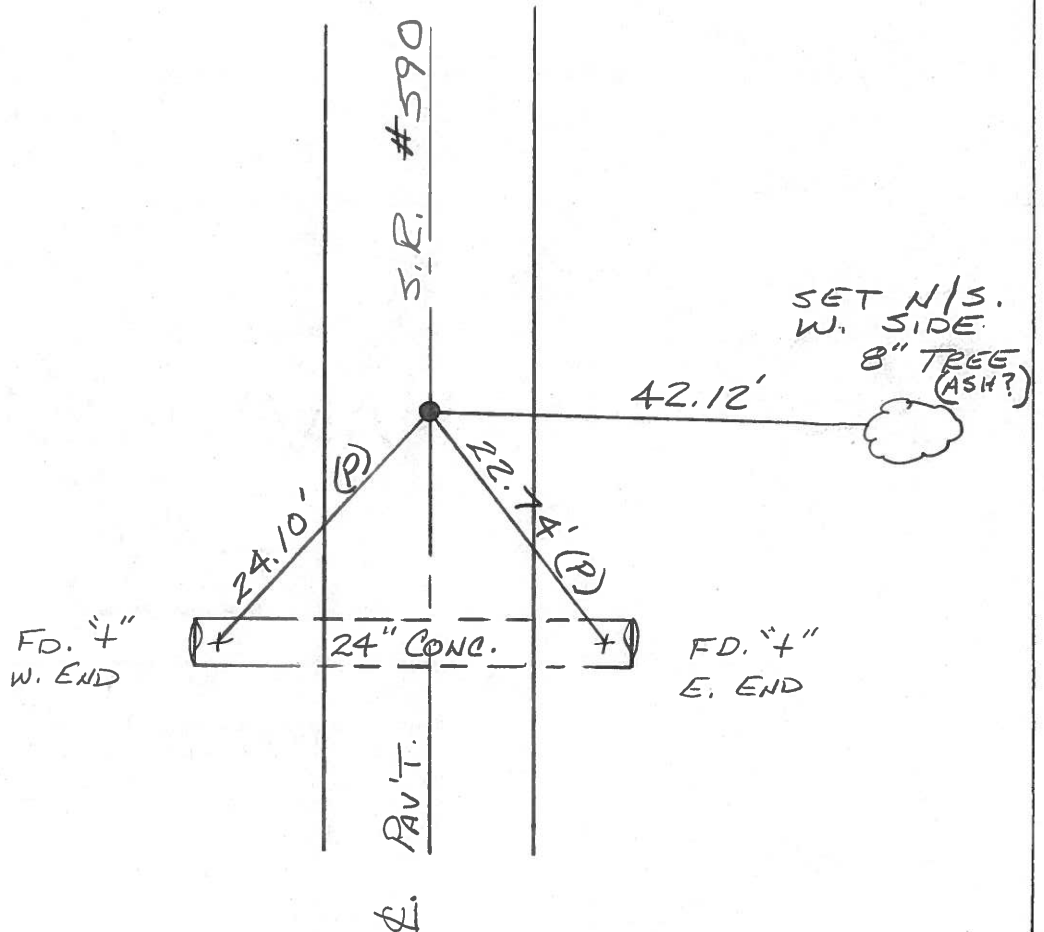


RECORD: 5-5-1982

STA. 317+30

Fd. R.R. SPK. 0.3' DOWN

SET PK/WASHER
6-29-1993
RCC



County SANDUSKY S.R. 590

Date 5-5-82

Township Jackson

Weather cloudy

Section 3

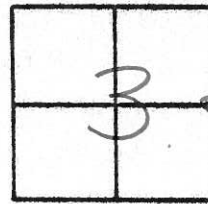
Temp. +80°

T4N, R4E

Personnel HOFFMAN

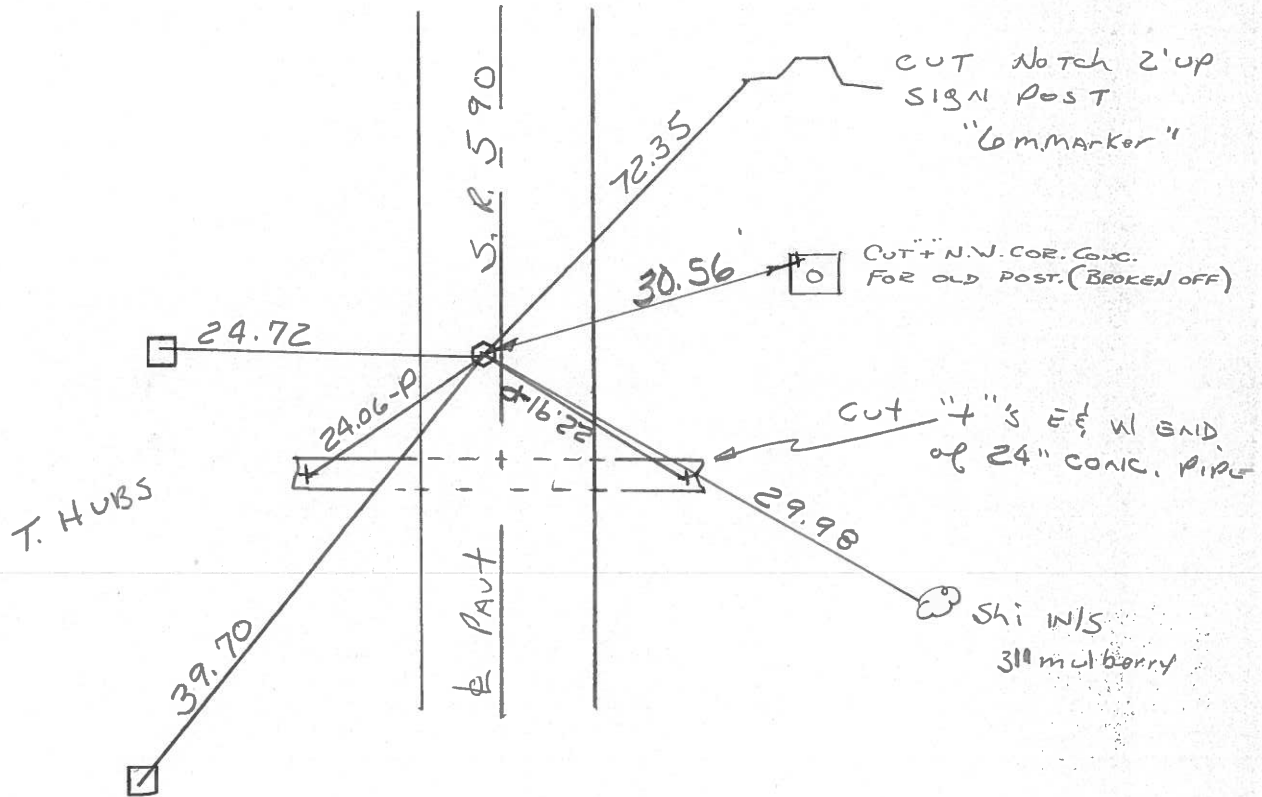
13

F
Crew

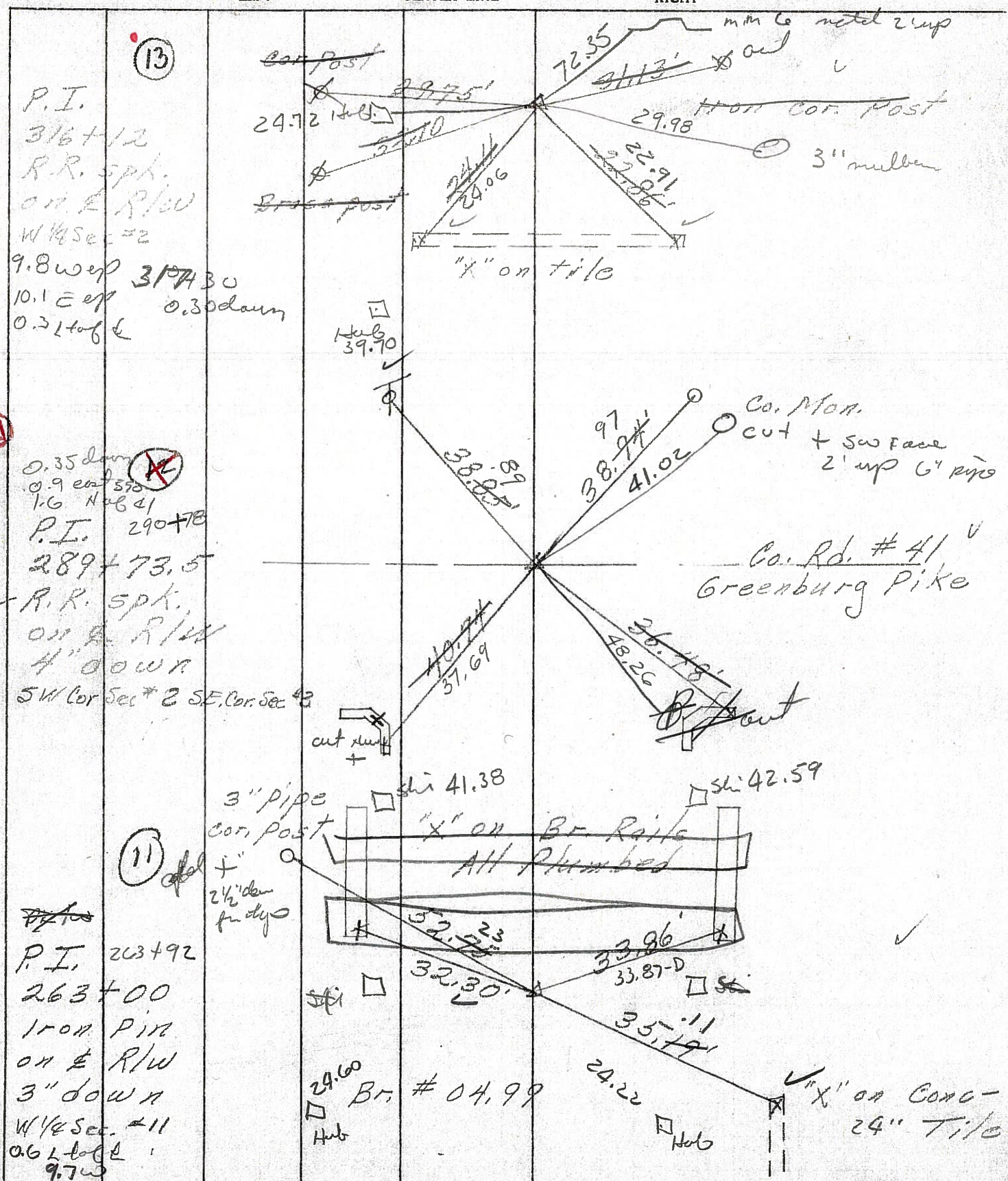


Fd R.R. SPK 0.30' below surface
0.3' Lt. of & PAUT SR 590
9.8' TO W. EP.
10.1' TO E. EP.

SLM sta ± 317 +30



PERSONNEL	TITLE	PERSONNEL	TITLE	COUNTY	DATE	S. R.	WEATHER	SEC.	TEMP.	DESCRIPTION	JOB NO.
				Sandusky	7-30-71	*590	Rain	JACKSON TWP. 15914-10511	72°	Seneca Co. Line North	



Fd

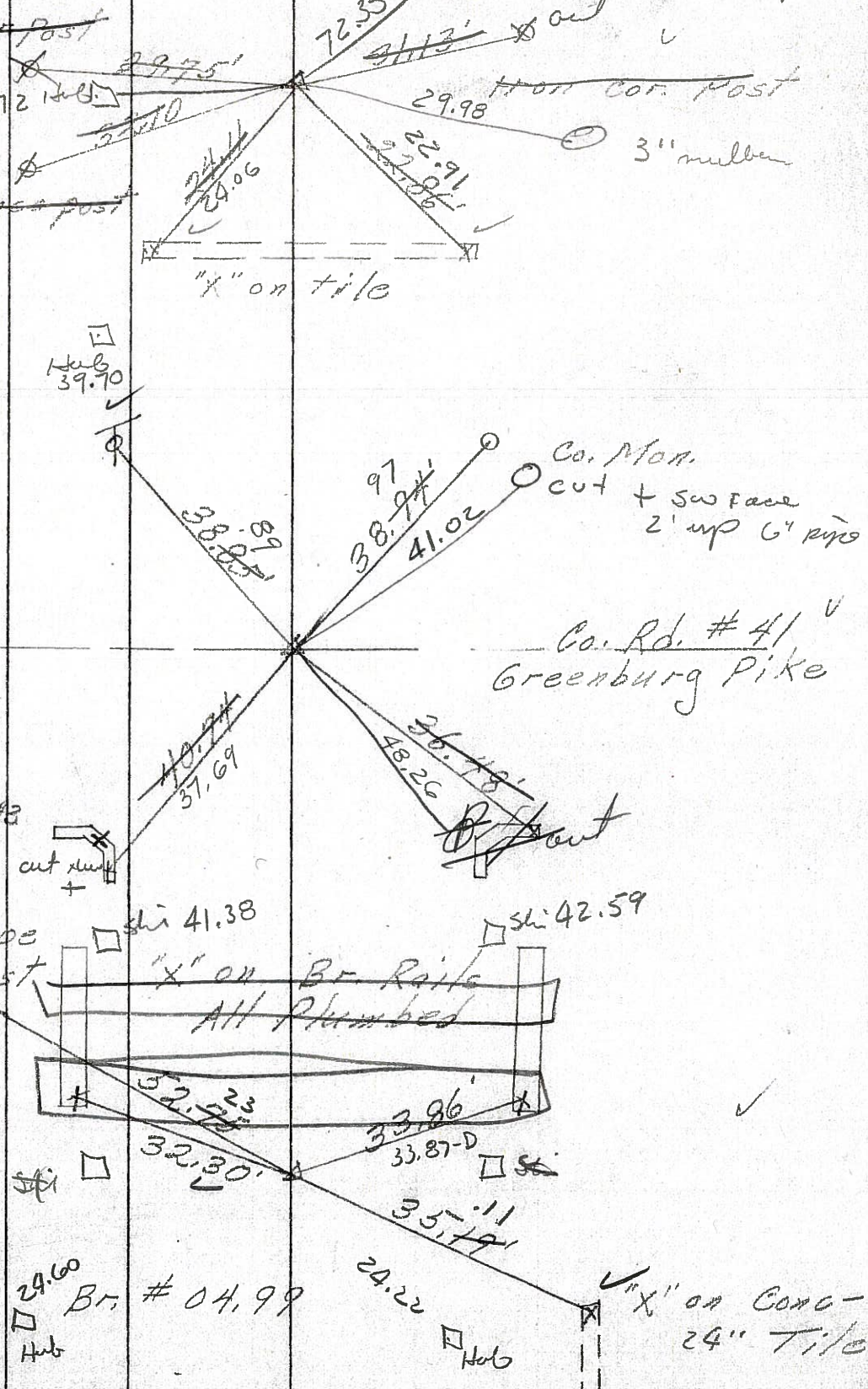
12-A

Fd

P.I. 316+12
 R.R. spk.
 on E R/W
 W 1/4 Sec #2
 9.8 w of
 10.1 E of
 0.21 to of &
 317430
 0.30 down

0.35 down
 0.9 east 570
 1.6 N of 41
 P.I. 290+78
 289+73.5
 R.R. spk.
 on E R/W
 4" down
 SW cor Sec #2 SE cor Sec #3

P.I. 263+92
 263+00
 Iron Pin
 on E R/W
 3" down
 W 1/4 Sec #11
 0.6 L to of
 9.7 w

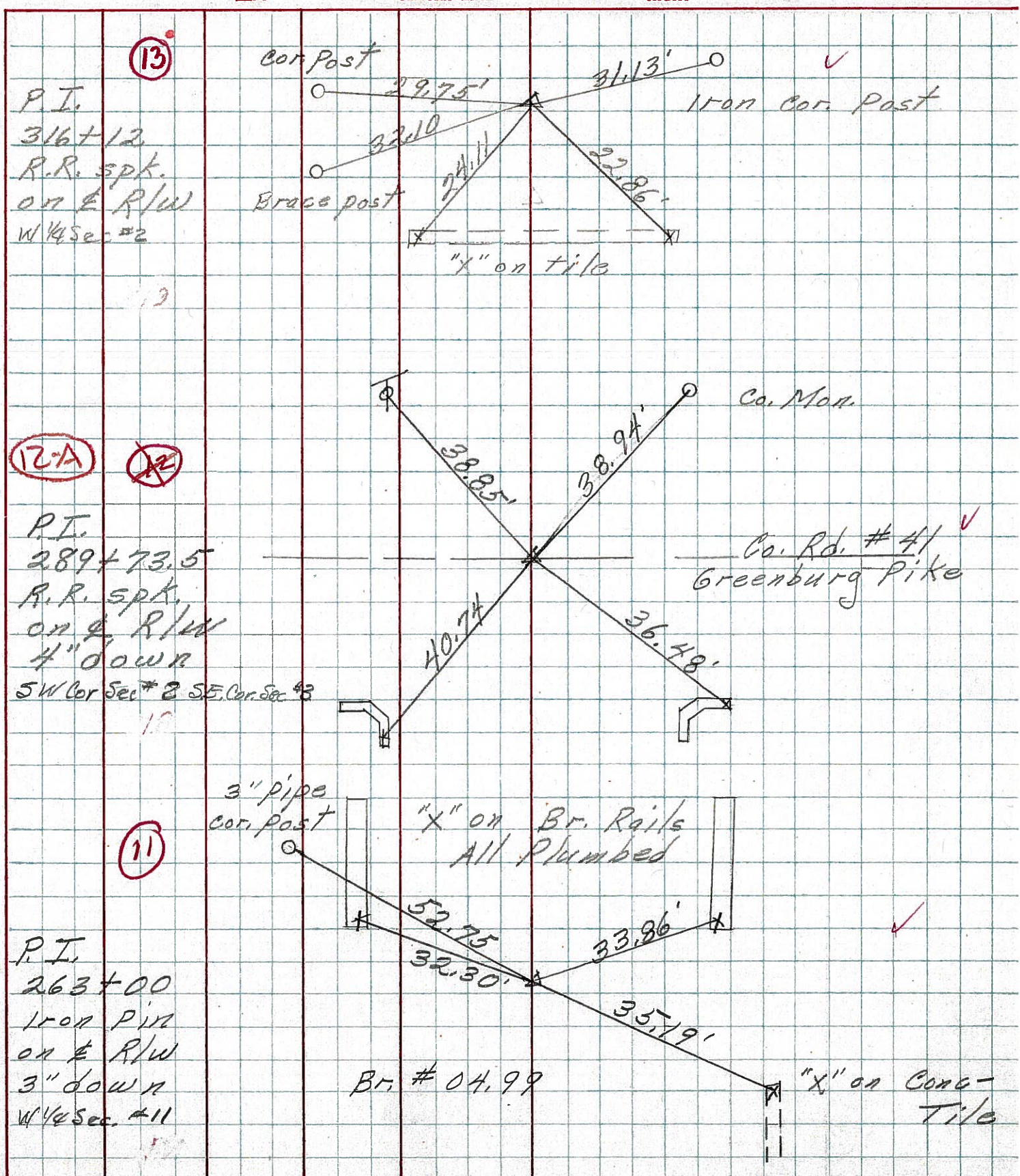


13

X

11

PERSONNEL	TITLE	PERSONNEL	TITLE
COUNTY <u>Sandusky</u>		DATE <u>7-30-71</u>	
S. R. <u>#590</u>		WEATHER <u>Rain</u>	
SEC. <u>15 & 14 - 10 & 11</u>		TEMP. <u>72°</u>	
DESCRIPTION <u>Seneca, Co. Line North</u>			JOB NO.



PERSONNEL TITLE PERSONNEL TITLE

Schneider Potts

COUNTY Sandusky DATE 4-3-68

Mosser

S. R. 590 WEATHER Cloudy

Barbour

SEC. Sen. Co. Line North TEMP. 50°

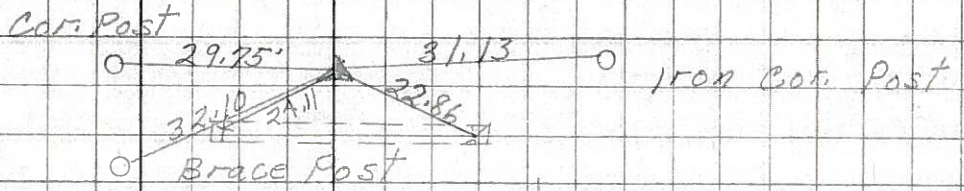
Redding

DESCRIPTION Ties for Control Points

JOB NO.

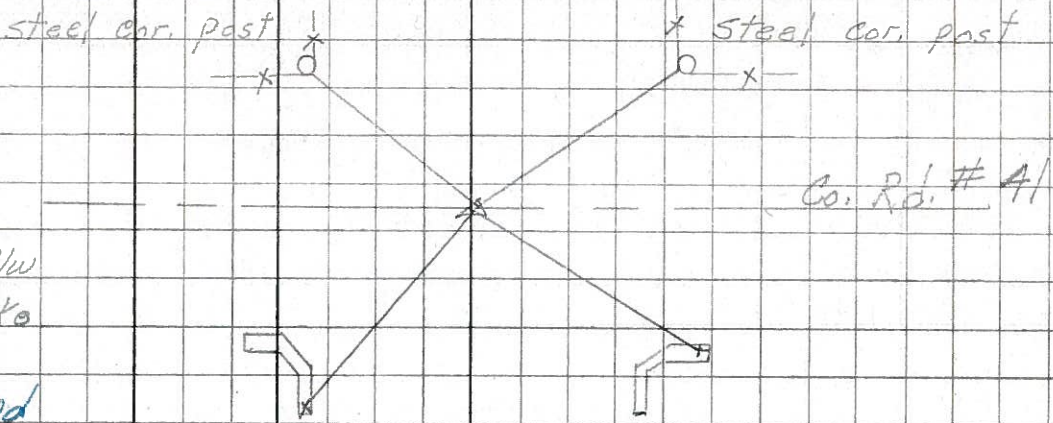
LEFT CENTER LINE RIGHT

P.I. 13
316+12
R.R. spk. on
E R/W



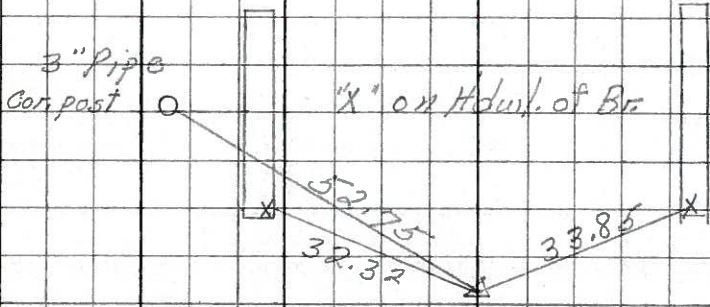
7549

P.I. 12A
289+73.5
R.R. spk. on E R/W
Greensburg Pike
Get C. Ties
did not find



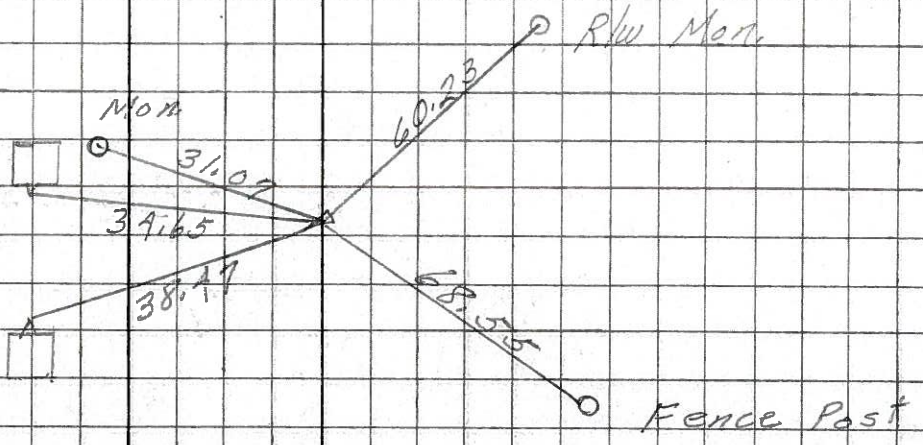
7548

P.I. 11
263+00
Iron Pin on
E R/W
3" down



7547

P.I. 10A
235+52.5
Iron Pin on
E R/W



7546