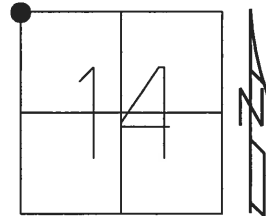


O.D.O.T. DISTRICT 2 SURVEY OFFICE (USE ONLY)

PERSONNEL _____ REFERENCE NO. 22 SHEET 4 OF 16

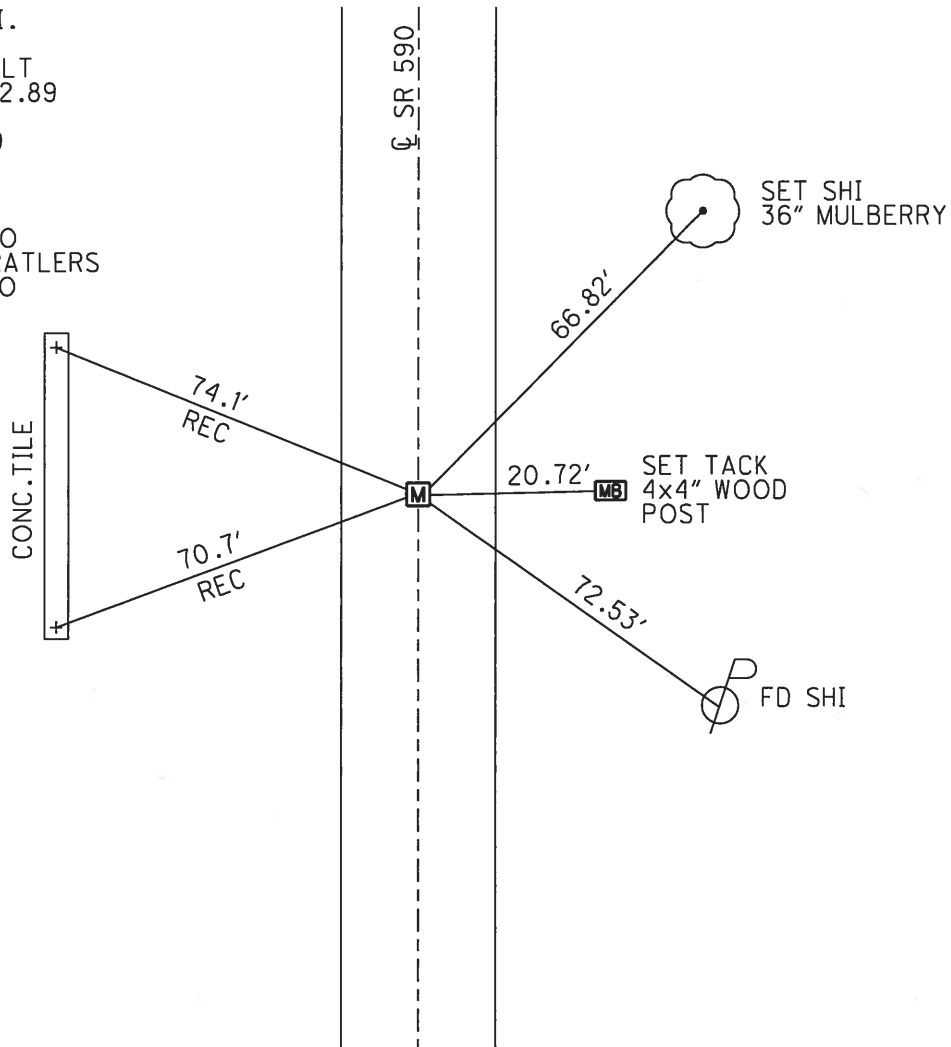
NOTES RHOADES DATE 2/28/18 ROUTE SR 590
 H.C. O'DONNELL WEATHER CLOUDY COUNTY SANDUSKY
 R.C. AUBLE TEMP. 49° TOWNSHIP WASHINGTON
 _____ SEAMAN _____ SECTION 14
 T 5 N R 14 E

TYPE MONUMENT MONBOX W/ 1" IPIN
 ON SURFACE - ~~BELOW~~ ON
 LEFT - ☉ PAV'T - RIGHT ON
12.2' TO LT EDGE PAVEMENT
 S.L.M. 558+93.81



GRID: NORTHING: 632148.503 EASTING: 1770539.121

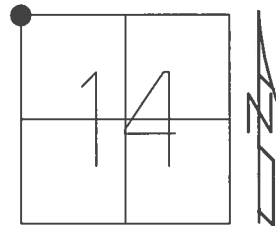
RECORD: P.I.
 1986
 $\Delta = 0^\circ 04' \text{ LT}$
 STA. 558+92.89
 FD MONBOX
 7-5-01, BVD
 FD MONBOX
 W/ 1" IPIN
 REF22
 3-28-16, JFO
 PLACED STRATLERS
 2-28-18, JFO



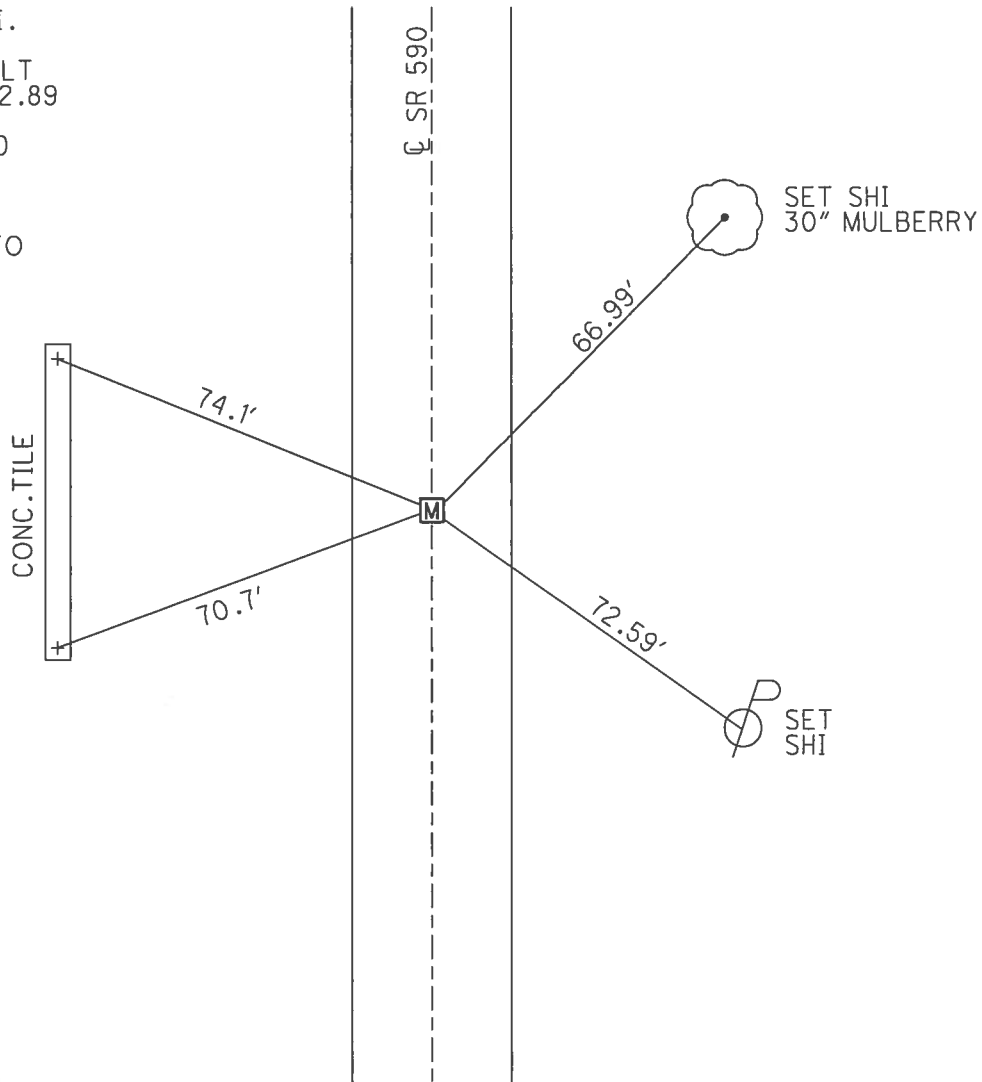
O.D.O.T. DISTRICT 2 SURVEY OFFICE (USE ONLY)

PERSONNEL _____ REFERENCE NO. 22 SHEET 3 OF 15
 NOTES VAN DUSEN DATE 7/5/01 ROUTE SR 590
 H.C. ROUSOS WEATHER SUNNY COUNTY SANDUSKY
 R.C. BROWN TEMP. 65° TOWNSHIP WASHINGTON
 _____ SECTION 14
 _____ T 5 N R 14 E

TYPE MONUMENT MONBOX
 ON SURFACE - ~~BELOW~~ ON
 LEFT - ☉ PAV'T - RIGHT ON
12.2' TO LT EDGE PAVEMENT
 S.L.M. 558+93.81
 GRID: NORTHING: 632148.503 EASTING: 1770539.121



RECORD: P.I.
 1986
 $\Delta = 0^\circ 04' \text{ LT}$
 STA. 558+92.89
 FD MONBOX
 7/5/01, BVD
 FD MONBOX
 W/ 1" IPIN
 REF22
 3/28/16, JFO



O.D.O.T. DISTRICT 2 SURVEY OFFICE

PERSONNEL

REFERENCE NO. 22

SHEET 3 OF 14

NOTES VAN DUSEN

H.C. Rausor

R.C. Brown

DATE 7.5.01

WEATHER SUNNY

TEMP. 65°F

ROUTE 590

COUNTY SANDUSKY

TOWNSHIP WASHINGTON

SECTION 15+14

T5 N R 14 E

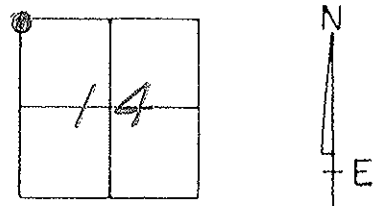
TYPE MONUMENT Mon Box

ON SURFACE - ~~BELOW~~ Surface

LEFT - ~~CL~~ PAV'T. - ~~RIGHT~~ CL PAVT

12.2 TO L+ EDGE PAVEMENT

S.L.M. 558+92



RECORD:

P.I. 558+92.89

SEC. CORNER

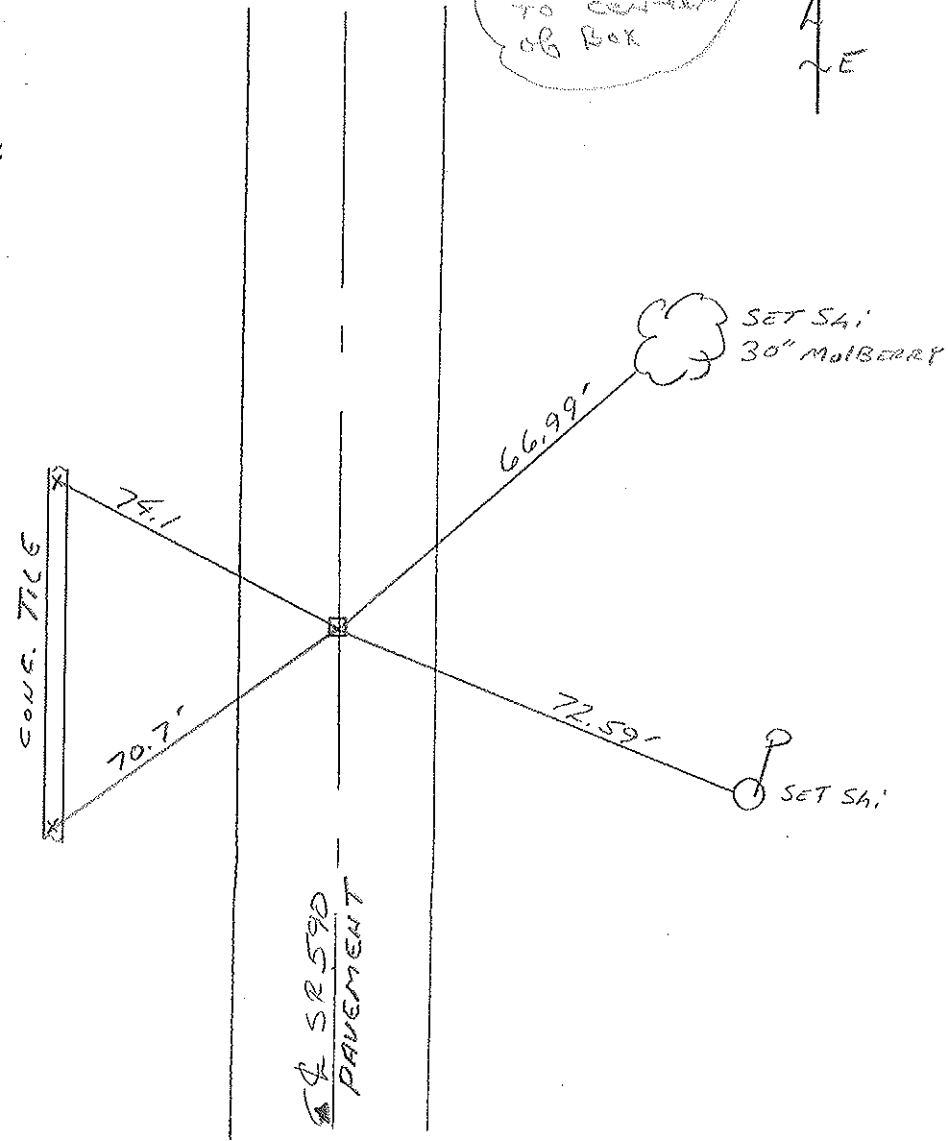
$\Delta = 0^{\circ} 04'$

Center Mon

Box #2

N.W. CORNER SEC. 14

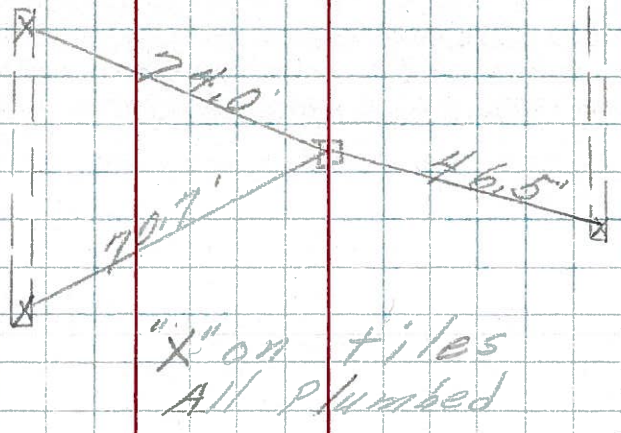
NOTE!
TIES ARE
TO CENTER
OF BOX



PERSONNEL	TITLE	PERSONNEL	TITLE	COUNTY	DATE
				<u>SANDUSKY</u>	<u>7-28-71</u>
				S. R.	WEATHER
				<u>590</u> <u>Washington Twp.</u>	<u>cloudy</u>
				SEC.	TEMP.
				<u>15614</u>	<u>75°</u>
DESCRIPTION	<u>U.S. # 20 to Ottawa Co. Line</u>			JOB NO.	
	LEFT	CENTER LINE	RIGHT		

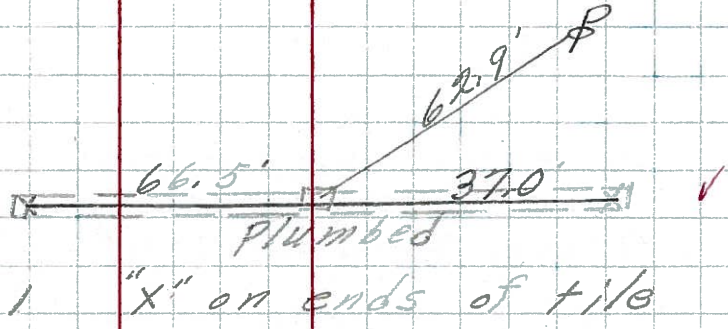
22

P.I.
558 + 92.89
Sec. Corner
 $\Delta = 0^{\circ}04'$
Center Mon.
Box # 2
NW Cor. Sec. # 14



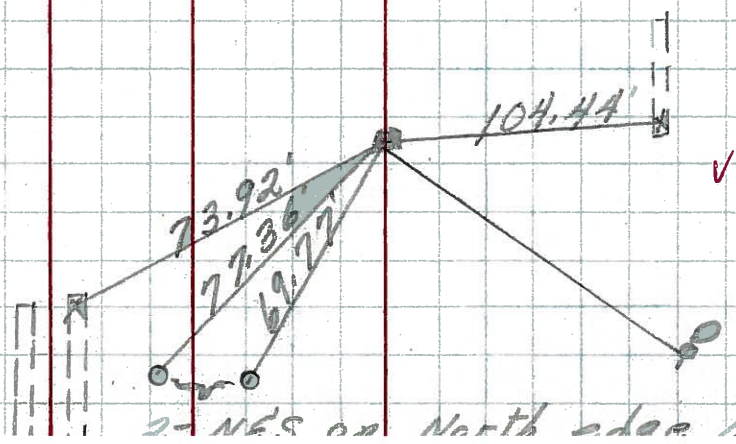
21B

P.I.
549 + 73.25
 $\Delta = 26^{\circ}30'$ Lt.
Center Mon. Box # 1
NW 1/4 NW 1/4 Sec. # 14



21A

P.O.T.
634 + 86.32
Small spk.
on top



25