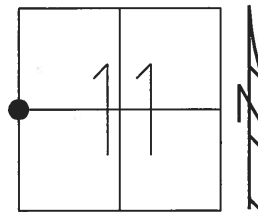


O.D.O.T. DISTRICT 2 SURVEY OFFICE (USE ONLY)

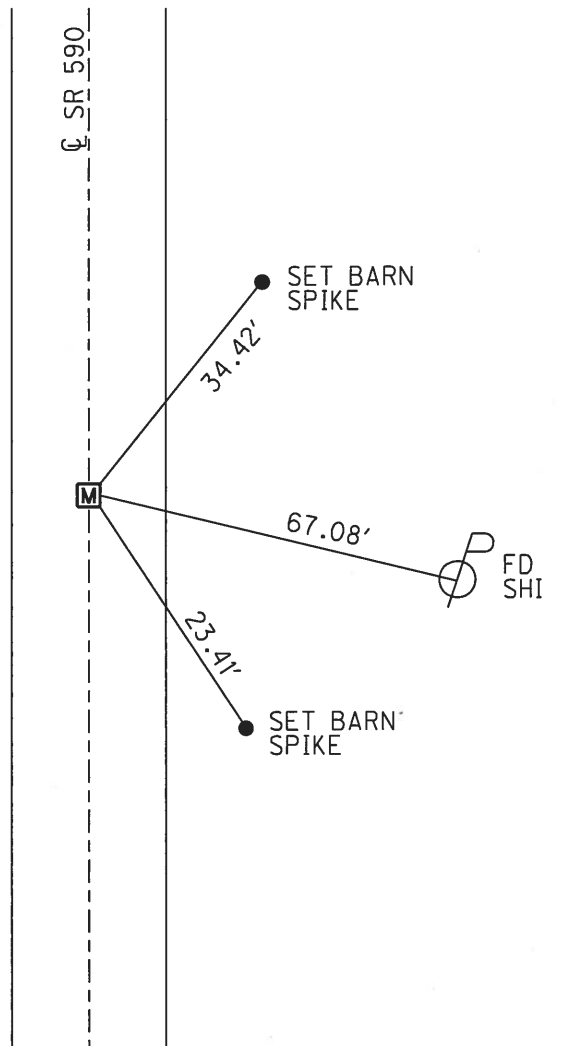
PERSONNEL \_\_\_\_\_ REFERENCE NO. 22 A SHEET 5 OF 16  
 NOTES RHOADES DATE 2/28/18 ROUTE SR 590  
 H.C. O'DONNELL WEATHER CLOUDY COUNTY SANDUSKY  
 R.C. AUBLE TEMP. 49° TOWNSHIP WASHINGTON  
 \_\_\_\_\_ SEAMAN \_\_\_\_\_ SECTION 11  
 \_\_\_\_\_ T 5 N R 14 E

TYPE MONUMENT MONBOX W/ 1" IPIN  
 ON SURFACE - ~~BELOW~~ ON  
 LEFT - ☉ PAV'T - RIGHT ON  
12.4' TO RT EDGE PAVEMENT  
 S.L.M. 585+42.16



GRID: NORTHING: 634795.322 EASTING: 1770629.308

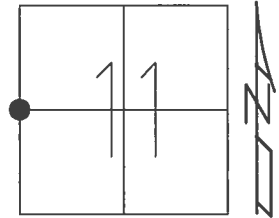
RECORD: P.I.  
 1986  
 $\Delta = 0^{\circ}15''$  RT  
 STA. 585+41.3  
 FD MONBOX  
 7-5-01, BVD  
 FD MONBOX  
 W/ 1" IPIN  
 REFA22  
 3-28-16, JFO  
 SET STRATLERS  
 2-28-18, JFO



O.D.O.T. DISTRICT 2 SURVEY OFFICE (USE ONLY)

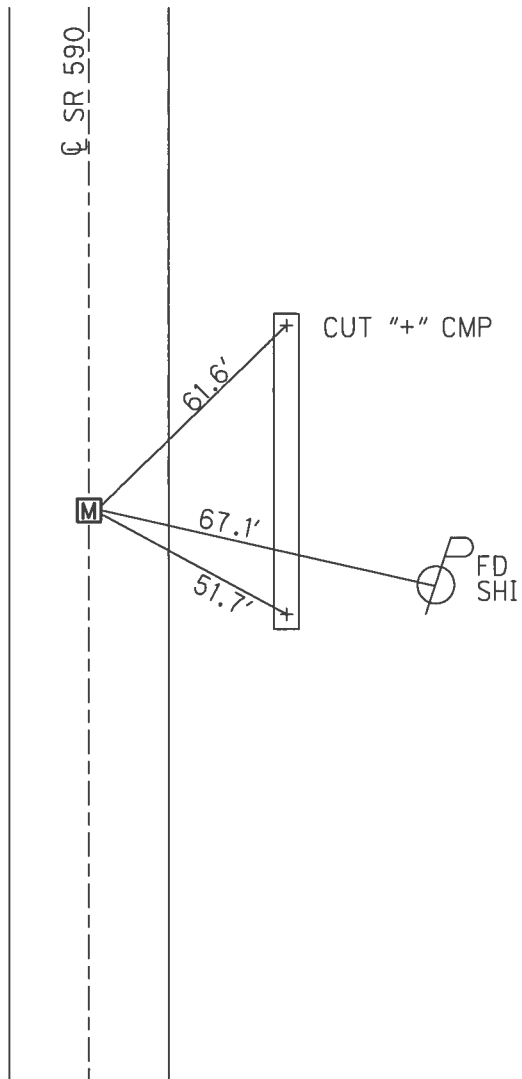
PERSONNEL \_\_\_\_\_ REFERENCE NO. 22 A SHEET 4 OF 15  
 NOTES VAN DUSEN DATE 7/5/01 ROUTE SR 590  
 H.C. ROUSOS WEATHER SUNNY COUNTY SANDUSKY  
 R.C. BROWN TEMP. 65° TOWNSHIP WASHINGTON  
 \_\_\_\_\_ SECTION 11  
 \_\_\_\_\_ T 5 N R 14 E

TYPE MONUMENT MONBOX  
 ON SURFACE - ~~BELOW~~ ON  
 LEFT - ☉ PAV'T - RIGHT ON  
12.4' TO RT EDGE PAVEMENT  
 S.L.M. 585+42.16



GRID: NORTHING: 634795.322 EASTING: 1770629.306

RECORD: P.I.  
 1986  
 $\Delta = 0^{\circ}15''$  RT  
 STA. 585+41.3  
 FD MONBOX  
 7/5/01, BVD  
 FD MONBOX  
 W/ 1" IPIN  
 REFA22  
 3/28/16, JFO



# O.D.O.T. DISTRICT 2 SURVEY OFFICE

PERSONNEL \_\_\_\_\_

REFERENCE NO. \_\_\_\_\_

SHEET 4 OF 14

NOTES Van Dusen

H.C. Russas

DATE 7-25-01

ROUTE SR590

R.C. Brown

WEATHER Sunny

COUNTY SANDUSKY

TEMP. 65°F

TOWNSHIP WASHINGTON

SECTION W/4 cor. 11

T5 N R 14 E

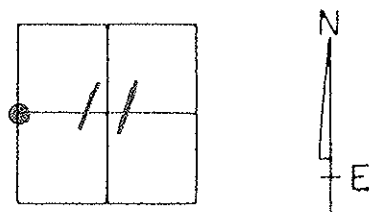
TYPE MONUMENT Man Box

ON SURFACE - BELOW SURFACE

LEFT- & PAV'T. - RIGHT & Pav't.

12.9 FT. RT. EDGE PAVEMENT

S.L.M. 585+41.30

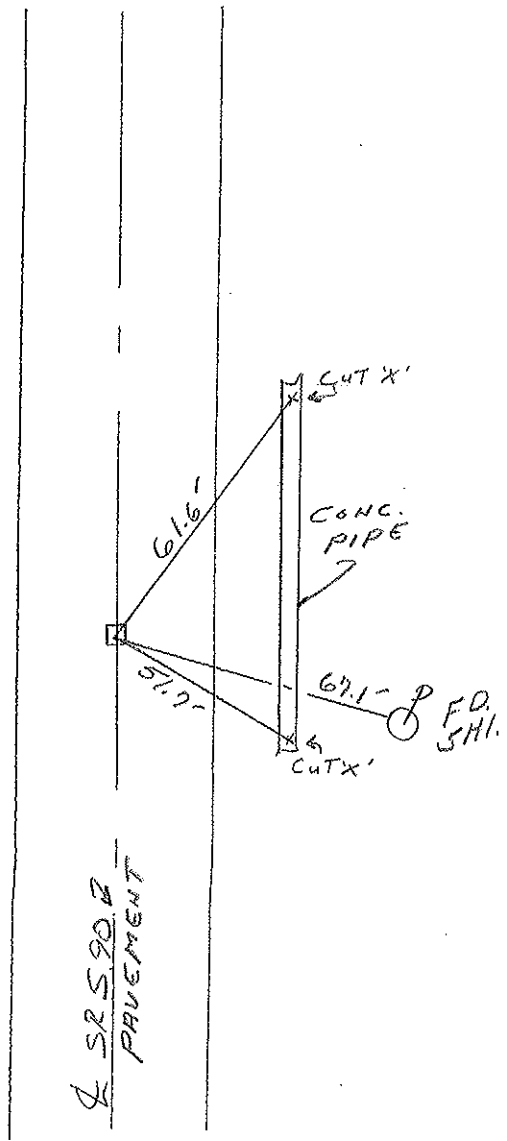


RECORD:

P.I.  
585+41.30  
Δ = 0°15' RT  
Center Man  
Box #3



NOTE:  
TIES ARE  
TO CENTER  
of Box



PERSONNEL TITLE PERSONNEL TITLE

COUNTY Sandusky DATE 7-28-71

S. R. 590 WEATHER Cloudy

SEC. 10 & 11 TEMP. 75°

DESCRIPTION U.S. # 20 to Ottawa Co. Line JOB NO. \_\_\_\_\_

LEFT CENTER LINE RIGHT

