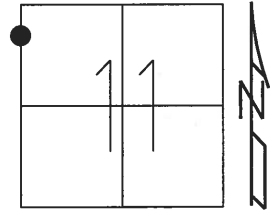


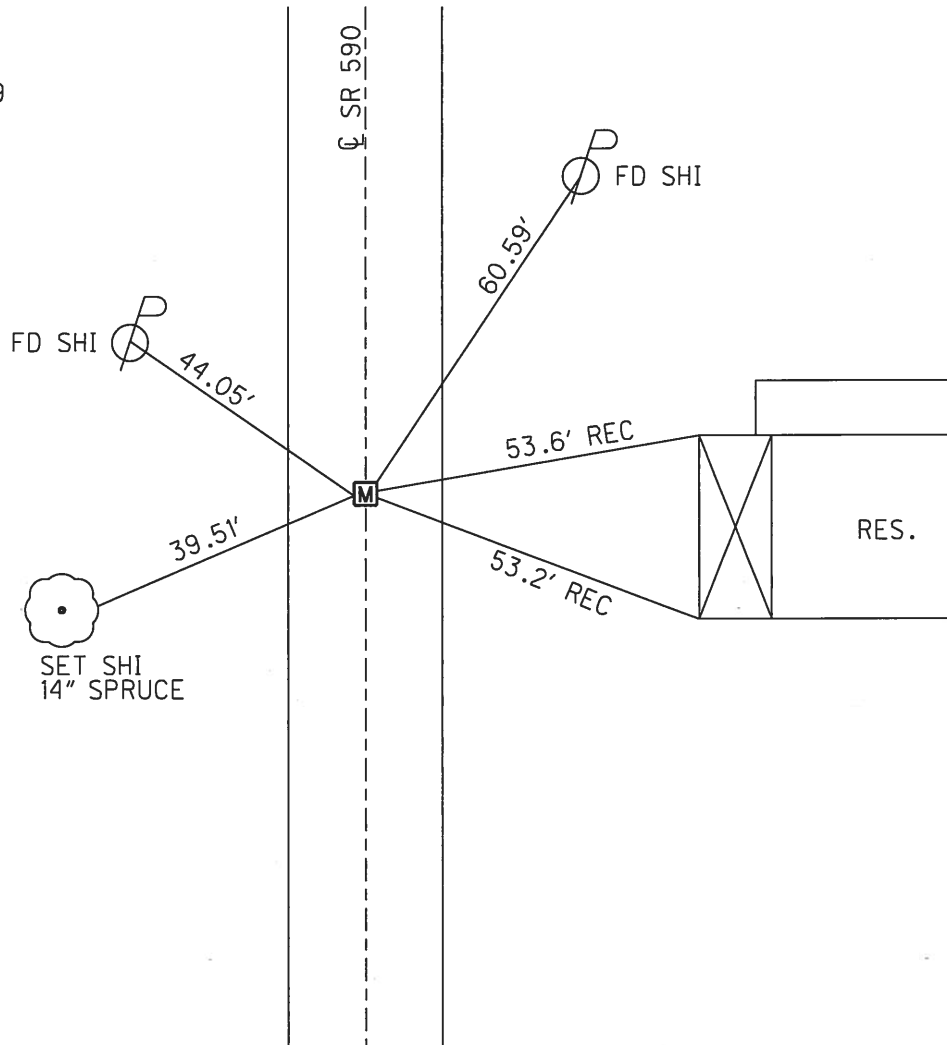
O.D.O.T. DISTRICT 2 SURVEY OFFICE (USE ONLY)

PERSONNEL \_\_\_\_\_ REFERENCE NO. 23 SHEET 6 OF 16  
 NOTES RHOADES DATE 2/28/18 ROUTE SR 590  
 H.C. O'DONNELL WEATHER CLOUDY COUNTY SANDUSKY  
 R.C. AUBLE TEMP. 49° TOWNSHIP WASHINGTON  
 \_\_\_\_\_ SEAMAN \_\_\_\_\_ SECTION 11  
 T 5 N R 14 E

TYPE MONUMENT MONBOX W/ 1" IPIN  
 ON SURFACE - ~~BELOW~~ ON  
 LEFT - ☉ PAV'T - RIGHT ON  
13.8' TO RT EDGE PAVEMENT  
 S.L.M. 602+96.63  
 GRID: NORTHING: 636545.519 EASTING: 1770695.985



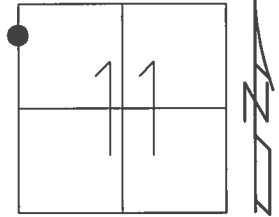
RECORD: P.I.  
 1986  
 $\Delta = 0^\circ 04' \text{ LT}$   
 STA. 602+92.59  
 FD MONBOX  
 7-5-01, BVD  
 FD MONBOX  
 W/ 1" IPIN  
 REF23  
 3-28-16, JFO  
 SET STRATLERS  
 2-28-18, JFO



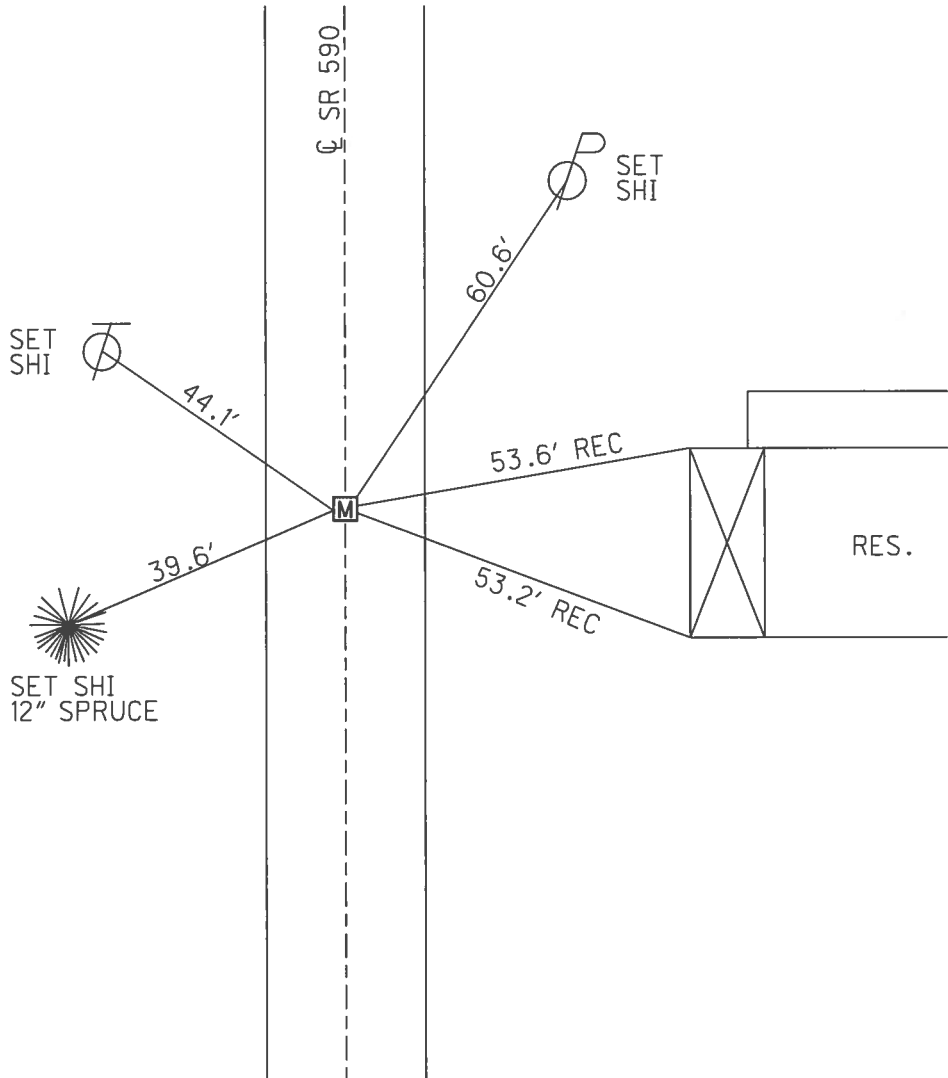
O.D.O.T. DISTRICT 2 SURVEY OFFICE (USE ONLY)

PERSONNEL \_\_\_\_\_ REFERENCE NO. 23 SHEET 5 OF 15  
 NOTES VAN DUSEN DATE 7/5/01 ROUTE SR 590  
 H.C. ROUSOS WEATHER SUNNY COUNTY SANDUSKY  
 R.C. BROWN TEMP. 65° TOWNSHIP WASHINGTON  
 \_\_\_\_\_ SECTION 11  
 \_\_\_\_\_ T 5 N R 14 E

TYPE MONUMENT MONBOX  
 ON SURFACE - ~~BELOW~~ ON  
 LEFT - ☉ PAV'T - RIGHT ON  
13.8' TO RT EDGE PAVEMENT  
 S.L.M. 602+96.63  
 GRID: NORTHING: 636545.519 EASTING: 1770695.985



RECORD: P.I.  
 1986  
 $\Delta = 0^\circ 04' \text{ LT}$   
 STA. 602+92.59  
 FD MONBOX  
 7/5/01, BVD  
 FD MONBOX  
 W/ 1" IPIN  
 REF23  
 3/28/16, JFO



O.D.O.T. DISTRICT 2 SURVEY OFFICE

PERSONNEL

REFERENCE NO. \_\_\_\_\_

SHEET 5 OF 14

NOTES Van Dusen

H.C. Rodson

R.C. Brown

DATE 7-05-01

WEATHER Sunny

TEMP. 65°F

ROUTE 590

COUNTY SANDUSKY

TOWNSHIP WASHINGTON

SECTION 3, 2

T5 N R14 E

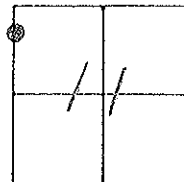
TYPE MONUMENT Mon Box

ON SURFACE - ~~BELOW~~ SURFACE

LEFT- & PAV'T. - RIGHT 1/2 Point

13.8 TO RT. EDGE PAVEMENT Face of curb

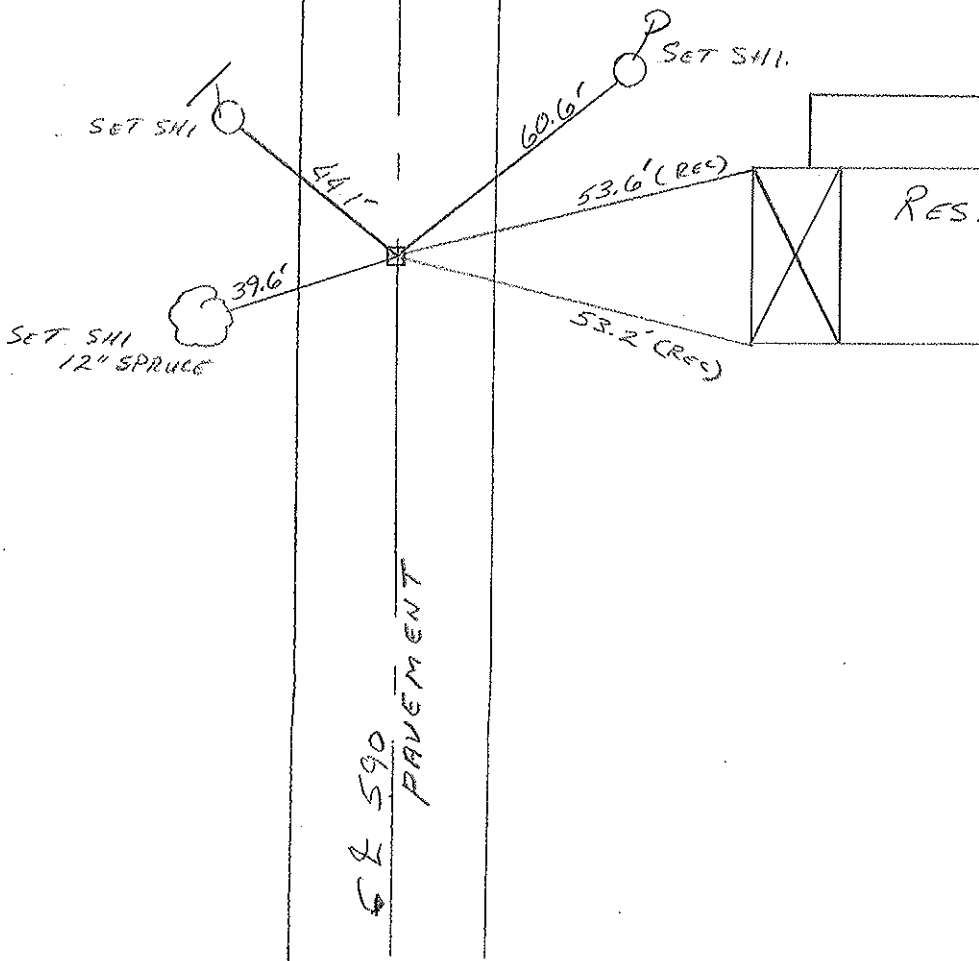
S.L.M. 602+92



NOTE:  
TIGS ARE TO  
CENTER OF BOX



Records:  
RT  
602+92.59  
Δ = 0° 04' 12"  
MON BOX #4



PERSONNEL TITLE PERSONNEL TITLE

COUNTY Sandusky DATE 7-28-71

S. R. 590 WEATHER cloudy

SEC. 10 & 11 TEMP. 75°

DESCRIPTION U.S. # 20 to Ottawa Co. Line JOB NO. \_\_\_\_\_

LEFT CENTER LINE RIGHT

