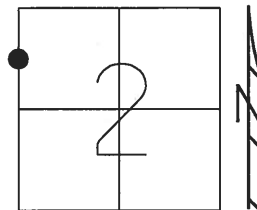


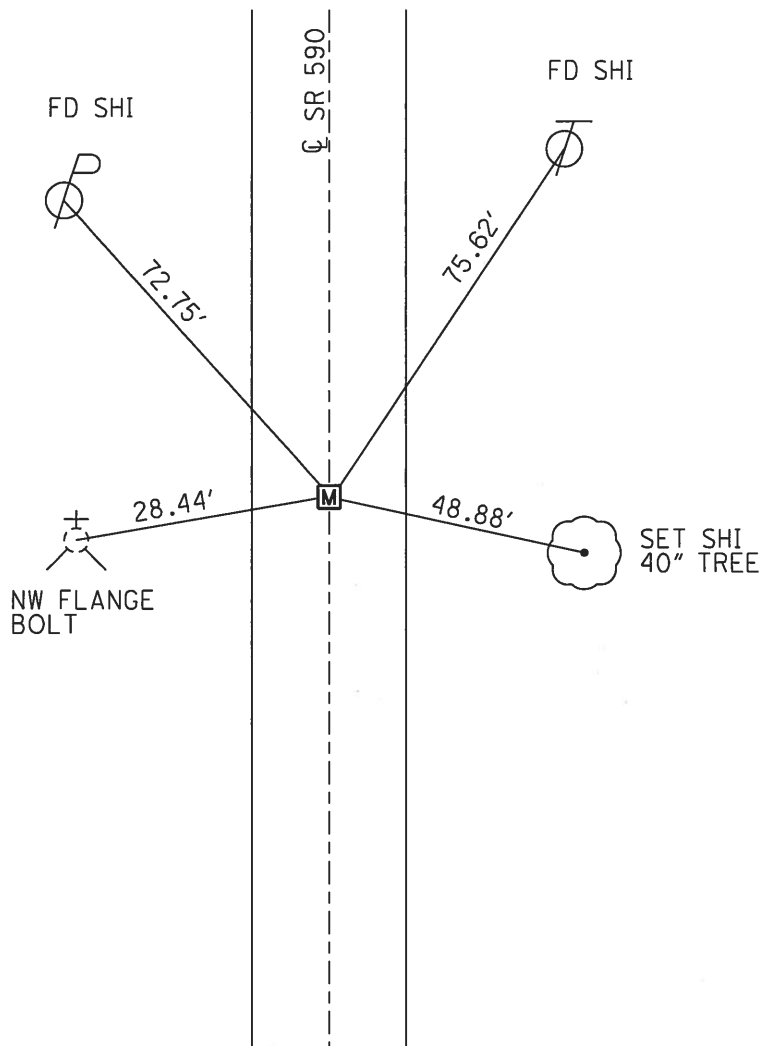
O.D.O.T. DISTRICT 2 SURVEY OFFICE (USE ONLY)

PERSONNEL _____ REFERENCE NO. 25 SHEET 9 OF 16
 NOTES RHOADES DATE 2/28/18 ROUTE SR 590
 H.C. O'DONNELL WEATHER CLOUDY COUNTY SANDUSKY
 R.C. AUBLE TEMP. 54° TOWNSHIP WASHINGTON
 _____ SEAMAN _____ SECTION 2
 _____ T 5 N R 14 E

TYPE MONUMENT MONBOX W/ 1" IPIN
 ON SURFACE - ~~BELOW~~ ON
 LEFT - ☉ PAV'T - RIGHT ON
15.1' TO LT EDGE PAVEMENT
 S.L.M. 642+08.04
 GRID: NORTHING: 640457.313 EASTING: 1770842.999



RECORD: P.I.
 1986
 $\Delta = 0^\circ 03' \text{ LT}$
 STA. 642+07.77
 FD MONBOX
 7/5/01, BVD
 FD MONBOX
 COVERED
 W/ ASPHALT
 W/ 1" IPIN
 REF25
 SHOT "+"
 3/28/16, JFO
 FD MONBOX
 W/ 1" IPIN
 REF25
 SET STRATLERS
 2-28-18, JFO

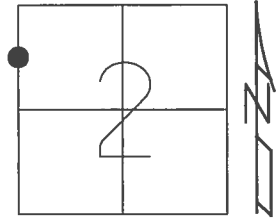


O.D.O.T. DISTRICT 2 SURVEY OFFICE (USE ONLY)

PERSONNEL _____ REFERENCE NO. 25 SHEET 8 OF 15

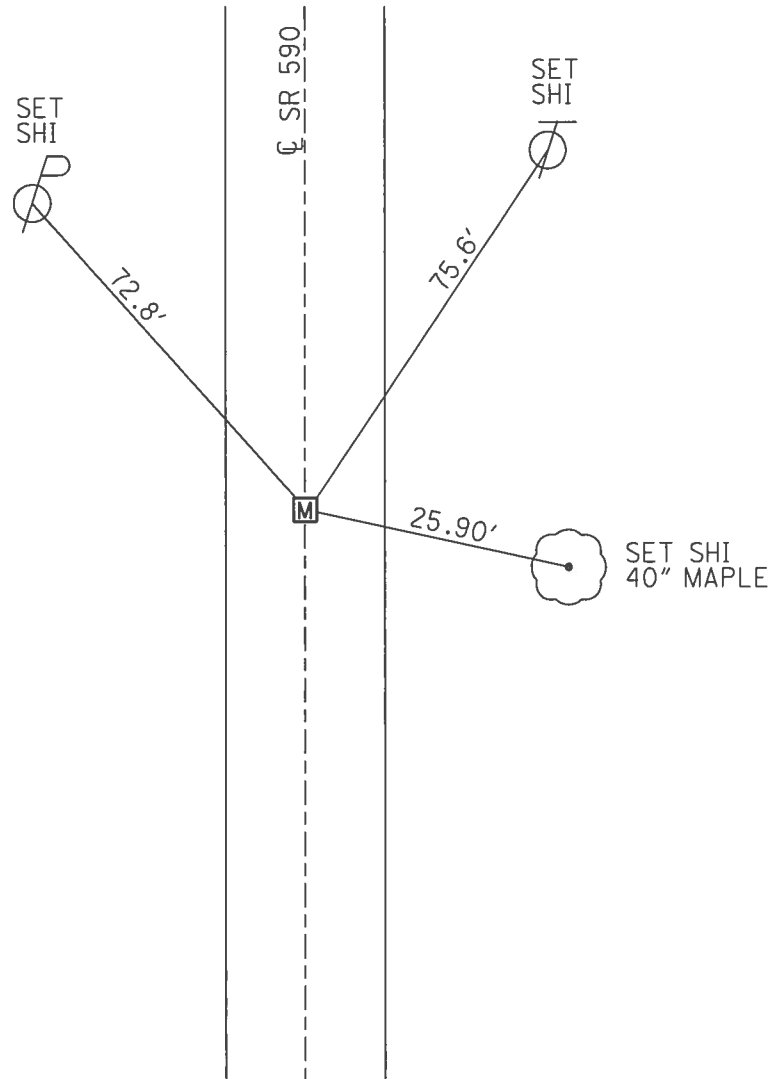
NOTES VAN DUSEN DATE 7/5/02 ROUTE SR 590
 H.C. ROUSOS WEATHER SUNNY COUNTY SANDUSKY
 R.C. BROWN TEMP. 65° TOWNSHIP WASHINGTON
 SECTION 2
 T 5 N R 14 E

TYPE MONUMENT MONBOX
 ON SURFACE - ~~BELOW~~ ON _____
 LEFT - ℄ PAV'T - RIGHT ON _____
15.1' TO LT EDGE PAVEMENT
 S.L.M. 642+08.04



GRID: NORTHING: 640457.163 EASTING: 1770843.014

RECORD: P.I.
 1986
 $\Delta = 0^\circ 03' \text{ LT}$
 STA. 642+07.77
 FD MONBOX
 7/5/01, BVD
 FD MONBOX
 COVERED
 W/ASPHALT
 W/ 1" IPIN
 REF25
 SHOT "+"
 3/28/16, JFO



O.D.O.T. DISTRICT 2 SURVEY OFFICE

PERSONNEL

REFERENCE NO. _____

SHEET 8 OF 14

NOTES Van Dusen

H.C. Kasson

R.C. Brown

DATE 7-05-02

WEATHER SUNNY

TEMP. 65°F

ROUTE SR 590

COUNTY SANDUSKY

TOWNSHIP WASHINGTON

SECTION 32

T5 N R 14 E

TYPE MONUMENT Mon Box

ON SURFACE - ~~BELOW~~ SURFACE

LEFT- & PAV'T. - RIGHT on & PAVT.

151 TO LT EDGE PAVEMENT

S.L.M. 642+07

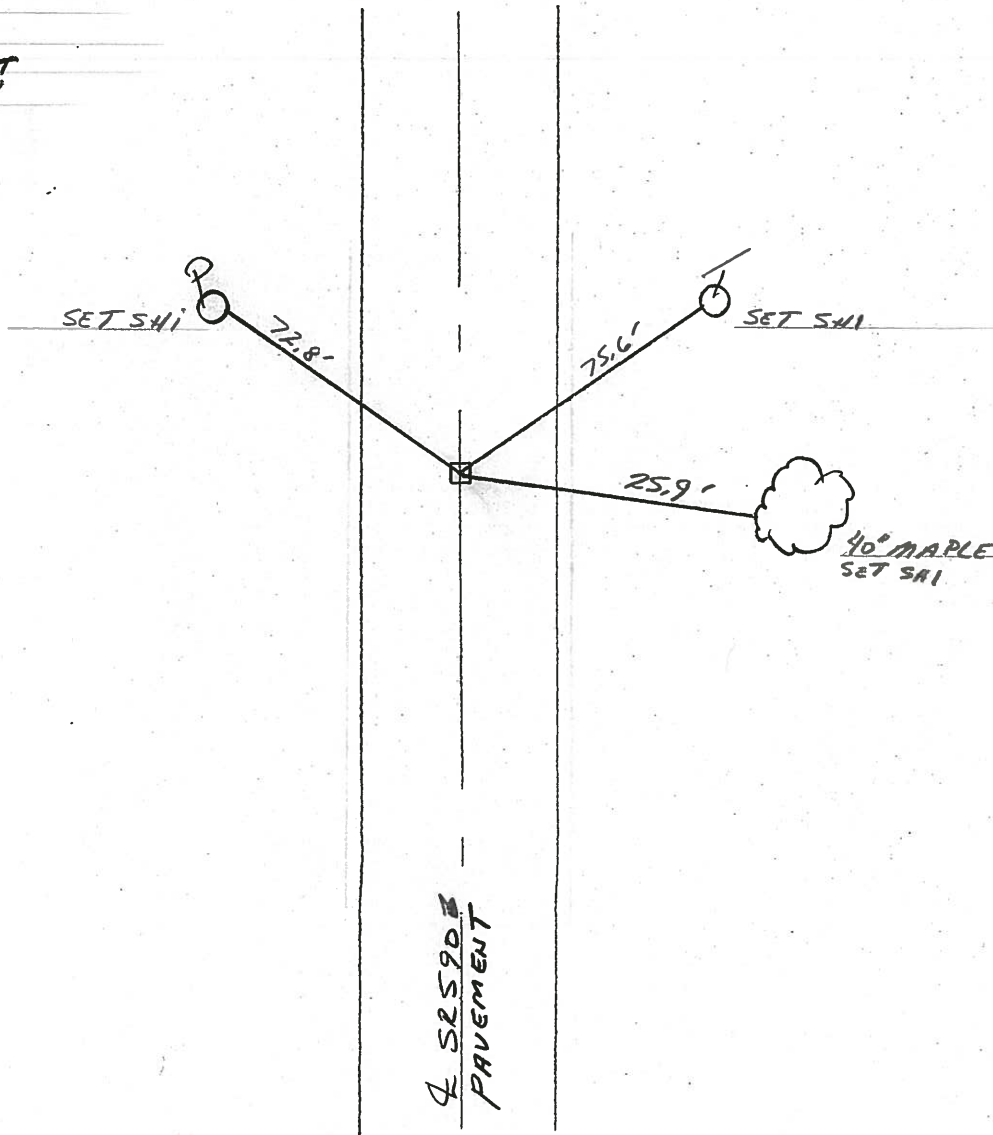
25

3	2
10	11



RECORD:

P.I.
642+07.77
 Δ: 0° 03' LT
 Mon Box #7



PERSONNEL TITLE PERSONNEL TITLE

COUNTY Sandusky DATE 7-28-71

S. R. 590 WEATHER Cloudy

SEC. 10&11-3&2 TEMP. 75°

DESCRIPTION U.S. #20 to Ottawa, Co. Line JOB NO.

