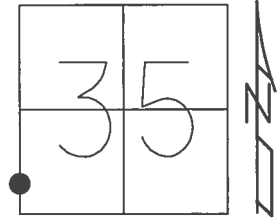


O.D.O.T. DISTRICT 2 SURVEY OFFICE (USE ONLY)

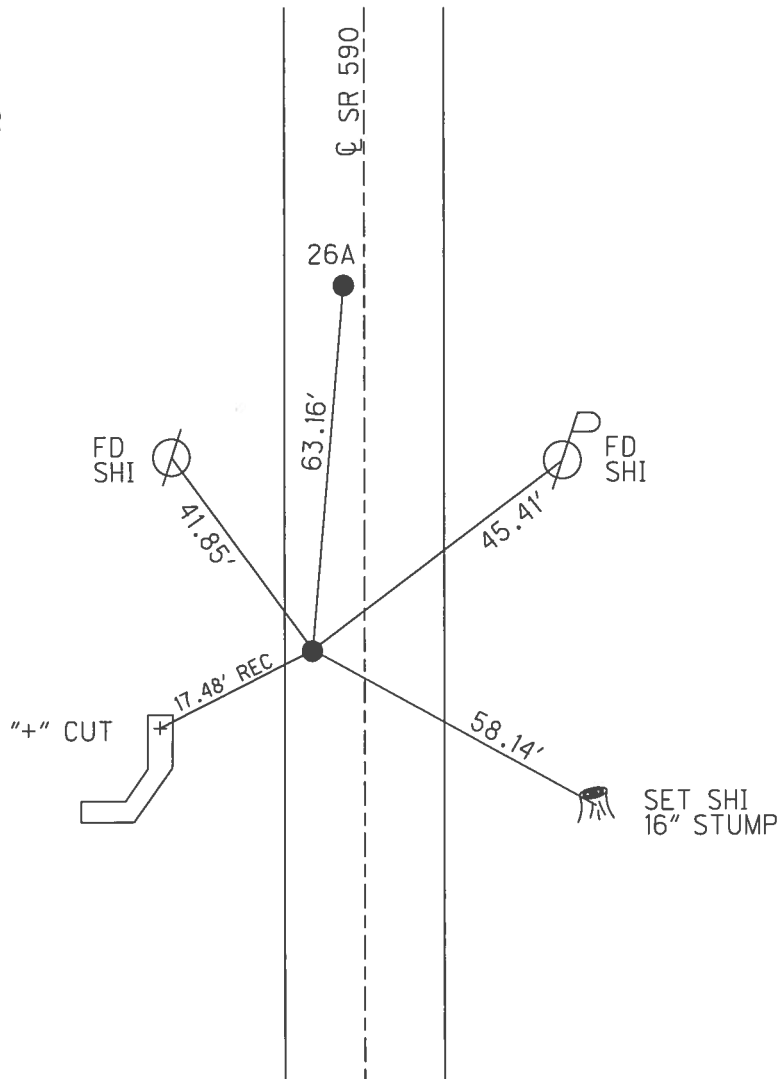
PERSONNEL \_\_\_\_\_ REFERENCE NO. 26 SHEET 10 OF 15  
 NOTES RHOADES DATE 7/20/17 ROUTE SR 590  
 H.C. O'DONNELL WEATHER SUNNY COUNTY SANDUSKY  
 R.C. POORE TEMP. 85° TOWNSHIP WASHINGTON  
 SECTION 35  
 T 5 N R 14 E

TYPE MONUMENT MAG/WASHER  
~~ON SURFACE~~ - BELOW 1"  
 LEFT - ☉ PAV'T - ~~RIGHT~~ 8.7'  
1.1' TO LT EDGE PAVEMENT  
 S.L.M. 670+92.57



GRID: NORTHING: 643335.174 EASTING: 1770862.437

RECORD:  
 STA. 671+07  
 P.K./WASHER  
 3" DOWN  
 SET P.K./WASHER  
 9/4/01, BVD  
 FD P.K. SHANK  
 1" DOWN  
 SET MAG/WASHER  
 REF26  
 3/28/16, JFO  
 UNCOVERED  
 11/8/17, JFO



O.D.O.T. DISTRICT 2 SURVEY OFFICE

PERSONNEL

REFERENCE NO. \_\_\_\_\_

SHEET 10 OF 14

NOTES VAN DUSEN

H.C. Rouss

DATE 9-4-01

ROUTE SR 590

R.C. Brown

WEATHER Sunny

COUNTY SANDUSKY

TEMP. +70°F

TOWNSHIP WASHINGTON

SECTION 34-35

T5 N R 14 E

TYPE MONUMENT A-PK WASHER / B-PK WASHER  
 ON SURFACE - BELOW A-3" Down / B-3" Down  
 LEFT ~~PAV'T.~~ - RIGHT \_\_\_\_\_

All 1/8" TO LT. EDGE PAVEMENT

S.L.M. A-671+07 / B 671+70

**26**

34	35
3	2



RECORD:

Δ=08°00'00" RT (1927 Plan)

29+67.63

PK'S & WASHER ATOP SAME

ATOP PK

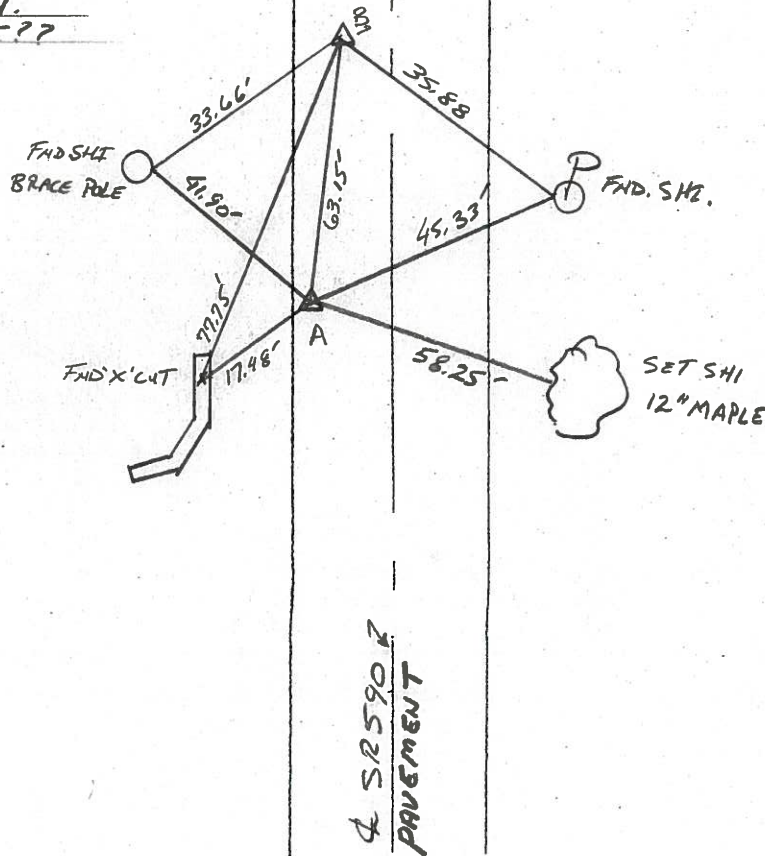
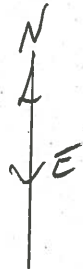
\* CAUTION - ONE OF THESE PTS.

SHOULD BE P.I. THE OTHER

CANNOT BE P.C. OR P.T.

ON SEC. LINE OR NOT??

SET PK'S WASHERS  
 9-4-01  
 BVD



# O.D.O.T. DISTRICT 2 SURVEY OFFICE

②

PERSONNEL \_\_\_\_\_

REFERENCE NO. \_\_\_\_\_

SHEET \_\_\_\_\_ OF \_\_\_\_\_

NOTES CROWIN

DRAWN 11-29-89

H.C. RIPPLE

DATE 11-27-89

ROUTE 590

R.C. BARBOUR (NOTES)

WEATHER SUNNY

COUNTY SAND

GEYMAN

TEMP. 42°

TOWNSHIP WASHINGTON

SECTION 34-35

T 5 N R 14 E

TYPE MONUMENT PK & WASHER

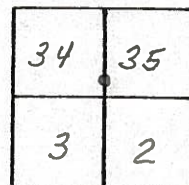
ON SURFACE - BELOW SURFACE

LEFT- & PAV'T. - RIGHT LT &

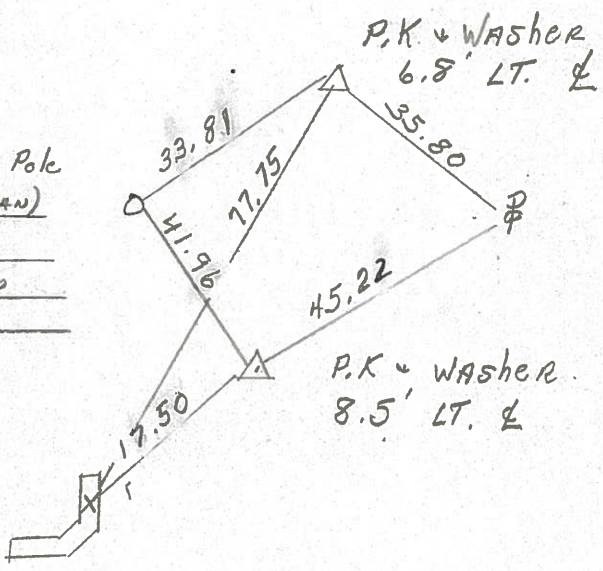
TO EDGE PAVEMENT

S.L.M. 671+??

26



P.I. BRACE POLE  
 $\Delta = 08^{\circ} 00' 00''$  RT. (1927 PLAN)  
29467.63  
P.K.s & WASHERS ATOP  
SAME ATOP P.K.s.



\* CAUTION - ONE OF THESE POINTS SHOULD BE P.I. - THE OTHER CAN NOT BE P.C. OR P.T. ON SECTION LINE OR NOT??

PERSONNEL	TITLE	PERSONNEL	TITLE

COUNTY Sandusky DATE 7-28-71  
 S. R. 590 WEATHER cloudy  
 SEC. 34 & 35 TEMP. 75°

DESCRIPTION U.S. # 20 to Ottawa, Co. Line JOB NO. \_\_\_\_\_  
 LEFT CENTER LINE RIGHT

