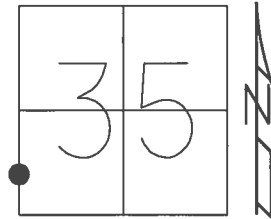


O.D.O.T. DISTRICT 2 SURVEY OFFICE (USE ONLY)

PERSONNEL _____ REFERENCE NO. 26 A SHEET 11 OF 15

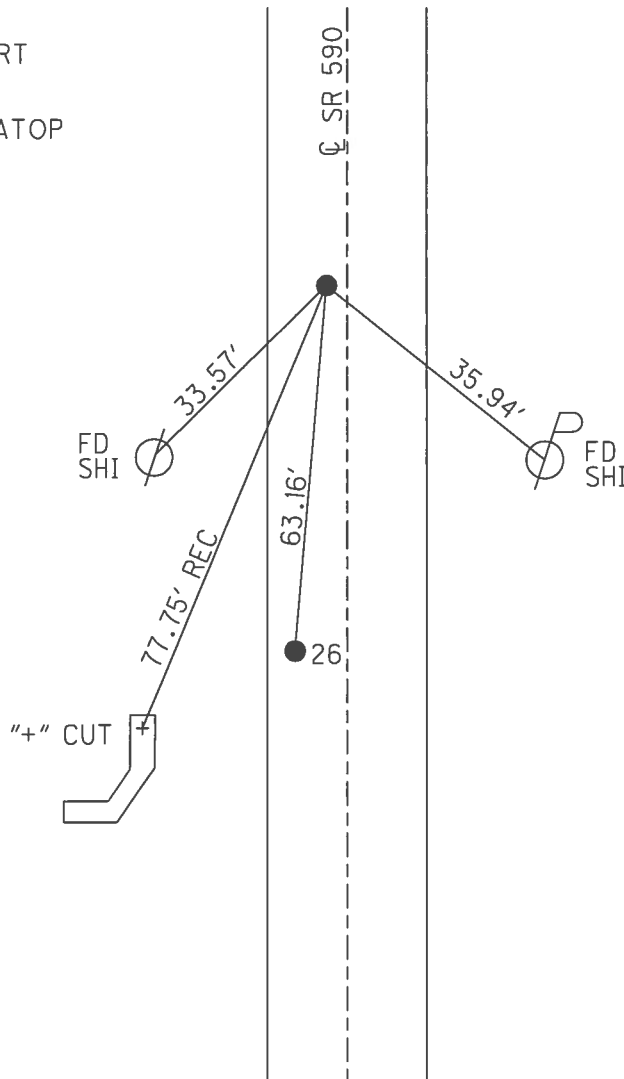
NOTES RHOADES DATE 7/20/17 ROUTE SR 590
 H.C. O'DONNELL WEATHER SUNNY COUNTY SANDUSKY
 R.C. POORE TEMP. 85° TOWNSHIP WASHINGTON
 SECTION 35
 T 5 N R 14 E

TYPE MONUMENT MAG/WASHER
 ON SURFACE - ~~BELOW~~ ON _____
 LEFT - ☉ PAV'T - RIGHT 6.8'
3.0' TO LT EDGE PAVEMENT
 S.L.M. 671+55.44



GRID: NORTHING: 643398.236 EASTING: 1770859.529

RECORD: P.I.
 $\Delta = 08^{\circ} 00' 00''$ RT
 1927 PLAN
 STA. 29+67.63
 FD P.K./WASHER ATOP
 P.K./WASHER
 STA. 671+07
 P.K./WASHER
 3" DOWN
 SET P.K./WASHER
 9/4/01, BVD
 FD P.K.SHANK
 SET MAG/WASHER
 REFA26
 3/28/16, JFO
 UNCOVERED
 11/8/17, JFO



O.D.O.T. DISTRICT 2 SURVEY OFFICE

PERSONNEL

REFERENCE NO. _____

SHEET 10 OF 14

NOTES VAN DUSEN

H.C. Rouder

DATE 9-4-01

ROUTE SR 590

R.C. Brown

WEATHER Sunny

COUNTY SANDUSKY

TEMP. +70°F

TOWNSHIP WASHINGTON

SECTION 34-35

T5 N R 14 E

TYPE MONUMENT A-PK&WASHER / B-PK&WASHER
 ON SURFACE - BELOW A-3" DOWN / B-3" DOWN
 LEFT ~~E~~ PAV'T. RIGHT

ALL 1/8" TO LT. EDGE PAVEMENT

S.L.M. A-671+07 / B 671+70

26A

34	35
3	2



RECORD:

$\Delta = 08^{\circ} 00' 00''$ RT (1927 Plan)

29+62.63

PK'S & WASHER ATOP SAME

ATOP PK

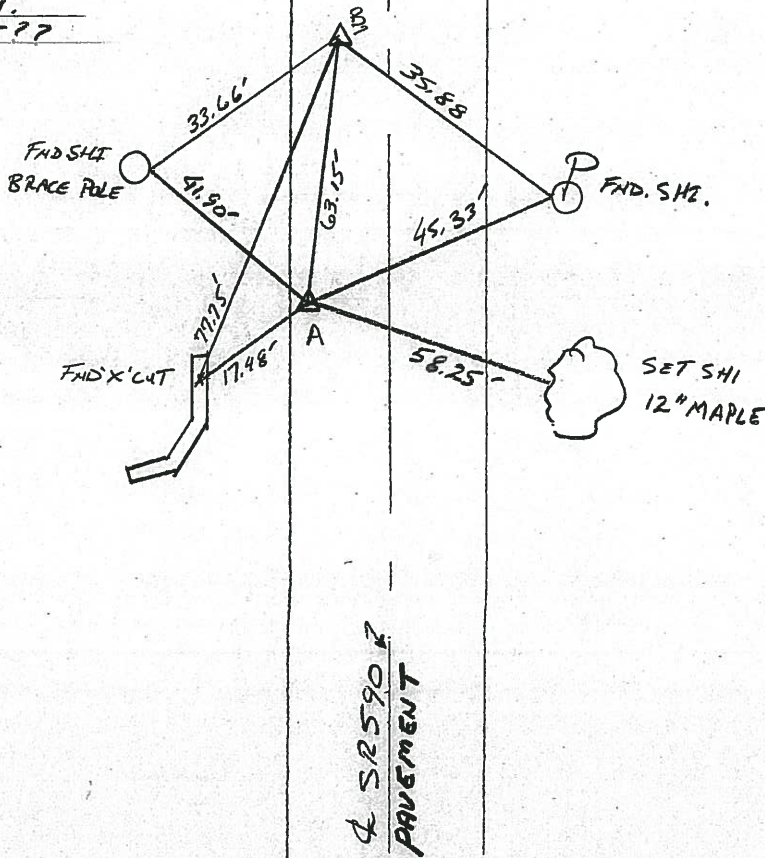
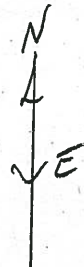
* CAUTION - ONE OF THESE PTS.

SHOULD BE P.I. - THE OTHER

CANNOT BE P.C. OR P.T.

ON SEC. LINE OR NOT??

SET PK'S WASHERS
 9-4-01
 BUD



O.D.O.T. DISTRICT 2 SURVEY OFFICE

②

PERSONNEL

NOTES Crowin
 H.C. RIPPLE
 R.G. BARBOUR (NOTES)
GEYMAN

REFERENCE NO. _____
 DRAWN 11-29-89
 DATE 11-27-89
 WEATHER JUNNY
 TEMP. 42°

SHEET _____ OF _____

ROUTE 590
 COUNTY SAND
 TOWNSHIP WASHINGTON
 SECTION 34-35
T5 N R 14 E

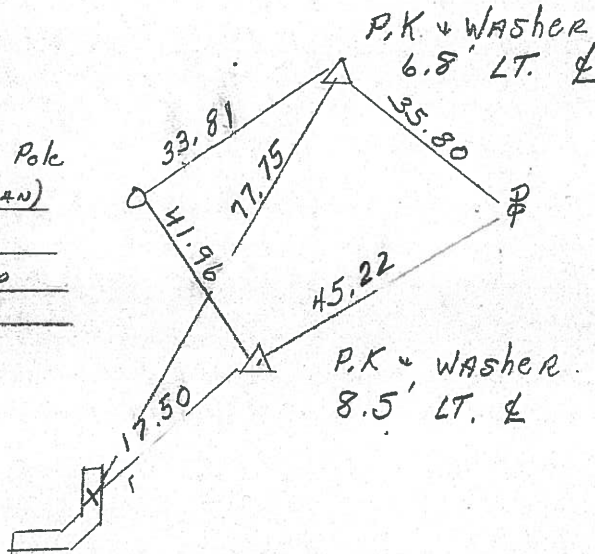
TYPE MONUMENT PK & WASHER
 ON SURFACE - BELOW SURFACE
 LEFT- & PAV'T. - RIGHT LT &
 TO EDGE PAVEMENT
 S.L.M. 671+??

26A

34	35
3	2



P.I
BRACE Pole
Δ = 08° 00' 00" Rt. (1927 PLAN)
29+67.63
P.K.s & WASHERS ATOP
SAME ATOP P.K.s.



* CAUTION - ONE OF THESE POINTS
SHOULD BE P.I - THE OTHER
CAN NOT BE P.C. OR P.T.
ON SECTION LINE OR NOT??

PERSONNEL TITLE PERSONNEL TITLE

COUNTY Sandusky DATE 7-28-71

S. R. 590 WEATHER cloudy

SEC. 34 & 35 TEMP. 75°

DESCRIPTION U.S. # 20 to Ottawa, Co. Line JOB NO.

LEFT

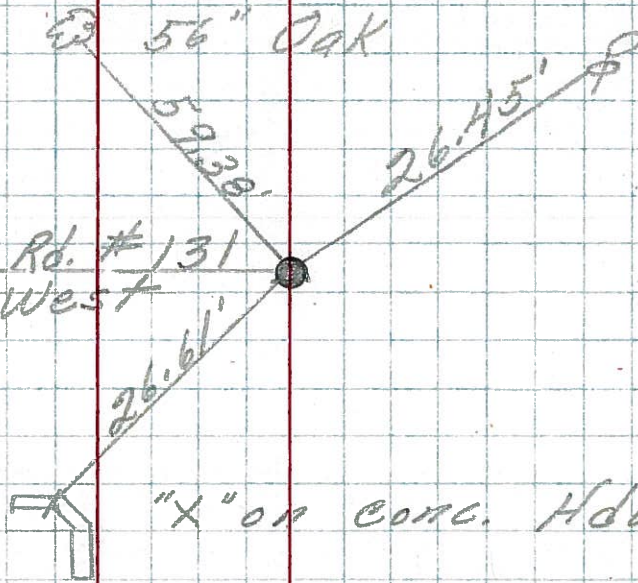
CENTER LINE

RIGHT

27

P.O.T.
P.K. Nail

Co. Rd. # 131
West



26A

671 +
2-P.K. Nails

Brace Pole 32.83'



26